

Code: L-16GD

## MONITORS DESK MOUNT L-16GD

Net: 55.57 EUR Gross: 55.57 EUR



Desk mount on a gas spring.

The L-16GD is a mount allowing to install two LCD monitors to the desk or other flat surfaces. The mount enables easy tilt adjustment and horizontal rotation.

### SPECIFICATION

Mounting standard:	VESA : 75, 100
Screen size range:	13 " ... 27 "
Bearing capacity:	2 x 2 ... 6.5 kg
Color:	Black
Tilt adjustment:	-45 ° ... 90 °
Horizontal rotation:	360 °
Rotation in the plane of the screen:	360 ° Pivot
Main features:	<ul style="list-style-type: none"><li>• The gas spring allows smooth and free adjustment in every direction</li><li>• Adjusting the gas spring allows the spring action to be adjusted to the weight of the monitor</li><li>• Fixing to a table top 10-85 mm thick</li><li>• Fixing in the opening of the table top</li><li>• The cable management system allows to hide them inside the mount</li></ul>
Weight:	2.8 kg
Dimensions:	435 ... 500 x 218 ... 468 x 117 mm (for single monitor)
Guarantee:	2 years

### PRESENTATION

DELTA-OPTI Monika Matysiak; <https://www.delta.poznan.pl>  
POL; 60-713 Poznań; Graniczna 10  
e-mail: delta-opti@delta.poznan.pl; tel: +(48) 61 864 69 60



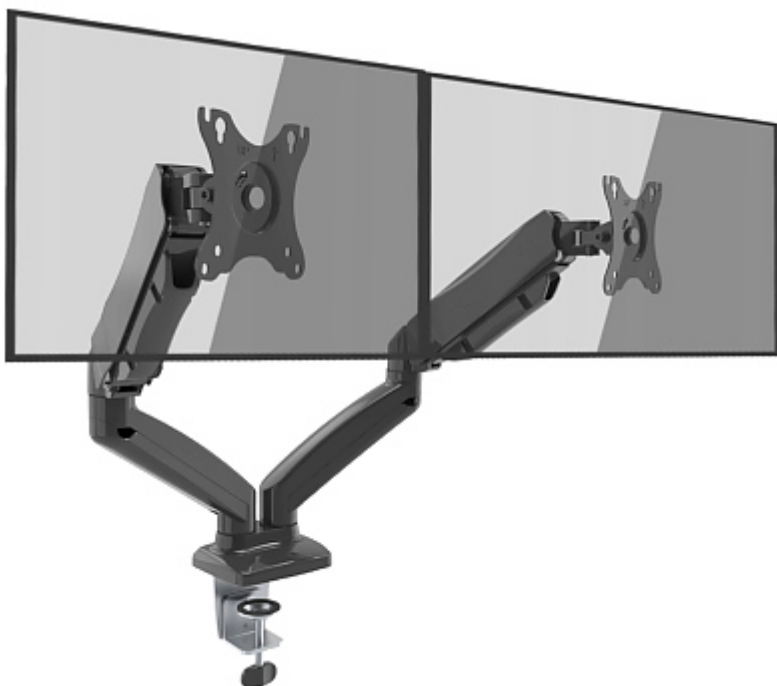
Rear view:



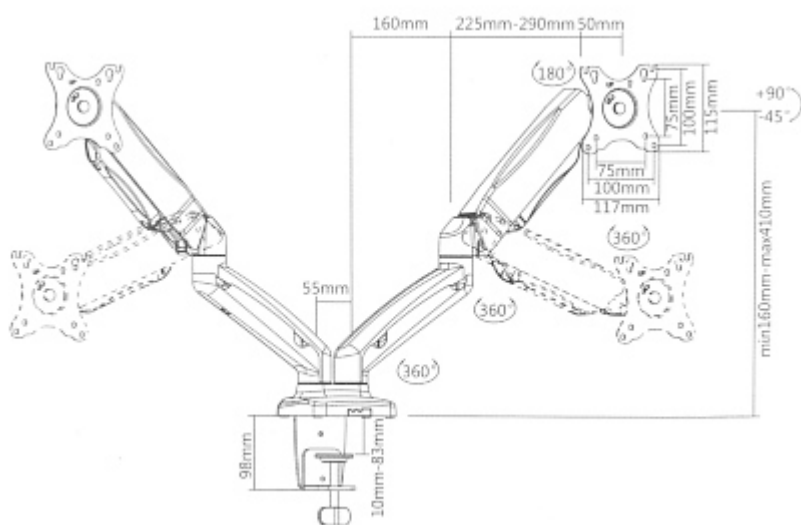
Gas spring adjustment:



Example of application:

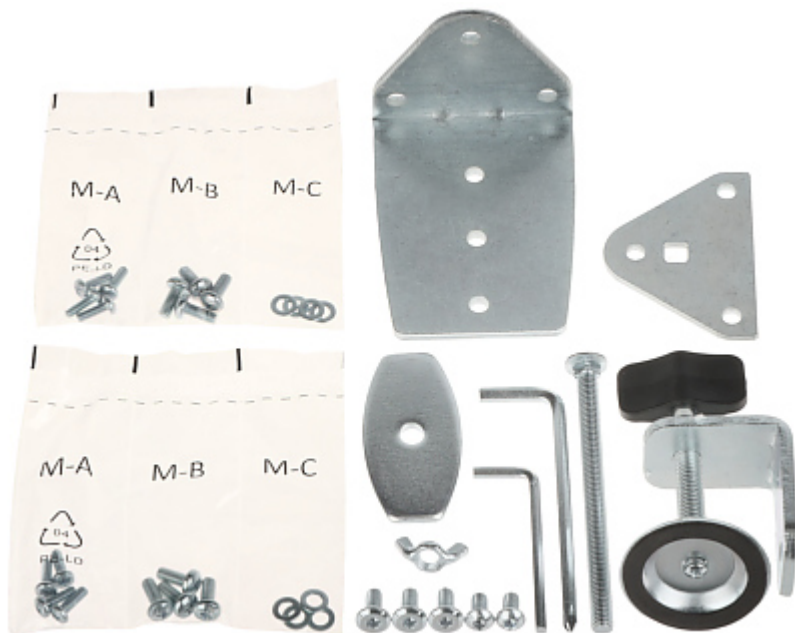


Dimensions:



In the kit:

DELTA-OPTI Monika Matysiak; <https://www.delta.poznan.pl>  
 POL; 60-713 Poznań; Graniczna 10  
 e-mail: delta-opti@delta.poznan.pl; tel: +(48) 61 864 69 60



## OUR OPINIONS



- A slight pressure allows you to set the desired monitor position in which the monitor remains.
- Very easy installation.

## PACKAGE

Dimensions (L x W x H): 0x0x0 mm	Gross Weight: 0 kg
----------------------------------	--------------------

