

Code: PD-660

PROJECTOR MOUNT PD-660

Net: 25.24 EUR Gross: 25.24 EUR

The PD-660 is designed to mount the multimedia projector. The mount enables easy tilt adjustment and horizontal rotation.

Maximal load capacity is 10 kg. It should be mounted on the surface, which construction has to carry the required load, including a wide margin of safety.

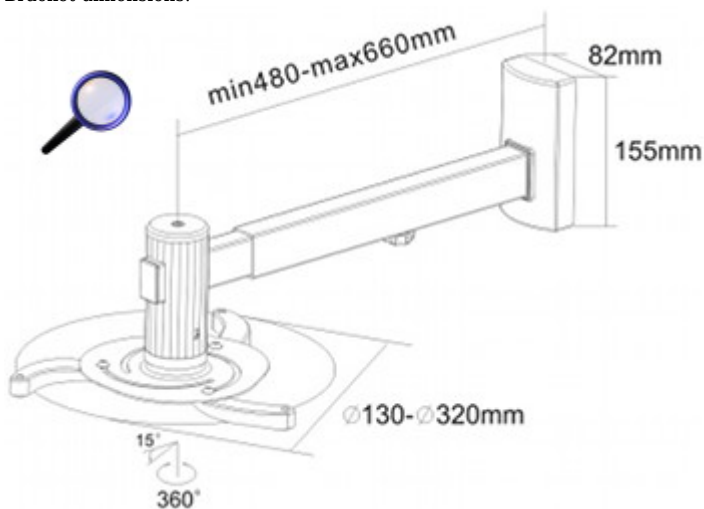


SPECIFICATION

Bearing capacity:	10 kg
Distance from mounting surface:	480 ... 660 mm from wall
Projector mounting holes distances:	Ø 130 ... 320 mm
Color:	Silver
Tilt adjustment:	-15 ° ... 15 °
Horizontal rotation:	360 °
Weight:	2.0 kg
Guarantee:	2 years

PRESENTATION

Bracket dimensions:



Package:



PACKAGE

Dimensions (L x W x H): 0x0x0 mm	Gross Weight: 0 kg
----------------------------------	--------------------