

Code: BRATECK-LPA39-223

TV OR MONITOR MOUNT **BRATECK-LPA39-223**

Net: **26.69 EUR** Gross: **32.83 EUR**

The BRATECK-LPA39-223 mount is intended for hanging a TV or LCD / OLED monitor on the wall.

It allows to easy adjustment of tilt in the range of $\pm 15^\circ$ and to rotate the panel horizontally by the articulated arm with 3 swivels of 180° per each. It is possible to rotate the plane of the screen $\pm 3^\circ$.



SPECIFICATION

Mounting standard:	VESA 75, 100, 200x100, 200
Screen size range:	23 " ... 42 "
Bearing capacity:	35 kg
Distance from mounting surface:	45 ... 508 mm
Color:	Black
Tilt adjustment:	-15° ... 10°
Horizontal rotation:	-90° ... 90°
Rotation in the plane of the screen:	$\pm 3^\circ$
Dimensions:	226 x 229 x (45 ... 508) mm
Weight:	2.7 kg
Guarantee:	2 years

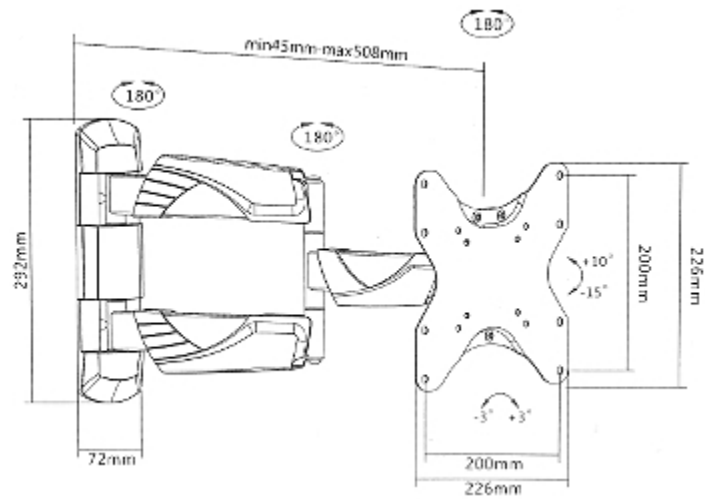
PRESENTATION

Wall mounting side view:



DELTA-OPTI Monika Matysiak; <https://www.delta.poznan.pl>
POL; 60-713 Poznań; Graniczna 10
e-mail: delta-opti@delta.poznan.pl; tel: +(48) 61 864 69 60

Bracket dimensions:



In the kit:



Package:

