

Code: BRATECK-LDT02-C024

## MONITORS DESK MOUNT **BRATECK-LDT02-C024**

Net: **27.76 EUR** Gross: **34.14 EUR**



The BRATECK-LDT02-C024 is a mount allowing to install two LCD monitors to the desk or other flat surfaces. The mount enables easy tilt adjustment and horizontal rotation.

### SPECIFICATION

Mounting standard:	VESA 75x75, 100x100
Screen size range:	13 " ... 23 "
Bearing capacity:	2 x 8 kg
Color:	Silver
Tilt adjustment:	-15 ° ... 15 °
Horizontal rotation:	180 °
Rotation in the plane of the screen:	360 °
Dimensions:	750 x 190 x 550 mm
Weight:	3.73 kg
Guarantee:	2 years

### PRESENTATION

Rear view:

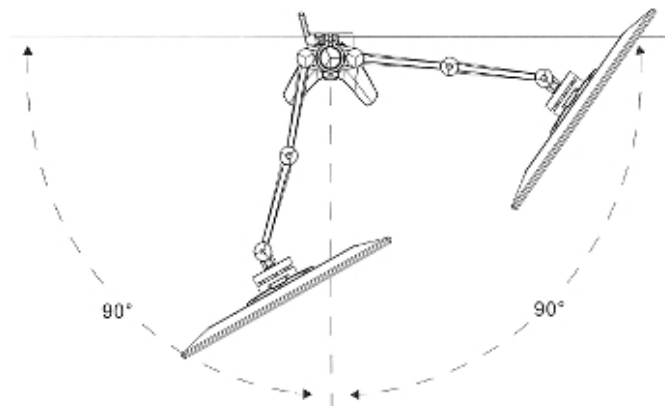
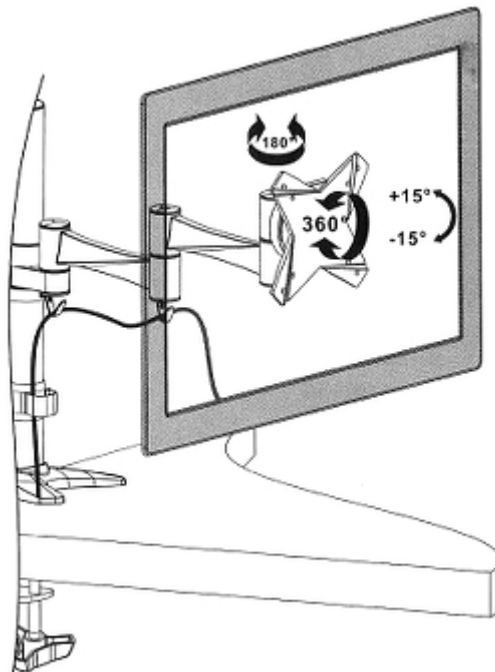


DELTA-OPTI Monika Matysiak; <https://www.delta.poznan.pl>  
POL; 60-713 Poznań; Graniczna 10  
e-mail: [delta-opti@delta.poznan.pl](mailto:delta-opti@delta.poznan.pl); tel: +(48) 61 864 69 60

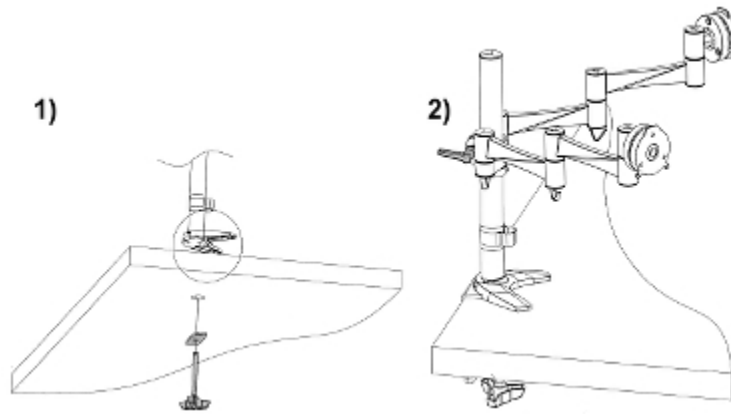
Side view:



Possibility of mount adjustment:



Mounting methods:



Example of application:



In the kit:



Package:

