

Code: MC-515S

## PROJECTOR MOUNT MC-515S

Net: 16.85 EUR Gross: 16.85 EUR

The MC-515S is designed to mount the multimedia projector. The mount enables easy tilt adjustment and horizontal rotation. Possibility to mount under slanted ceiling. Maximal load capacity is 10 kg. It should be mounted on the surface, which construction has to carry the required load, including a wide margin of safety.



### SPECIFICATION

Bearing capacity:	10 kg
Distance from mounting surface:	100 mm or 170 mm from ceiling
Projector mounting holes distances:	Ø 130 ... 320 mm
Color:	Silver
Tilt adjustment:	-15 ° ... 15 °
Horizontal rotation:	360 °
Weight:	0.96 kg
Dimensions:	max. Ø 320 x 170 mm
Guarantee:	2 years

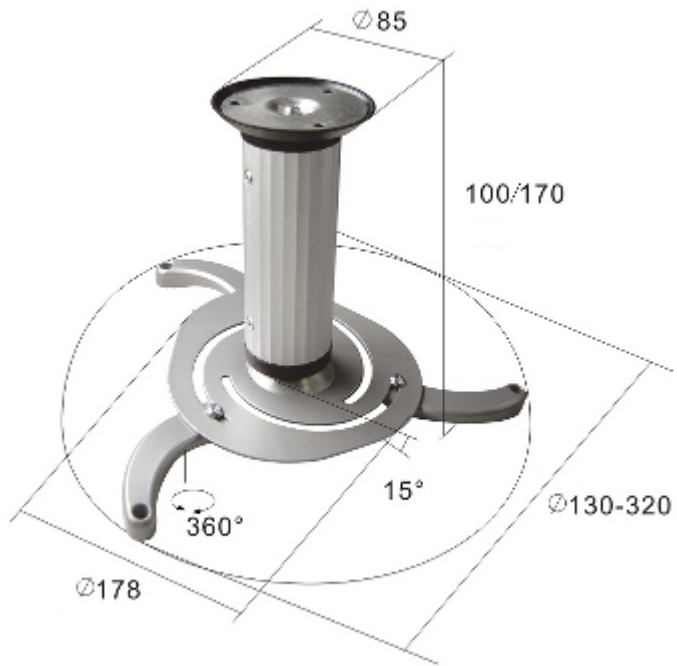
### PRESENTATION

Mount is equipped with 2 connecting pipes with different lengths:

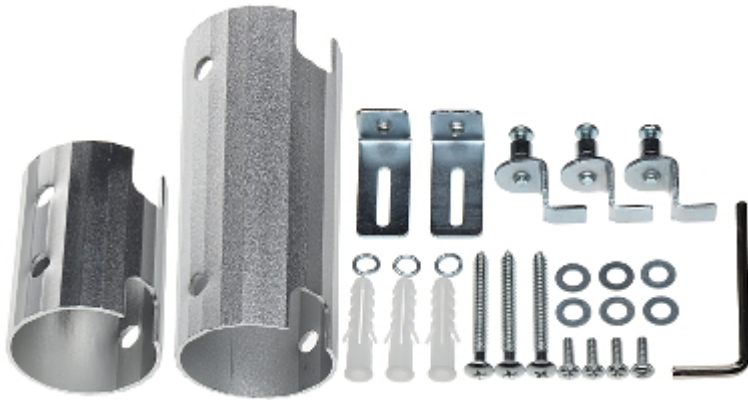


Bracket dimensions:

DELTA-OPTI Monika Matysiak; <https://www.delta.poznan.pl>  
POL; 60-713 Poznań; Graniczna 10  
e-mail: delta-opti@delta.poznan.pl; tel: +(48) 61 864 69 60



In the kit:



**PACKAGE**

Dimensions (L x W x H): 0x0x0 mm

Gross Weight: 0 kg