

Code: AX-RTV1

## MULTIMEDIA SHELF AX-RTV1

Net: 6.57 EUR Gross: 8.08 EUR

The AX-RTV1 shelf is designed to multimedia devices such as: DVD, satellite receiver, etc.

Tempered glass of 5 mm thickness ensures adequate load capacity. The support has been made of aluminum, due to its whole construction of the shelf is light, but at the same time very stable. The position of the glass shelf is adjustable.



### SPECIFICATION

Number of shelves:	1
Bearing capacity:	10 kg
Swivel angle adjustment:	—
Color:	Black
Distance from mounting surface:	3 mm
Weight:	1.33 kg
Dimensions:	300 x 250 x 38 mm
Guarantee:	2 years

### PRESENTATION

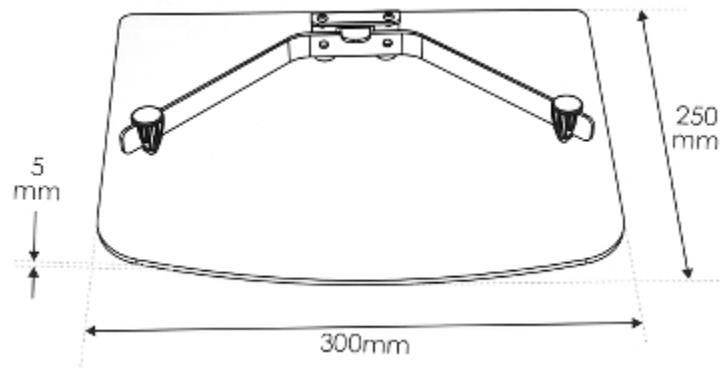
Side view:



Mounting side view:



Dimensions:



Example of application:



In the kit:

