

Code: BS-106S

MONITOR MOUNT **BS-106S**

Net: **28.91 PLN** Gross: **35.56 PLN**

The BS-106S mount has been designed to place a modern LCD monitor on a wall. The bracket is equipped with built-in bubble level tool, which enables precise and quick installation. It should be mounted on the surface, which construction has to carry the required load, including a wide margin of safety. Maximal load capacity is 45 kg.



SPECIFICATION

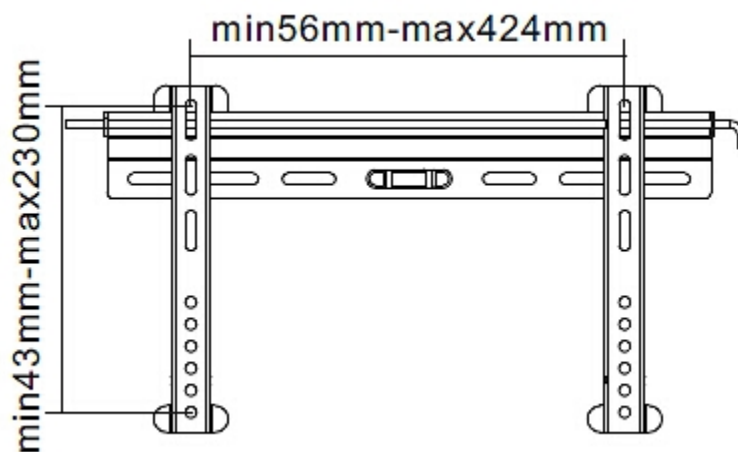
Mounting standard:	VESA : 75, 100, 200, 400 x 200
Screen size range:	23 " ... 42 "
Bearing capacity:	45 kg
Distance from mounting surface:	19 mm from wall
Color:	Black
Tilt adjustment:	—
Horizontal rotation:	—
Rotation in the plane of the screen:	—
Dimensions:	460 x 260 x 19 mm
Weight:	1.45 kg
Guarantee:	2 years

PRESENTATION



DELTA-OPTI Monika Matysiak; <https://www.delta.poznan.pl>
POL; 60-713 Poznań; Graniczna 10
e-mail: delta-opti@delta.poznan.pl; tel: +(48) 61 864 69 60

Bracket dimensions:



In the kit:



Package:

