

Code: BRATECK-PLB-6N

## MONITOR MOUNT **BRATECK-PLB-6N**

Net: **93.00 PLN** Gross: **114.39 PLN**

The BRATECK-PLB-6N mount has been designed to place a modern LCD monitor on a wall. The wall mount allows to easy (without any tools) adjustment of panel tilt angle.



### SPECIFICATION

Mounting standard:	VESA 75, 100, 150, 200, 200x100, 300, 400, 400x200
Screen size range:	26 " ... 47 "
Bearing capacity:	75 kg
Distance from mounting surface:	77 mm
Color:	Black
Tilt adjustment:	-15 ° ... 15 °
Dimensions:	516 x 508 x 77 mm
Weight:	3.11 kg
Guarantee:	2 years

### PRESENTATION

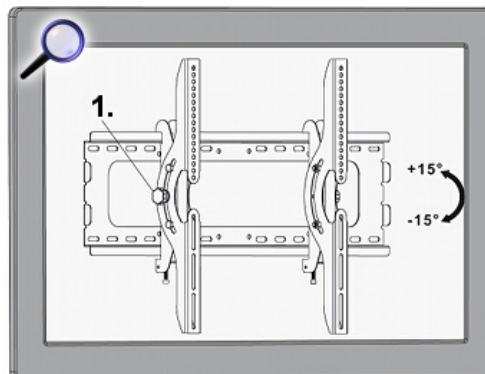
DELTA-OPTI Monika Matysiak; <https://www.delta.poznan.pl>  
POL; 60-713 Poznań; Graniczna 10  
e-mail: [delta-opti@delta.poznan.pl](mailto:delta-opti@delta.poznan.pl); tel: +(48) 61 864 69 60



Wall mounting side view:



Possibility of mount adjustment:



In the kit:



Package:

