

Code: HPSB-12V10A-D

BUFFERED SWITCHING POWER SUPPLY ADAPTER **HPSB-12V10A-D** PULSAR

Net: **82.77 EUR** Gross: **101.81 EUR**



The buffered power supply adapter is designed to powering control panels, sensors, code locks, cameras, consoles, intercoms and other alarm system equipment.

Please pay attention for proper cooling conditions of the power adaptor during work!

SPECIFICATION

| | |
|------------------------------|---|
| Adapter type: | Switching |
| Input voltage: | 200 V ... 240 V AC |
| Output voltage: | 11.0 V ... 13.8 V (buffer operation) |
| Max. output current (total): | 10 A |
| Battery charging current: | 1 A / 4 A |
| Power: | 138 W |
| Number of outputs: | 1 |
| Protections: | <ul style="list-style-type: none">• Short-circuit• Overload• Overvoltage• Tamper• Reverse polarity connection• Discharge |
| Adapter operation control: | <ul style="list-style-type: none">• AC input voltage presence indication AC• DC output voltage presence indication DC• Battery charging |
| Place for battery: | 12V/40Ah |
| Max. battery dimensions: | 325 x 178 x 168 mm |
| Weight: | 4.90 kg |

DELTA-OPTI Monika Matysiak; <https://www.delta.poznan.pl>
POL; 60-713 Poznań; Graniczna 10
e-mail: delta-opti@delta.poznan.pl; tel: +(48) 61 864 69 60

| | |
|-----------------------|--------------------|
| Dimensions: | 335 x 385 x 187 mm |
| Manufacturer / Brand: | PULSAR |
| Guarantee: | 2 years |

PRESENTATION

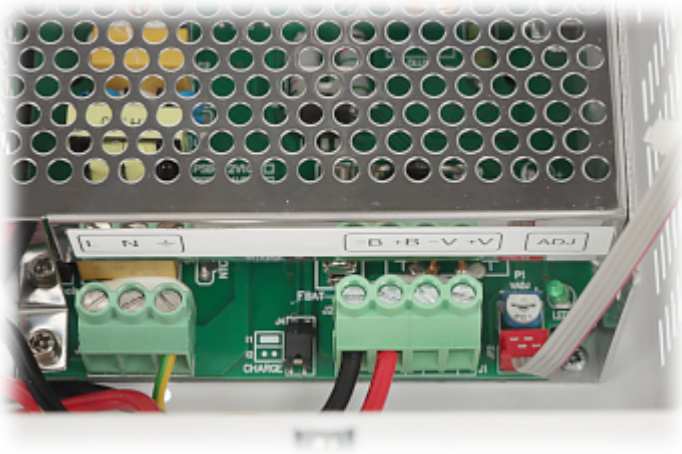
Front view:



Internal view of the housing:



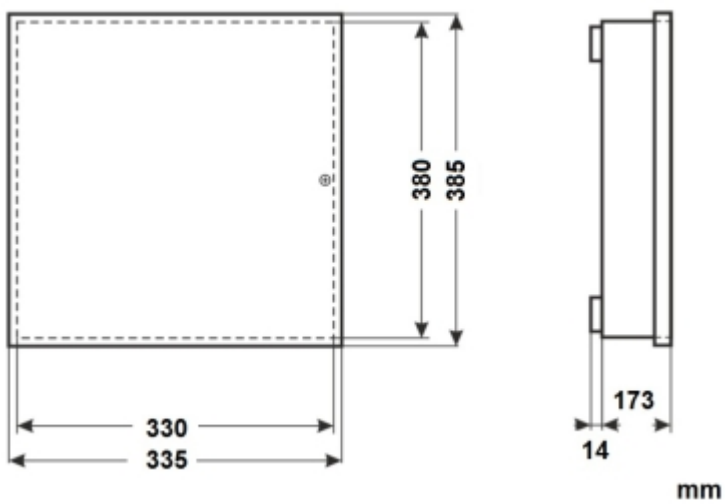
Connectors:



Mounting side view:



Dimensions:



PACKAGE

| | |
|----------------------------------|--------------------|
| Dimensions (L x W x H): 0x0x0 mm | Gross Weight: 0 kg |
|----------------------------------|--------------------|

