

Code: HY-SAV849HA-E

SMOKE SENSING IP CAMERA **HY-SAV849HA-E** - 5 Mpx 2.0 mm DAHUA

Net: 297.97 EUR Gross: 297.97 EUR

The HY-SAV849HA-E device integrates functions of video surveillance and smoke detection, offering a solution for remote fire detection.

With built-in fire detection function, the camera has the ability to detect fire from a long distance. The smoke detector using a photoelectric smoke sensing chamber is supported by an intelligent flame detection algorithm, which ensures higher fire detection efficiency.

The smart algorithm of automatic compensation against dust concentration helps reduce false alarm. Supporting 5 Mpx video output resolution, the camera enables users to pinpoint the fire location.

This device is applicable to most places where both fire alarm and video surveillance are needed, such as: chain stores, unattended base stations, unmanned power distribution rooms, ATM areas, libraries, garbage rooms.



SPECIFICATION

Detection:	smoke
Alarm signaling:	<ul style="list-style-type: none">• LED indicator,• Acoustic (buzzer)
Smoke chamber dirt build-up indication:	—
Power supply:	<ul style="list-style-type: none">• PoE (802.3af)• 12 V DC• 3 V Lithium battery - Battery backup
Current consumption:	<ul style="list-style-type: none">• 30 μA (standby)• 300 mA (camera)
Battery lifetime:	~ 3 years
Main features:	<ul style="list-style-type: none">• Smoke detection : Dual chamber with photoelectric sensor,• Smoke chamber with split-spectrum sensing and the use of an intelligent algorithm effectively eliminate false alarms• Intelligent compensation algorithm relieves the impact of dust accumulation and environment changing on smoke sensing module• Detection : 30 ... 60 m²,• Test mode• Operation status LED indicator• Sound signaling 80 dB / 3 m• Built-in 7 alarm voices and the ability to import the custom ones• Low battery level alarm• Low current consumption• Insect-proof and dust-proof design

IP Camera:

Standard:	TCP/IP
Sensor:	1/2.7 " Progressive Scan CMOS



DELTA-OPTI Monika Matysiak; <https://www.delta.poznan.pl>
POL; 60-713 Poznań; Graniczna 10
e-mail: delta-opti@delta.poznan.pl; tel: +(48) 61 864 69 60

Matrix size:	5 Mpx
Scanning system:	Progressive
Resolution:	2592 x 1944 - 5 Mpx , 2688 x 1520 - 4 Mpx , 2560 x 1440 - 3.7 Mpx , 2304 x 1296 - 3 Mpx , 1920 x 1080 - 1080p
Lens:	2.0 mm / F2.0
View angle:	144 ° (horizontal) 92 ° (vertical)
Range of IR illumination:	20 m
Image compression method:	H.265+ / H.265 / H.264+ / H.264 / H.264H / H.264B
Main stream frame rate:	• 20 fps @ 5 Mpx • 25 fps @ 4 Mpx
RS-485 interface:	✓
Alarm inputs / outputs:	2 / 2
Audio:	<ul style="list-style-type: none"> • Audio input • Microphone built-in • Audio output • Speaker built-in • Bi-directional audio streaming support • Audio detection
Network interface:	10/100 Base-T (RJ-45)
Network protocols:	HTTP, HTTPS, TCP, RTSP, RTP, UDP, RTCP, SMTP, FTP, DHCP, DNS, DDNS, IPv4/IPv6, SNMP, QoS, UPnP, NTP, IEEE 802.1x
Memory card slot:	Micro SD memory cards up to 256GB support (possible local recording)
Mobile phones support:	Port no.: 37777 or access by a cloud (P2P) • Android: Free application DMSS • iOS (iPhone): Free application DMSS
Default IP address:	192.168.1.108
Default admin user / password:	admin / - The administrator password should be set at the first start
Web browser access ports:	80, 37777
PC client access ports:	37777
Mobile client access ports:	37777
Port ONVIF:	80
RTSP URL:	rtsp://admin:hasło@192.168.1.108:554/cam/realmonitor?channel=1&subtype=0 - Main stream rtsp://admin:hasło@192.168.1.108:554/cam/realmonitor?channel=1&subtype=1 - Sub stream
WEB Server:	Built-in
Max. number of on-line users:	10
ONVIF:	✓

Main features:	<ul style="list-style-type: none"> • IVS analysis : Smoke detection, flame detection, abandoned/missing object, fire extinguisher detection • WDR - 90 dB - Wide Dynamic Range • BLC/HLC - Back Light / High Light Compensation • ICR - Movable InfraRed filter • Day/night mode • WB - White Balance (ATW/AWB/manual/indoor/outdoor) • AGC - Automatic Gain Control • 3D-DNR - Digital Noise Reduction • F-DNR (Defog) - Reduction of image noise caused by precipitation • Image rotation and mirror • Privacy zones - max. 8 • Motion Detection • fire detection • Configurable: brightness, contrast, saturation • Possibility to change the resolution, quality and bit rate • Tamper protections
Power supply:	<ul style="list-style-type: none"> • PoE (802.3af), • 12 V DC / 400 mA (power adapter not included)
Power consumption:	<ul style="list-style-type: none"> < 2.1 W @ 12 V DC < 2.0 W @ PoE max. 4.9 W @ 12 V DC (LED IR) max. 4.8 W @ PoE (LED IR)

General information:

Housing:	Compact, Plastic
Color:	White + Black
Vandal-proof:	—
Operation temp:	-10 °C ... 55 °C
Permissible relative humidity:	0 % ... 95 % (non-condensing)
Weight:	0.44 kg
Dimensions:	Ø 120 x 79 mm
Supported languages:	Polish, English, Czech, French, Hebrew, Spanish, Dutch, German, Portuguese, Russian, Romanian, Turkish, Ukrainian, Hungarian, Italian
Manufacturer / Brand:	DAHUA
Guarantee:	3 years

PRESENTATION

Bottom view:





Side view:



Memory card slot and "Reset" button:

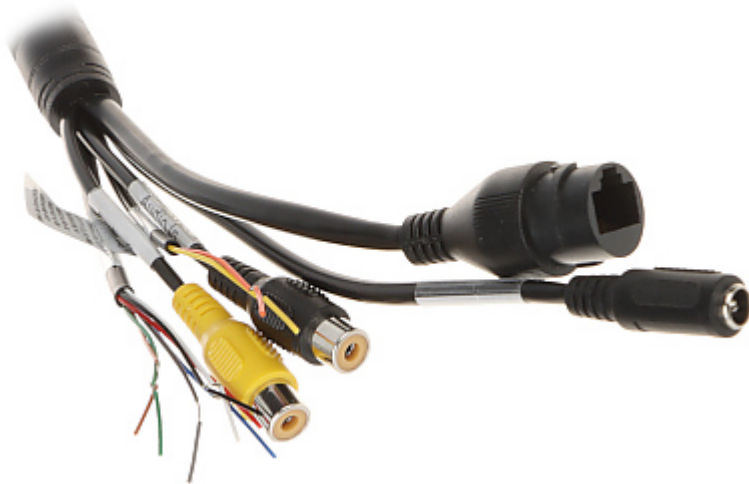




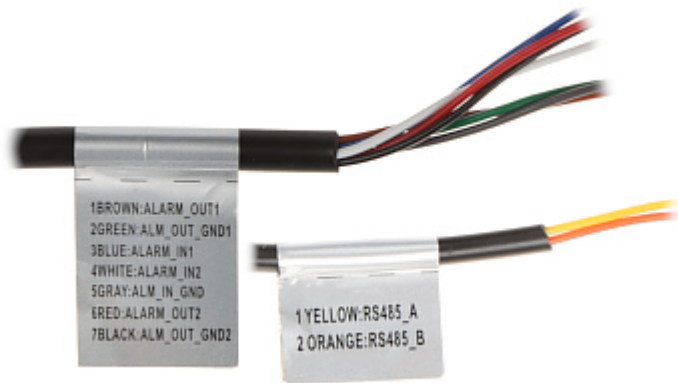
Mounting side view:



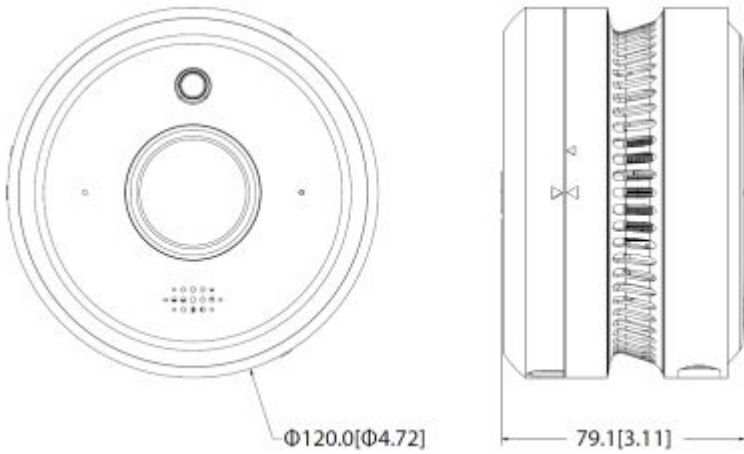
Connectors:



Connectors description:



Camera dimensions:



See how to initialize DAHUA cameras:

:

In the kit:



PACKAGE

Dimensions (L x W x H): 0x0x0 mm

Gross Weight: 0 kg
