

Code: DRL-24V120W-1AS

## SWITCHING ADAPTER **DRL-24V120W-1AS**

Net: **46.62 EUR** Gross: **57.34 EUR**

Switching adapter installed on the TS35/7.5 or 15 DIN rail, resistant to high operation temperatures (up to 70°C).



### SPECIFICATION

Adapter type:	Switching
Power voltage:	85 ... 264 V AC
Output voltage:	24 V DC
Output voltage adjustment:	22 ... 28 V
Voltage tolerance:	± 2 %
Maximal load:	5 A
Output power:	120 W
Number of outputs:	2 pcs
Efficiency:	> 88 %
Housing type:	DIN
MTBF (Mean Time Between Faults):	700 000 hours
Vibration resistance:	IEC60068-2-6, 10 ... 500 Hz max. 2 G for 60 minutes
Protections:	<ul style="list-style-type: none"><li>• Short-circuit</li><li>• Overvoltage</li><li>• Temperature</li><li>• Overload protection</li></ul>
Operation temp. / Relative humidity:	-20 °C ... 70 °C / < 95 %
Weight:	0.54 kg
Dimensions:	40 x 124 x 118 mm

DELTA-OPTI Monika Matysiak; <https://www.delta.poznan.pl>  
POL; 60-713 Poznań; Graniczna 10  
e-mail: [delta-opti@delta.poznan.pl](mailto:delta-opti@delta.poznan.pl); tel: +(48) 61 864 69 60

Guarantee:

5 years

## PRESENTATION

Front panel:



Connectors:



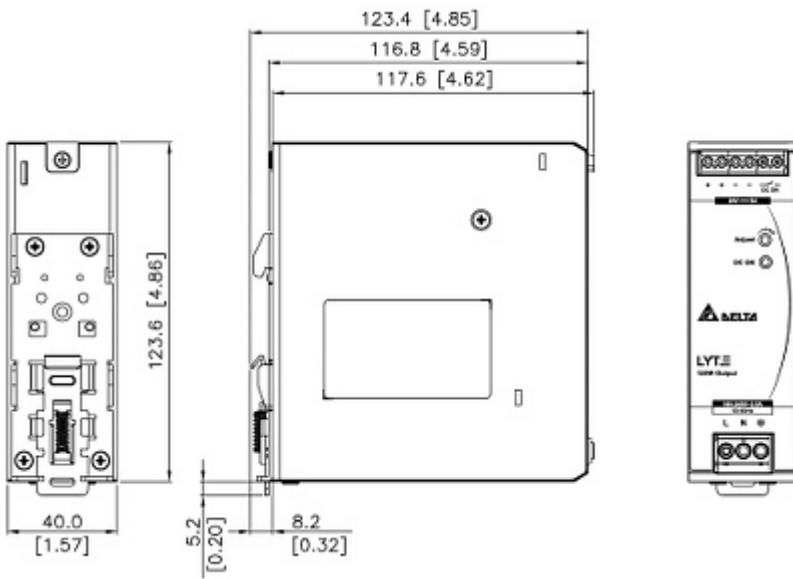


Rear panel (DIN rail installation):





Dimensions:



DELTA-OPTI Monika Matysiak; <https://www.delta.poznan.pl>  
POL; 60-713 Poznań; Graniczna 10  
e-mail: delta-opti@delta.poznan.pl; tel: +(48) 61 864 69 60