

Code: APTI-29V2-28P

IP CAMERA **APTI-29V2-28P** - 1080p 2.8 mm

Net: **56.64 EUR** Gross: **69.67 EUR**

IP camera with efficient H.264 / H.265 image compression algorithm for clear and smooth video streaming at maximal resolution of 1080p. Included camera software enables management and integrated monitoring of many network cameras. Its using allows to create large surveillance system.

ICR - The movable IR filter allows to perfect colors reproduction in daylight and wide gray-scale with high sharpness of the image at night mode.

PoE powering possibility, compatible with the 802.3af standard makes the device more universal and easier to install.



SPECIFICATION

Standard:	TCP/IP
Sensor:	1/2.8 " Sony CMOS IMX290 STARVIS Back-illuminated
Digital Image Processor:	Ambarella S3L33
Matrix size:	2.1 Mpx
Resolution:	1920 x 1080 - 1080p
Lens:	2.8 mm, 3.0 Mpx
View angle:	<ul style="list-style-type: none">• 85 ° (manufacturer data)• 104 ° (our tests result)
Range of IR illumination:	20 m
Image compression method:	H.265 / H.264 / MJPEG
Alarm inputs / outputs:	—
Bitrate:	64 ... 12000 kbps
Main stream frame rate:	max. 30 fps - 1080p
Network interface:	10/100 Base-T (RJ-45)
Network protocols:	TCP/IP, ICMP, HTTP, HTTPS, FTP, DHCP, DNS, DDNS, RTP, RTSP, RTCP, NTP, SMTP
WEB Server:	Built-in
Max. number of on-line users:	10
ONVIF:	2.4

DELTA-OPTI Monika Matysiak; <https://www.delta.poznan.pl>
POL; 60-713 Poznań; Graniczna 10
e-mail: delta-opti@delta.poznan.pl; tel: +(48) 61 864 69 60

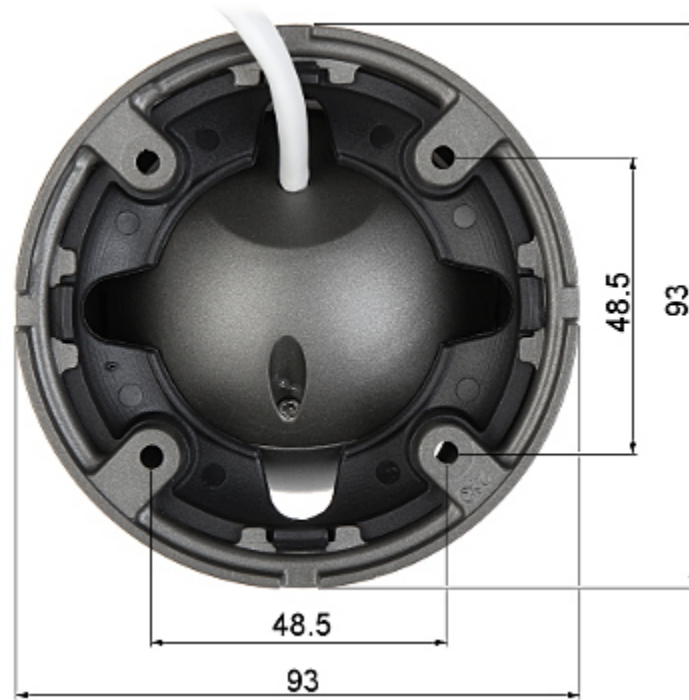
Main features:	<ul style="list-style-type: none"> • HDR (High Dynamic Range) - the wide range of light dynamics provides a very good distinguishing of details on both the light and the dark areas of the image • 3D-DNR - Digital Noise Reduction • ICR - Movable InfraRed filter • ISO+ - improve image quality when working at night conditions with active IR illuminator • Possibility to change the resolution, quality and bit rate • Motion Detection • Privacy zones • Mirror - Mirror image • Day/Night mode - configurable
Mobile phones support:	<ul style="list-style-type: none"> • Port no.: 80 or access by a cloud (P2P) • Android: Free application FREEIP • iOS (iPhone): Free application FREEIP
Default IP address:	192.168.1.168
Default admin user / password:	admin / admin
Web browser access ports:	80
PC client access ports:	80
Mobile client access ports:	80
Port ONVIF:	80
RTSP URL:	<ul style="list-style-type: none"> • rtsp://user:password@ip_address:80/0 - Main stream • rtsp://user:password@ip_address:80/1 - Sub stream
Color:	Graphite
Power supply:	<ul style="list-style-type: none"> • PoE (802.3af), • 12 V DC / 410 mA
Housing:	Dome - Metal
"Index of Protection":	IP66
Operation temp:	-20 °C ... 55 °C
Dimensions:	Ø 93 x 71 mm
Weight:	0.30 kg
Supported languages:	English, Bulgarian, Chinese Traditional, Chinese Simplified, Czech, French, Hebrew, Spanish, Dutch, Japanese, Korean, German, Persian, Polish, Portuguese, Russian, Turkish, Italian
Manufacturer / Brand:	APTI
Guarantee:	2 years

PRESENTATION

Camera is out from clamping ring:



Mounting side view:



STABILIZER POE:



In the kit:



Configuration and operation of the FreeIP cloud:

:

OUR TESTS

Camera image at artificial illumination (about 30Lux):



DELTA-OPTI Monika Matysiak; <https://www.delta.poznan.pl>
POL; 60-713 Poznań; Graniczna 10
e-mail: delta-opti@delta.poznan.pl; tel: +(48) 61 864 69 60

Camera image at night conditions with internal built-in IR illuminator on:



Camera image at direct strong light opposite to camera:

