

Code: DS-2CD2355FWD-I(2.8MM)

IP CAMERA DS-2CD2355FWD-I(2.8MM) - 6.3 Mpx Hikvision

Net: 853.00 PLN Gross: 1 049.19 PLN

IP camera with efficient H.265 / H.264 image compression algorithm for clear and smooth video streaming at maximal resolution of 3072 x 2048 - 6.3 MPx.

PoE powering possibility, compatible with the 802.3af standard makes the device more universal and easier to install.

Camera is according to IP67 Index of Protection norm.



SPECIFICATION

Standard:	TCP/IP
Sensor:	1/2.9 " Progressive Scan CMOS
Matrix size:	6.3 Mpx
Scanning system:	Progressive
Resolution:	3072 x 2048 - 6.3 Mpx , 3072 x 1728 - 5.3 Mpx , 2944 x 1656 - 4.8 Mpx , 2560 x 1440 - 3.7 Mpx , 1920 x 1080 - 1080p , 1280 x 720 - 720p
Lens:	2.8 mm
View angle:	<ul style="list-style-type: none">• 97 ° (manufacturer data)• 93 ° (our tests result)
Range of IR illumination:	30 m
S/N ratio:	> 50 dB
Memory card slot:	Micro SD memory cards up to 128GB support (possible local recording)
Image compression method:	H.265 / H.265+ / H.264+ / H.264 / MJPEG
Alarm inputs / outputs:	—
Audio:	—
Bitrate:	32 kb/s ... 16384 kb/s

DELTA-OPTI Monika Matysiak; <https://www.delta.poznan.pl>
POL; 60-713 Poznań; Graniczna 10
e-mail: delta-opti@delta.poznan.pl; tel: +(48) 61 864 69 60

Main stream frame rate:	20 fps @ 6.3 Mpx 25 fps @ 3.7 Mpx
Network interface:	10/100 Base-T (RJ-45)
Network protocols:	TCP, UDP, ICMP, HTTP, HTTPS, FTP, DHCP, DNS, DDNS, RTP, RTSP, RTCP, PPPoE, NTP, UPnP, SMTP, SNMP, IGMP, IEEE 802.1x, QoS, IPv4/IPv6
WEB Server:	Built-in
Max. number of on-line users:	6
ONVIF:	16.12
Main features:	<ul style="list-style-type: none"> • WDR - 120 dB - Wide Dynamic Range • 3D-DNR - Digital Noise Reduction • ROI - improve the quality of selected parts of image • EXIR - high-efficiency infrared LEDs technology, which evenly covers the whole plan of both central vantage points of the scene as well as the corners • ICR - Movable InfraRed filter • BLC/HLC - Back Light / High Light Compensation • Possibility to change the resolution, quality and bit rate • Configurable Privacy Zones • Motion Detection • Mirror - Mirror image • Intelligent Image Analysis : crossing the line (tripwire), intrusion, abandoned/missing object, scene changing, face detection
Mobile phones support:	Port no.: 8000 or access by a cloud (P2P) <ul style="list-style-type: none"> • Android: Free application iVMS-4500 or Hik-Connect • iOS (iPhone): Free application iVMS-4500 or Hik-Connect
Default IP address:	192.168.1.64
Default admin user / password:	admin / - The administrator password should be set at the first start
Web browser access ports:	80
PC client access ports:	Port no.: 8000 or access by a cloud (P2P) - iVMS-4200 application
Mobile client access ports:	8000
Port ONVIF:	80
RTSP URL:	<ul style="list-style-type: none"> • Main stream rtsp://192.168.1.64:554/Streaming/Channels/101/ - RTSP - without authorization rtsp://user:password@192.168.1.64:554/Streaming/Channels/101/ - with authorization • Sub stream rtsp://192.168.1.64:554/Streaming/Channels/102/ - RTSP - without authorization rtsp://user:password@192.168.1.64:554/Streaming/Channels/102/ - with authorization
Power supply:	<ul style="list-style-type: none"> • PoE (802.3af), • 12 V DC / 460 mA
Power consumption:	$\leq 7.5 \text{ W @ PoE (802.3af)}$ $\leq 5.5 \text{ W @ 12 V DC}$
Housing:	Dome, Metal
Color:	White
"Index of Protection":	IP67
Vandal-proof:	—
Operation temp:	-30 °C ... 60 °C
Weight:	0.6 kg
Dimensions:	Ø 127 x 96 mm
Supported languages:	Polish, English, Bulgarian, Croatian, Czech, Danish, Estonian, Finnish, French, Greek, Spanish, Dutch, Lithuanian, Latvian, German, Norwegian, Portuguese, Russian, Romanian, Serbian, Slovak, Slovenian, Swedish, Turkish, Hungarian, Vietnamese, Italian



Manufacturer / Brand:	Hikvision
SAP Code:	300820350
Guarantee:	3 years

PRESENTATION

Camera is out from clamping ring:



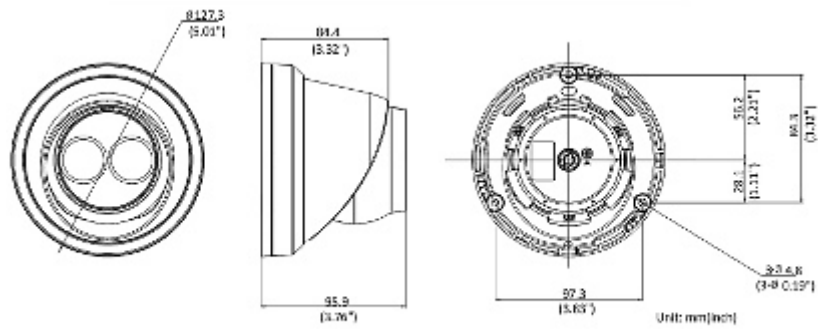
Memory card slot:



Mounting side view:



Dimensions:



In the kit:



OUR TESTS

Camera image at artificial illumination (about 30Lux):



Camera image at night conditions with internal built-in IR illuminator on:



Camera image at direct strong light opposite to camera:

