

Code: DS-2CD1323G0-I(2.8MM)

IP CAMERA **DS-2CD1323G0-I(2.8MM)** - 1080p Hikvision


Net: **519.00 PLN** Gross: **638.37 PLN**



IP PTZ camera with efficient H.265 / H.264 image compression algorithm for clear and smooth video streaming at max. resolution of 1080p.
PoE powering possibility, compatible with the 802.3af standard makes the device more universal and easier to install.

SPECIFICATION

Standard:	TCP/IP
Sensor:	1/2.8 " Progressive Scan CMOS
Scanning system:	Progressive
Matrix size:	2.1 Mpx
Resolution:	1920 x 1080 - 1080p , 1280 x 960 - 1.3 Mpx 1280 x 720 - 720p
Lens:	2.8 mm
View angle:	• 103 ° (manufacturer data) • 110 ° (our tests result)
Range of IR illumination:	30 m
Memory card slot:	<input type="checkbox"/>
Image compression method:	H.265 / H.265+ / H.264 / H.264+ / MJPEG
Alarm inputs / outputs:	<input type="checkbox"/>
Audio:	<input type="checkbox"/>
Bitrate:	32 ... 8192 kbps
Main stream frame rate:	25 fps @ 1080p
Network interface:	10/100 Base-T (RJ-45)

Network protocols:	TCP/IP, ICMP, HTTP, HTTPS, FTP, DHCP, DNS, DDNS, RTP, RTSP, RTCP, NTP, UPnP, SMTP, IGMP, IEEE 802.1x, QoS, IPv6, UDP, Bonjour
WEB Server:	Built-in
Max. number of on-line users:	6
ONVIF:	16.12
Main features:	<ul style="list-style-type: none"> • 3D-DNR - Digital Noise Reduction • D-WDR - Wide Dynamic Range • EXIR - high-efficiency infrared LEDs technology, which evenly covers the whole plan of both central vantage points of the scene as well as the corners • ROI - improve the quality of selected parts of image • Anti-Flicker - The technology eliminates the tiring eyes flickering image effect • BLC - Back Light Compensation • Possibility to change the resolution, quality and bit rate • Mirror - Mirror image • Motion Detection • Configurable Privacy Zones • Sharpness - sharper image outlines
Mobile phones support:	Port no.: 8000 or access by a cloud (P2P) <ul style="list-style-type: none"> • Android: Darmowa aplikacja iVMS-4500 or Hik-Connect • iOS (iPhone): Darmowa aplikacja iVMS-4500 or Hik-Connect
Default IP address:	192.168.1.64
Default admin user / password:	admin / - The administrator password should be set at the first start
Web browser access ports:	80
PC client access ports:	Port no.: 8000 or access by a cloud (P2P) - iVMS-4200 application
Mobile client access ports:	8000
Port ONVIF:	80
RTSP URL:	<ul style="list-style-type: none"> • Main stream rtsp://192.168.1.64:554/Streaming/Channels/101/ - RTSP - without authorization rtsp://user:password@192.168.1.64:554/Streaming/Channels/101/ - with authorization • Sub stream rtsp://192.168.1.64:554/Streaming/Channels/102/ - RTSP - without authorization rtsp://user:password@192.168.1.64:554/Streaming/Channels/102/ - with authorization
Power supply:	<ul style="list-style-type: none"> • PoE (802.3af), • 12 V DC / 420 mA
Power consumption:	$\leq 7 \text{ W @ PoE}$ $\leq 5 \text{ W @ 12 V DC}$
Housing:	Dome, Aluminum / Plastic
Color:	White
"Index of Protection":	IP67
Vandal-proof:	
Operation temp:	-30 °C ... 50 °C
Weight:	0.35 kg
Dimensions:	Ø 110 x 93 mm
Supported languages:	English
Manufacturer / Brand:	Hikvision
SAP Code:	311302584
Guarantee:	3 years

PRESENTATION



DELTA-OPTI Monika Matysiak; <https://www.delta.poznan.pl>
 POL; 60-713 Poznań; Graniczna 10
 e-mail: delta-opti@delta.poznan.pl; tel: +(48) 61 864 69 60

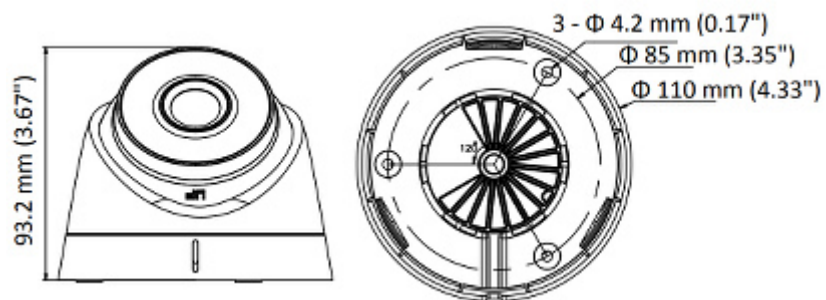
Camera is out from clamping ring:



Mounting side view:



Camera dimensions:



In the kit:



OUR TESTS

Camera image at artificial illumination (about 30Lux):



Camera image at night conditions with internal built-in IR illuminator on:



Camera image at direct strong light opposite to camera:





DELTA-OPTI Monika Matysiak; <https://www.delta.poznan.pl>
POL; 60-713 Poznań; Graniczna 10
e-mail: delta-opti@delta.poznan.pl; tel: +(48) 61 864 69 60