

Code: DS-2CD2345G0P-I(1.68mm)

IP CAMERA **DS-2CD2345G0P-I(1.68mm)** - 4 Mpx Hikvision

Net: **258.50 EUR** Gross: **317.96 EUR**

IP camera with efficient H.264 / H.265 image compression algorithm for clear and smooth video streaming at maximal resolution of 4 MPx.

Thanks to its unique design, the camera has a 180° viewing angle. PoE powering possibility, compatible with the 802.3af standard makes the device more universal and easier to install.

Device is designed for indoor use only.



SPECIFICATION

Standard:	TCP/IP
Sensor:	1/2.7 " Progressive Scan CMOS
Matrix size:	4 Mpx
Scanning system:	Progressive
Resolution:	2688 x 1520 - 4 Mpx , 2304 x 1296 - 3 Mpx , 1920 x 1080 - 1080p , 1280 x 720 - 720p
Lens:	1.68 mm
View angle:	180 °
Range of IR illumination:	10 m
RS-485 interface:	—
Memory card slot:	Micro SD memory cards up to 256GB support (possible local recording)
Image compression method:	H.265+ / H.265 / H.264+ / H.264 / MJPEG
Alarm inputs / outputs:	—
Audio:	—
Main stream frame rate:	25 fps @ 4 Mpx
Network interface:	10/100 Base-T (RJ-45)

DELTA-OPTI Monika Matysiak; <https://www.delta.poznan.pl>
POL; 60-713 Poznań; Graniczna 10
e-mail: delta-opti@delta.poznan.pl; tel: +(48) 61 864 69 60

Network protocols:	TCP/IP, ICMP, HTTP, HTTPS, FTP, DHCP, DNS, DDNS, RTP, RTSP, PPPoE, NTP, UPnP, SMTP, SNMP, IGMP, IEEE 802.1x, QoS, IPv6, Bonjour, SSL / TLS
WEB Server:	Built-in
Max. number of on-line users:	6
ONVIF:	18.12
Main features:	<ul style="list-style-type: none"> • WDR - 120 dB - Wide Dynamic Range • 3D-DNR - Digital Noise Reduction • ROI - improve the quality of selected parts of image • EXIR - high-efficiency infrared LEDs technology, which evenly covers the whole plan of both central vantage points of the scene as well as the corners • BLC - Back Light Compensation • HLC - High Light Compensation (spot) • Anti-Flicker - The technology eliminates the tiring eyes flickering image effect • Possibility to change the resolution, quality and bit rate • ICR - Movable InfraRed filter • Motion Detection • Configurable Privacy Zones • Mirror - Mirror image • Intelligent Image Analysis : crossing the line (tripwire), intrusion, abandoned/missing object, detection of entry into the area / exit from the area, scene changing, face detection
Mobile phones support:	Port no.: 8000 or access by a cloud (P2P) <ul style="list-style-type: none"> • Android: Free application iVMS-4500 or Hik-Connect • iOS (iPhone): Free application iVMS-4500 or Hik-Connect
Default IP address:	192.168.1.64
Default admin user / password:	admin / - The administrator password should be set at the first start
Web browser access ports:	80
PC client access ports:	Port no.: 8000 or access by a cloud (P2P) - iVMS-4200 application
Mobile client access ports:	8000
Port ONVIF:	80
RTSP URL:	<ul style="list-style-type: none"> • Main stream : rtsp://user:password@192.168.1.64:554/Streaming/Channels/101/ - with authorization • Sub stream : rtsp://user:password@192.168.1.64:554/Streaming/Channels/102/ - with authorization
Power supply:	<ul style="list-style-type: none"> • PoE (802.3af), • 12 V DC / 490 mA
Power consumption:	$\leq 6.8 \text{ W @ PoE (802.3af)}$ $\leq 5.8 \text{ W @ 12 V DC}$
Housing:	Dome, Metal + Plastic
Color:	White
"Index of Protection":	IP40
Vandal-proof:	—
Operation temp:	-10 °C ... 40 °C
Dimensions:	Ø 127 x 104 mm
Weight:	0.51 kg
Supported languages:	Polish, English, Bulgarian, Croatian, Czech, Danish, Estonian, Finnish, French, Greek, Spanish, Dutch, Lithuanian, Latvian, German, Norwegian, Portuguese, Russian, Romanian, Serbian, Slovak, Slovenian, Swedish, Turkish, Hungarian, Vietnamese, Italian
Manufacturer / Brand:	Hikvision
SAP Code:	311309711
Guarantee:	3 years



PRESENTATION

Camera is out from clamping ring:



Memory card slot:

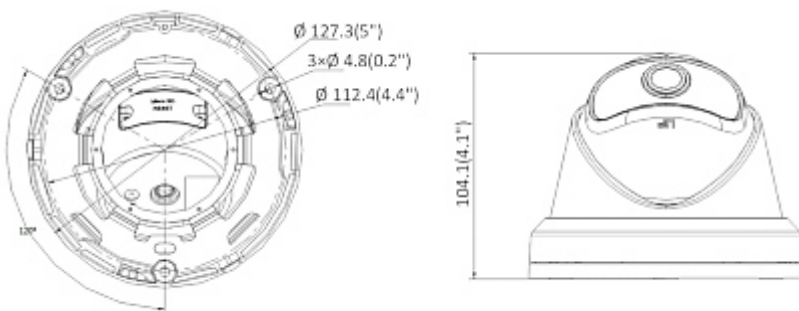


Mounting side view:





Dimensions:



In the kit:



OUR TESTS

Camera image at artificial illumination (about 30Lux):



Camera image at night conditions with internal built-in IR illuminator on:



Camera image at direct strong light opposite to camera:



OUR OPINIONS



- The camera is equipped with a sensor with very high sensitivity, dedicated to work in poor light conditions.

