

Code: DS-2CD2343G2-IU(2.8mm)

IP CAMERA **DS-2CD2343G2-IU(2.8mm)** - 4 Mpx Hikvision

Net: **206.13 EUR** Gross: **253.54 EUR**



IP camera with efficient H.264 / H.265 image compression algorithm for clear and smooth video streaming at maximal resolution of 4 MPx.

PoE powering possibility, compatible with the 802.3af standard makes the device more universal and easier to install.

SPECIFICATION

Standard:	TCP/IP
Sensor:	1/3 " Progressive Scan CMOS
Matrix size:	4.1 Mpx
Scanning system:	Progressive
Resolution:	2688 x 1520 - 4 Mpx , 1920 x 1080 - 1080p , 1280 x 720 - 720p
Lens:	2.8 mm
View angle:	<ul style="list-style-type: none">• 103 ° (manufacturer data)• 100 ° (our tests result)
Range of IR illumination:	30 m
RS-485 interface:	—
Image compression method:	H.265+ / H.265 / H.264+ / H.264 / MJPEG
Alarm inputs / outputs:	—
Audio:	Microphone built-in
Memory card slot:	Micro SD memory cards up to 256GB support (possible local recording)
Main stream frame rate:	25 fps @ 4 Mpx
Network interface:	10/100 Base-T (RJ-45)
Network protocols:	TCP/IP, ICMP, HTTP, HTTPS, FTP, DHCP, DNS, DDNS, RTP, RTSP, NTP, UPnP, SMTP, IGMP, IEEE 802.1x, QoS, IPv6, UDP, Bonjour, SSL / TLS, PPPoE
WEB Server:	Built-in

DELTA-OPTI Monika Matysiak; <https://www.delta.poznan.pl>
POL; 60-713 Poznań; Graniczna 10
e-mail: delta-opti@delta.poznan.pl; tel: +(48) 61 864 69 60

Max. number of on-line users:	6
ONVIF:	18.12
Mobile phones support:	Port no.: 8000 or access by a cloud (P2P) <ul style="list-style-type: none"> • Android: Free application iVMS-4500 or Hik-Connect • iOS (iPhone): Free application iVMS-4500 or Hik-Connect
Default admin user / password:	admin / - The administrator password should be set at the first start
Default IP address:	192.168.1.64
Web browser access ports:	80
PC client access ports:	Port no.: 8000 or access by a cloud (P2P) - iVMS-4200 application
Mobile client access ports:	8000
Port ONVIF:	80
RTSP URL:	<ul style="list-style-type: none"> • Main stream rtsp://user:password@192.168.1.64:554/Streaming/Channels/101/ • Sub stream rtsp://user:password@192.168.1.64:554/Streaming/Channels/102/
Main features:	<ul style="list-style-type: none"> • Camera from AcuSense series • WDR - 120 dB - Wide Dynamic Range • 3D-DNR - Digital Noise Reduction • BLC/HLC - Back Light / High Light Compensation • ROI - improve the quality of selected parts of image • Anti-Flicker - The technology eliminates the tiring eyes flickering image effect • ANR - Automatic Network Replenishment allows to save image to the card when the network connection with DVR is break (network failure) and next synchronize its • Day/night mode • ICR - Movable InfraRed filter • WB - White Balance • AGC - Automatic Gain Control • Possibility to change the resolution, quality and bit rate • Sharpness - sharper image outlines • Mirror - Mirror image • Configurable Privacy Zones • Motion Detection • Filtering of false alarms based on the recognition of persons and vehicles • Intelligent Image Analysis : intrusion, crossing the line (tripwire), face detection
Power supply:	<ul style="list-style-type: none"> • PoE (802.3af), • 12 V DC / 500 mA
Power consumption:	<ul style="list-style-type: none"> ≤ 7 W @ PoE (802.3af) ≤ 6 W @ 12 V DC
Housing:	Dome, Metal
Vandal-proof:	—
Color:	White
"Index of Protection":	IP67
Operation temp:	-30 °C ... 60 °C
Weight:	0.61 kg
Dimensions:	Ø 127 x 96 mm
Supported languages:	Polish, English, Bulgarian, Croatian, Czech, Danish, Estonian, Finnish, French, Greek, Spanish, Dutch, Lithuanian, Latvian, German, Norwegian, Portuguese, Russian, Romanian, Serbian, Slovak, Slovenian, Swedish, Turkish, Ukrainian, Hungarian, Italian
Manufacturer / Brand:	Hikvision
SAP Code:	311313526
Guarantee:	3 years

PRESENTATION



DELTA-OPTI Monika Matysiak; <https://www.delta.poznan.pl>
POL; 60-713 Poznań; Graniczna 10
e-mail: delta-opti@delta.poznan.pl; tel: +(48) 61 864 69 60

Camera is out from clamping ring:



Memory card slot:

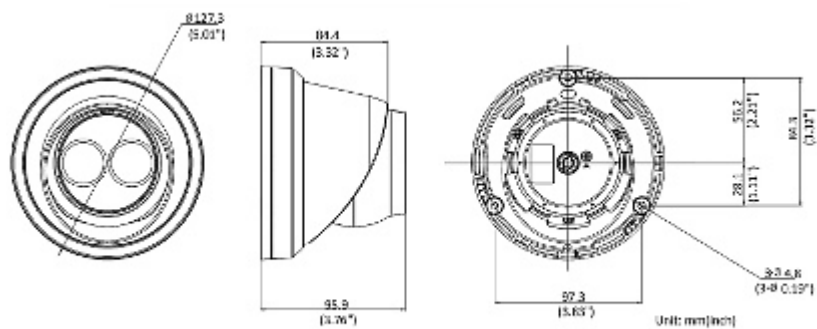


Camera mounting side view:



Dimensions:

DELTA-OPTI Monika Matysiak; <https://www.delta.poznan.pl>
POL; 60-713 Poznań; Graniczna 10
e-mail: delta-opti@delta.poznan.pl; tel: +(48) 61 864 69 60



In the kit:



OUR TESTS

Camera image at artificial illumination (about 30Lux):



Camera image at night conditions with internal built-in IR illuminator on:



Camera image at direct strong light opposite to camera:

