

Code: IPC-T124-PF40

IP CAMERA **IPC-T124-PF40** - 3.7 Mpx 4 mm UNIARCH

Net: **47.89 EUR** Gross: **58.90 EUR**



IP camera with efficient H.265 / H.264 image compression algorithm for clear and smooth video streaming at maximal resolution of 4 MPx.

PoE powering possibility, compatible with the 802.3af standard makes the device more universal and easier to install. The range of IR illumination according to the manufacturer data, depends on outer conditions (visibility - air transparency, environment, wall colors ie. scene reflectance).

The UNIARCH series product has been designed to maximum cost reduction while maintaining high quality and ease of use.

SPECIFICATION

Standard:	TCP/IP
Sensor:	1/2.7 " Progressive Scan CMOS
Matrix size:	4 Mpx
Scanning system:	Progressive
Resolution:	2560 x 1440 - 3.7 Mpx , 1920 x 1080 - 1080p
Lens:	4 mm
View angle:	<ul style="list-style-type: none">• 87 ° (manufacturer data)• 84 ° (our tests result)
Range of IR illumination:	30 m
S/N ratio:	> 52 dB
RS-485 interface:	—
Memory card slot:	—
Image compression method:	Ultra 265 / H.265 / H.264 / MJPEG
Alarm inputs / outputs:	—
Audio:	—
Main stream frame rate:	20 fps @ 4 Mpx 20 fps @ 1080p
Network interface:	10/100 Base-T (RJ-45)

DELTA-OPTI Monika Matysiak; <https://www.delta.poznan.pl>
POL; 60-713 Poznań; Graniczna 10
e-mail: delta-opti@delta.poznan.pl; tel: +(48) 61 864 69 60

Network protocols:	IPv4, IGMP, ICMP, ARP, TCP, UDP, DHCP, RTP, RTSP, RTCP, DNS, DDNS, NTP, FTP, UPnP, HTTP, HTTPS, SMTP, SSL, QoS, RTMP
WEB Server:	Built-in
Max. number of on-line users:	10
ONVIF:	✓
Mobile phones support:	Access by a cloud (P2P) <ul style="list-style-type: none"> • Android: Free application Uniarch • iOS (iPhone): Free application Uniarch
Default IP address:	DHCP or 192.168.1.13
Default admin user / password:	admin / 123456
Web browser access ports:	80, 554
PC client access ports:	Port no.: 80 or access by a cloud (P2P) - PC: Free application Uniarch Client
Mobile client access ports:	80
Port ONVIF:	80
RTSP URL:	rtsp://192.168.1.13:554/unicast/c1/s0/live - Main stream rtsp://192.168.1.13:554/unicast/c1/s1/live - Sub stream
Main features:	<ul style="list-style-type: none"> • 2D-DNR, 3D-DNR - Digital Noise Reduction • D-WDR - Wide Dynamic Range • F-DNR (Defog) - Reduction of image noise caused by precipitation • ROI - improve the quality of selected parts of image • BLC/HLC - Back Light / High Light Compensation • Possibility to change the resolution, quality and bit rate • Motion Detection • Configurable Privacy Zones • Mirror - Mirror image
Power supply:	<ul style="list-style-type: none"> • PoE (802.3af), • 12 V DC / 380 mA
Power consumption:	≤ 4.5 W
Housing:	Dome - Plastic + Metal
Color:	White
"Index of Protection":	IP67
Vandal-proof:	—
Operation temp:	-30 °C ... 60 °C
Weight:	0.26 kg
Dimensions:	Ø 118 x 97 mm
Supported languages:	Polish, English, German, Portuguese, Spanish, Slovenian, Dutch, Czech, French, Italian, Hungarian
Manufacturer / Brand:	UNIVIEW / UNIARCH
Guarantee:	3 years

PRESENTATION

Internal view of the housing:



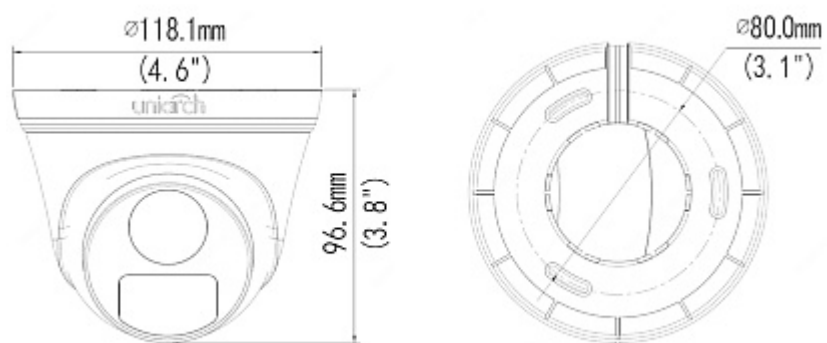
DELTA-OPTI Monika Matysiak; <https://www.delta.poznan.pl>
POL; 60-713 Poznań; Graniczna 10
e-mail: delta-opti@delta.poznan.pl; tel: +(48) 61 864 69 60



Mounting side view:



Camera dimensions:



In the kit:



OUR TESTS

Camera image at artificial illumination (about 30Lux):



Camera image at night conditions with internal built-in IR illuminator on:



Camera image at direct strong light opposite to camera:



OUR OPINIONS



- The camera is very easy to configure, and after plugging into the switch built in the Uniarch recorder, it configures and starts automatically.
- First real IP plug and play.
- Very extensive software for iOS.



DELTA-OPTI Monika Matysiak; <https://www.delta.poznan.pl>
POL; 60-713 Poznań; Graniczna 10
e-mail: delta-opti@delta.poznan.pl; tel: +(48) 61 864 69 60