

Code: DS-2CD2383G2-I(2.8MM)

IP CAMERA **DS-2CD2383G2-I(2.8MM)** - 8.3 Mpx, 4K UHD Hikvision

Net: **308.66 EUR** Gross: **308.66 EUR**

IP camera with efficient H.264 / H.265 image compression algorithm for clear and smooth video streaming at maximal resolution of 8.3 MPx, 4K UHD.

PoE powering possibility, compatible with the 802.3af standard makes the device more universal and easier to install.



SPECIFICATION

Standard:	TCP/IP
Sensor:	1/2.8 " Progressive Scan CMOS
Matrix size:	8.3 Mpx
Resolution:	3840 x 2160 - 8.3 Mpx, 4K UHD , 3200 x 1800 - 5.7 Mpx , 2688 x 1520 - 4 Mpx , 1920 x 1080 - 1080p , 1280 x 720 - 720p
Lens:	2.8 mm
View angle:	• 107 ° (manufacturer data) • 104 ° (our tests result)
Range of IR illumination:	30 m
RS-485 interface:	—
Image compression method:	H.265+ / H.265 / H.264+ / H.264 / MJPEG
Alarm inputs / outputs:	—
Audio:	—
Memory card slot:	Micro SD memory cards up to 256GB support (possible local recording)
Main stream frame rate:	20 fps @ 8.3 Mpx 25 fps @ 5.7 Mpx
Network interface:	10/100 Base-T (RJ-45)

DELTA-OPTI Monika Matysiak; <https://www.delta.poznan.pl>
POL; 60-713 Poznań; Graniczna 10
e-mail: delta-opti@delta.poznan.pl; tel: +(48) 61 864 69 60

Network protocols:	TCP/IP, ICMP, HTTP, HTTPS, FTP, DHCP, DNS, DDNS, RTP, RTSP, NTP, UPnP, SMTP, IGMP, IEEE 802.1x, QoS, IPv4, IPv6, UDP, Bonjour, SSL / TLS, PPPoE, SNMP
WEB Server:	Built-in
Max. number of on-line users:	6
ONVIF:	18.12
Mobile phones support:	Port no.: 8000 or access by a cloud (P2P) <ul style="list-style-type: none"> • Android: Free application Hik-Connect • iOS: Free application Hik-Connect
Default admin user / password:	admin / - The administrator password should be set at the first start
Default IP address:	192.168.1.64
Web browser access ports:	80
PC client access ports:	Port no.: 8000 or access by a cloud (P2P) - iVMS-4200 application
Mobile client access ports:	8000
Port ONVIF:	80
RTSP URL:	<ul style="list-style-type: none"> • Main stream : rtsp://user:password@192.168.1.64:554/Streaming/Channels/101/ - with authorization • Sub stream : rtsp://user:password@192.168.1.64:554/Streaming/Channels/102/ - with authorization
Main features:	<ul style="list-style-type: none"> • WDR - 120 dB - Wide Dynamic Range • 3D-DNR - Digital Noise Reduction • EXIR - high-efficiency infrared LEDs technology, which evenly covers the whole plan of both central vantage points of the scene as well as the corners • ROI - improve the quality of selected parts of image • NAS - Network Attached Storage support • ANR - Automatic Network Replenishment allows to save image to the card when the network connection with DVR is break (network failure) and next synchronize its • Anti-Flicker - The technology eliminates the tiring eyes flickering image effect • Possibility to change the resolution, quality and bit rate • BLC/HLC - Back Light / High Light Compensation • Mirror - Mirror image • Configurable Privacy Zones • Motion Detection - classification of people and vehicles • Sharpness - sharper image outlines • Intelligent image analysis, video tampering, intrusion, crossing the line (tripwire) - classification of people and vehicles, face detection
Power supply:	<ul style="list-style-type: none"> • PoE (802.3af), • 12 V DC / 500 mA
Power consumption:	<ul style="list-style-type: none"> ≤ 6 W @ 12 V DC ≤ 7.5 W @ PoE (802.3af)
Housing:	Dome, Aluminum alloy
Vandal-proof:	—
Color:	White
"Index of Protection":	IP67
Operation temp:	-30 °C ... 60 °C
Weight:	0.64 kg
Dimensions:	Ø 127 x 96 mm
Supported languages:	Polish, English, Bulgarian, Croatian, Czech, Danish, Estonian, French, Greek, Spanish, Dutch, Lithuanian, Latvian, German, Norwegian, Portuguese, Russian, Romanian, Serbian, Slovak, Slovenian, Turkish, Hungarian, Italian
Manufacturer / Brand:	Hikvision
SAP Code:	311316072
Guarantee:	3 years



PRESENTATION

Camera is out from clamping ring:



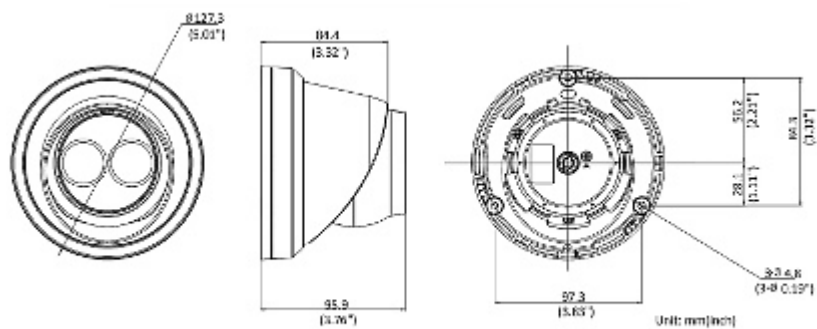
Memory card slot:



Camera mounting side view:



Dimensions:



In the kit:



OUR TESTS

Camera image at artificial illumination (about 30Lux):



Camera image at night conditions with internal built-in IR illuminator on:



Camera image at direct strong light opposite to camera:



PACKAGE

Dimensions (L x W x H): 0x0x0 mm	Gross Weight: 0 kg
----------------------------------	--------------------

