

Code: BCS-B-EIP15FR3(2.0)

IP CAMERA **BCS-B-EIP15FR3(2.0)** - 5 Mpx 2.8 mm BCS BASIC

Net: **70.50 EUR** Gross: **70.50 EUR**



IP camera with efficient H.265 / H.264 image compression algorithm for clear and smooth video streaming at maximal resolution of 5 Mpx.

PoE powering possibility, compatible with the 802.3af standard makes the device more universal and easier to install. The range of IR illumination according to the manufacturer data, depends on outer conditions (visibility - air transparency, environment, wall colors ie. scene reflectance).

SPECIFICATION

| | |
|---------------------------|--|
| Standard: | TCP/IP |
| Sensor: | 1/3 " Progressive Scan CMOS |
| Matrix size: | 5 Mpx |
| Resolution: | 2592 x 1944 - 5 Mpx , 2560 x 1520 - 4 Mpx , 2560 x 1440 - 3.7 Mpx , 1920 x 1080 - 1080p |
| Lens: | 2.8 mm |
| View angle: | • 89 ° (manufacturer data) • 72 ° (our tests result) |
| Range of IR illumination: | 30 m |
| S/N ratio: | > 52 dB |
| RS-485 interface: | — |
| Memory card slot: | — |
| Image compression method: | H.265+ / H.265 / H.264+ / H.264 |
| Alarm inputs / outputs: | — |
| Audio: | • Microphone built-in • Audio transmission via network • Audio detection |
| Main stream frame rate: | • 15 fps @ 5 Mpx • 20 fps @ 4 Mpx |

DELTA-OPTI Monika Matysiak; <https://www.delta.poznan.pl>
POL; 60-713 Poznań; Graniczna 10
e-mail: delta-opti@delta.poznan.pl; tel: +(48) 61 864 69 60

| | |
|--------------------------------|--|
| Network interface: | 10/100 Base-T (RJ-45) |
| Network protocols: | IPv4, IGMP, ICMP, ARP, TCP, UDP, DHCP, RTP, RTSP, RTCP, DNS, DDNS, NTP, FTP, UPnP, HTTP, HTTPS, SMTP, SSL, QoS, RTMP |
| WEB Server: | Built-in |
| Max. number of on-line users: | 4 |
| ONVIF: | ✓ |
| Mobile phones support: | Access by a cloud (P2P) <ul style="list-style-type: none"> • Android: Free application BCS Manager • iOS (iPhone): Free application BCS Manager |
| Default IP address: | DHCP or 192.168.1.13 |
| Default admin user / password: | admin / 123456 |
| Web browser access ports: | 80, 554 |
| PC client access ports: | Port no.: 80 or access by a cloud (P2P) |
| Mobile client access ports: | 80 |
| Port ONVIF: | 80 |
| RTSP URL: | rtsp://192.168.1.13:554/unicast/c1/s0/live - Main stream rtsp://192.168.1.13:554/unicast/c1/s1/live - Sub stream |
| Main features: | <ul style="list-style-type: none"> • 2D-DNR, 3D-DNR - Digital Noise Reduction • D-WDR - Wide Dynamic Range • F-DNR (Defog) - Reduction of image noise caused by precipitation • ROI - improve the quality of selected parts of image • BLC/HLC - Back Light / High Light Compensation • D-ZOOM - Digital Zoom • Possibility to change the resolution, quality and bit rate • Configurable Privacy Zones • Motion Detection • Mirror - Mirror image |
| Power supply: | <ul style="list-style-type: none"> • PoE (802.3af), • 12 V DC / 380 mA |
| Power consumption: | ≤ 4.5 W |
| Housing: | Dome - Plastic + Metal |
| Color: | White |
| "Index of Protection": | IP67 |
| Vandal-proof: | — |
| Operation temp: | -30 °C ... 60 °C |
| Weight: | 0.26 kg |
| Dimensions: | Ø 118 x 97 mm |
| Supported languages: | Polish, English |
| Manufacturer / Brand: | BCS BASIC |
| Guarantee: | 3 years |

PRESENTATION

Internal view of the housing:



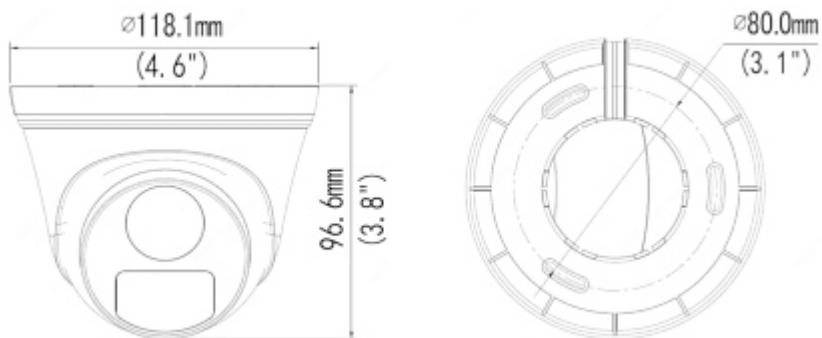
DELTA-OPTI Monika Matysiak; <https://www.delta.poznan.pl>
POL; 60-713 Poznań; Graniczna 10
e-mail: delta-opti@delta.poznan.pl; tel: +(48) 61 864 69 60



Mounting side view:



Camera dimensions:



In the kit:



OUR TESTS

Camera image at artificial illumination (about 30Lux):



Camera image at night conditions with internal built-in IR illuminator on:



Camera image at direct strong light opposite to camera:



PACKAGE

| | |
|----------------------------------|--------------------|
| Dimensions (L x W x H): 0x0x0 mm | Gross Weight: 0 kg |
|----------------------------------|--------------------|

