

Code: ARD323-W2(868S)

WIRELESS MAGNETIC CONTACT **ARD323-W2(868S)** DAHUA

Net: **52.00 EUR** Gross: **63.96 EUR**

The ARD323-W2(868S) wireless detector (magnetic contact) is used to protection the windows and doors.



SPECIFICATION

Support:	Wireless alarm systems DAHUA
Detection:	Opening the door or window
Break distance:	~ 40 mm
Alarm signaling:	Signal to control panel
Frequency range:	868 MHz
Radio communication range (at open area):	max. 1200 m (open area)
Alarm inputs:	—
Battery:	1 x CR123A 3 V (included)
Backup time:	~ 5 years
Main features:	<ul style="list-style-type: none">• Tamper protections• Low battery level alarm• AES128 data encryption
Operation temp:	-10 °C ... 55 °C
Color:	White
Weight:	<ul style="list-style-type: none">• 0.034 kg - Transmitter• 0.007 kg - Magnet
Dimensions:	<ul style="list-style-type: none">• 100 x 21 x 21 mm - Transmitter• 38 x 13.5 x 14 mm - Magnet
Manufacturer / Brand:	DAHUA

DELTA-OPTI Monika Matysiak; <https://www.delta.poznan.pl>
POL; 60-713 Poznań; Graniczna 10
e-mail: delta-opti@delta.poznan.pl; tel: +(48) 61 864 69 60

Guarantee:

2 years

PRESENTATION

Front view:

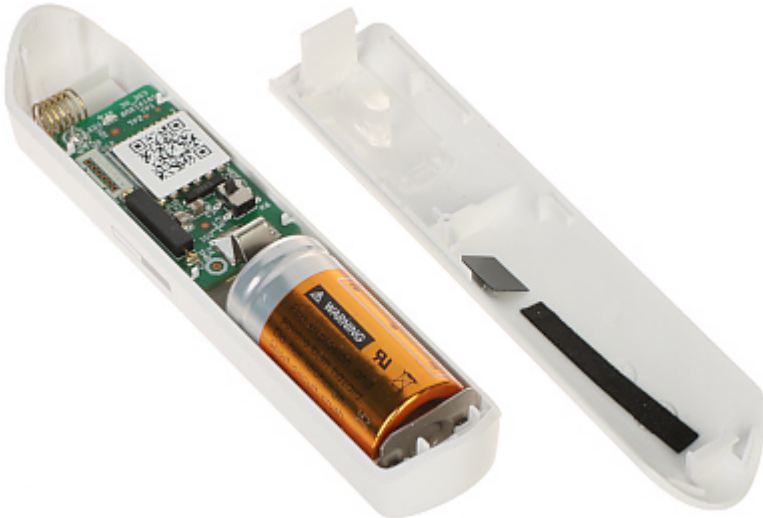


Mounting side view:





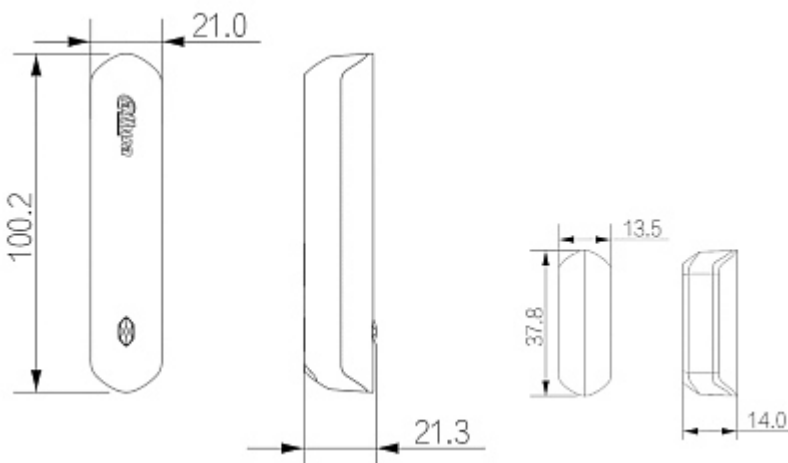
Internal view of the housing:



Magnet:



Dimensions:



In the kit:



PACKAGE

Dimensions (L x W x H): 0x0x0 mm	Gross Weight: 0 kg
----------------------------------	--------------------

