

Code: ARD324-W2(868)

## WIRELESS MAGNETIC CONTACT **ARD324-W2(868)** DAHUA

Net: **63.22 EUR** Gross: **63.22 EUR**



The ARD324-W2(868) wireless detector (magnetic contact) is used to protection the windows and doors.

### SPECIFICATION

Support:	Wireless alarm systems DAHUA
Detection:	Opening the door or window
Break distance:	~ 40 mm
Alarm signaling:	Signal to control panel
Frequency range:	868 MHz
Radio communication range (at open area):	max. 1200 m (open area)
Alarm inputs:	1 pcs NO / NC / Pulse counter
Battery:	1 x CR123A 3 V (included)
Backup time:	~ 3 years
Current consumption:	60 mA
Main features:	<ul style="list-style-type: none"><li>• Tamper protections</li><li>• Low battery level alarm</li><li>• Detection of shocks and vibrations associated with attempts to force a door or window</li><li>• Bidirectional communication</li><li>• AES128 data encryption</li><li>• Frequency hopping against jamming for reliable transmission</li><li>• Test mode</li><li>• Temperature measurement in the range: -15°C ... +65°C</li><li>• thermal protection</li><li>• Configuration using the application</li><li>• Cloud update</li></ul>
Color:	White

DELTA-OPTI Monika Matysiak; <https://www.delta.poznan.pl>  
POL; 60-713 Poznań; Graniczna 10  
e-mail: [delta-opti@delta.poznan.pl](mailto:delta-opti@delta.poznan.pl); tel: +(48) 61 864 69 60

Operation temp:	-10 °C ... 55 °C
Weight:	<ul style="list-style-type: none"> <li>• 0.034 kg - Transmitter</li> <li>• 0.034 kg - Magnet</li> </ul>
Dimensions:	<ul style="list-style-type: none"> <li>• 100 x 21 x 21 mm - Transmitter</li> <li>• 100 x 21 x 21 mm - Magnet</li> </ul>
Manufacturer / Brand:	DAHUA
Guarantee:	2 years

## PRESENTATION

Transmitter:

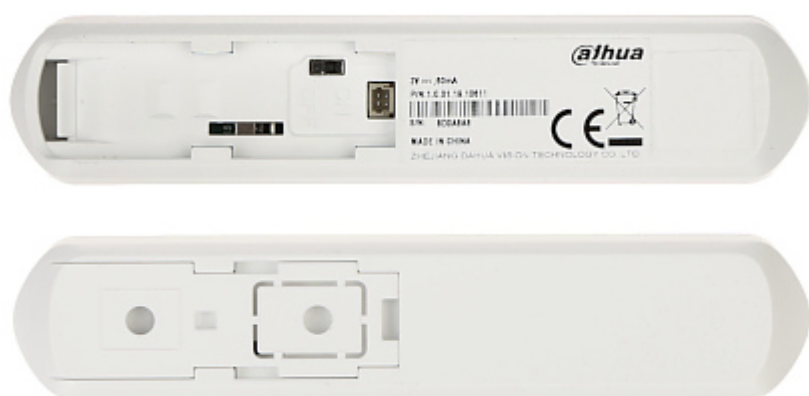
Front view:



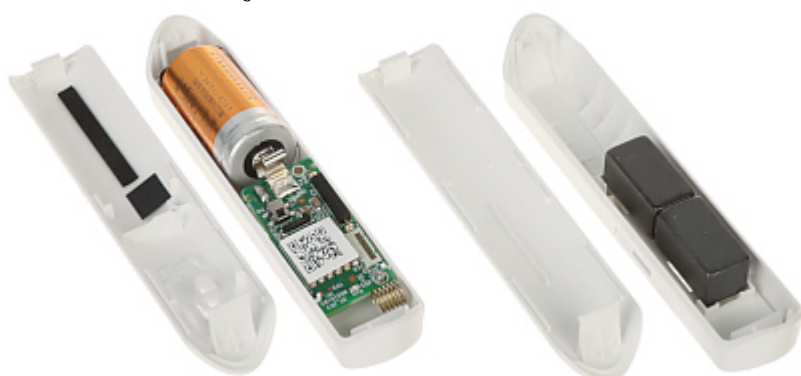
Mounting side view:



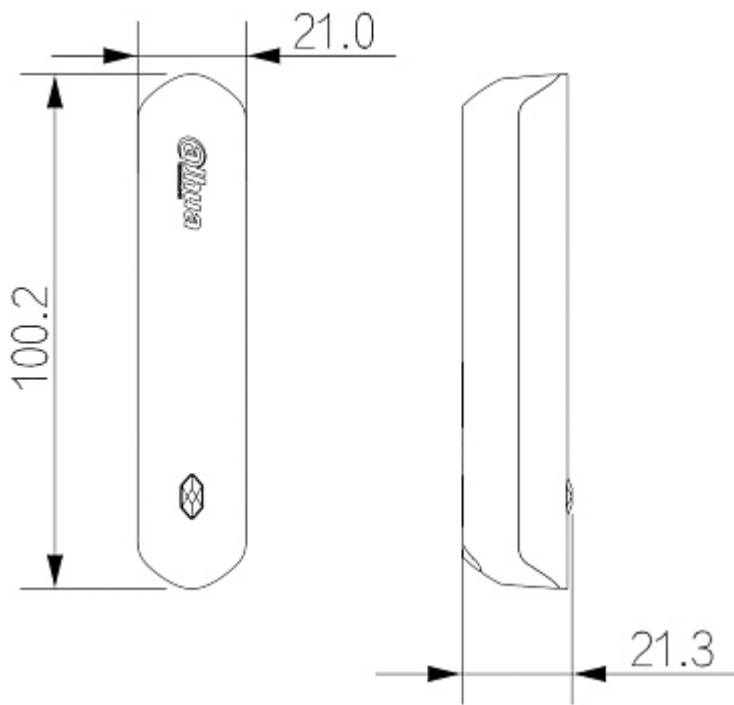
Transmitter and magnet:



Internal view of the housing:



Dimensions:



In the kit:



## PACKAGE

Dimensions (L x W x H): 0x0x0 mm	Gross Weight: 0 kg
----------------------------------	--------------------

