

Code: DS-2CS54D8T-PH

## HD-TVI, PAL CAMERA **DS-2CS54D8T-PH** PINHOLE - 1080p 3.7 mm

Hikvision

Net: **471.00 PLN** Gross: **579.33 PLN**

Indoor micro camera equipped with very good quality CMOS sensor. High sensor resolution produces high detailed image. So, you can use this camera for example to persons recognition with good results.

In the case of video transmission using a twisted pair cable and matching transformers (balun), be aware of the possibility of signal reflections and interfering signals.



### SPECIFICATION

Standard:	HD-TVI, PAL
Sensor:	Progressive Scan CMOS
Matrix size:	2.1 Mpx
Resolution:	1920 x 1080 - 1080p
Lens:	3.7 mm (pinhole)
View angle:	<ul style="list-style-type: none"><li>• 71 ° (manufacturer data)</li><li>• 70 ° (our tests result)</li></ul>
Min. illumination:	0.005 Lux - F1.2
Video output:	1 Vpp / 75 Ω - HD-TVI / CVBS
Audio:	—
Main features:	<ul style="list-style-type: none"><li>• WDR - 120 dB - Wide Dynamic Range</li><li>• 3D-DNR - Digital Noise Reduction</li><li>• Motion Detection - max. 4 zones</li><li>• AGC - Automatic Gain Control</li><li>• Privacy zones - max. 4</li><li>• Auto White Balance</li><li>• BLC - Back Light Compensation</li><li>• Mirror - Mirror image</li><li>• Sharpness - sharper image outlines</li></ul>
Main features:	Length of the cable : 3 m
OSD menu:	✓
Housing:	Mini, Metal
Color:	Black
Application:	The camera is designed for indoor use, due to the possibility of steam condensation.
Power supply:	12 V DC / 125 mA
Power consumption:	≤ 1.5 W

DELTA-OPTI Monika Matysiak; <https://www.delta.poznan.pl>  
POL; 60-713 Poznań; Graniczna 10  
e-mail: [delta-opti@delta.poznan.pl](mailto:delta-opti@delta.poznan.pl); tel: +(48) 61 864 69 60

Operation temp:	-40 °C ... 60 °C
Weight:	0.04 kg
Dimensions:	32.4 x 32.4 x 22 mm (without bracket)
Manufacturer / Brand:	Hikvision
SAP Code:	300610513
Guarantee:	<b>3 years</b>

## PRESENTATION



Front view:



Rear view:

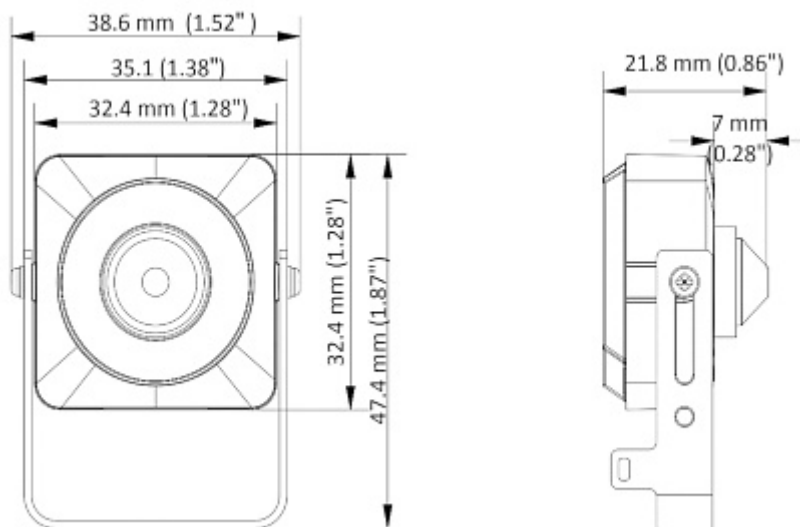


Camera connectors:





Camera dimensions:

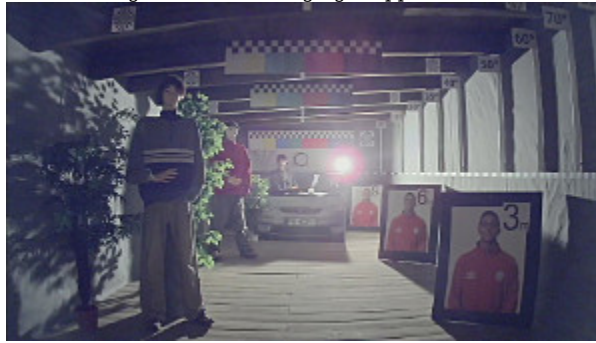


## OUR TESTS

Camera image at artificial illumination (about 30Lux):



Camera image at direct strong light opposite to camera:



Camera image at night conditions with external IR illuminator on:



Camera image at night conditions, at different illumination values show below:

10 LUX:



1 LUX:



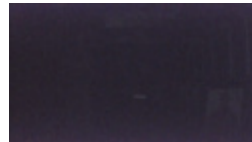
0.1 LUX:



0.01 LUX:



0.001 LUX:



## OUR OPINIONS



- Small sizes of the camera allow to use it to discreet monitoring.

