

Code: SD42212I-HC

HD-CVI, PAL SPEED DOME CAMERA OUTDOOR **SD42212I-HC** - 1080p 5.3 ... 64 mm DAHUA

Net: **393.81 EUR** Gross: **484.39 EUR**

Megapixel camera with 1/2.8" CMOS sensor and HD-CVI (High Definition Composite Video Interface).

The "Starlight" series cameras provide a clear color image even at very poor lighting.

The HD-CVI interface allows to transmission of analog, composite video signal via coaxial cable. It enables the transmission of HD resolution images for even 500 m distance with keeping the low costs of the installation. During transmission there are no delays and is maintained the original, high quality image.

Camera is according to IP66 Index of Protection norm.



SPECIFICATION

Standard:	HD-CVI, PAL
Sensor:	1/2.8 " STARVIS™ CMOS
Matrix size:	2.1 Mpx
Resolution:	1920 x 1080 - 1080p 1280 x 720 - 720p 960 x 576 - 960H
IR illuminator:	—
Lens:	5.3 ... 64 mm
View angle:	58 ° ... 4.9 °
Optical zoom:	x 12
Digital zoom:	x 16
Rotation speed depending on ZOOM level:	✓
Horizontal rotation range:	360 ° continuous
Vertical rotation range:	-2 ° ... 90 °
Rotation speed (manual control):	0.1 °/s ... 300 °/s (horizontal) , 0.1 °/s ... 120 °/s (vertical)
Preset rotation speed:	300 °/s (horizontal) 200 °/s (vertical)
PTZ control:	Via interface RS-485 The ability to control via coaxial cable from recorder DAHUA, BCS, RAPID
Protocols:	Pelco-D, Pelco-P, DH-SD (auto detection)

DELTA-OPTI Monika Matysiak; <https://www.delta.poznan.pl>
POL; 60-713 Poznań; Graniczna 10
e-mail: delta-opti@delta.poznan.pl; tel: +(48) 61 864 69 60

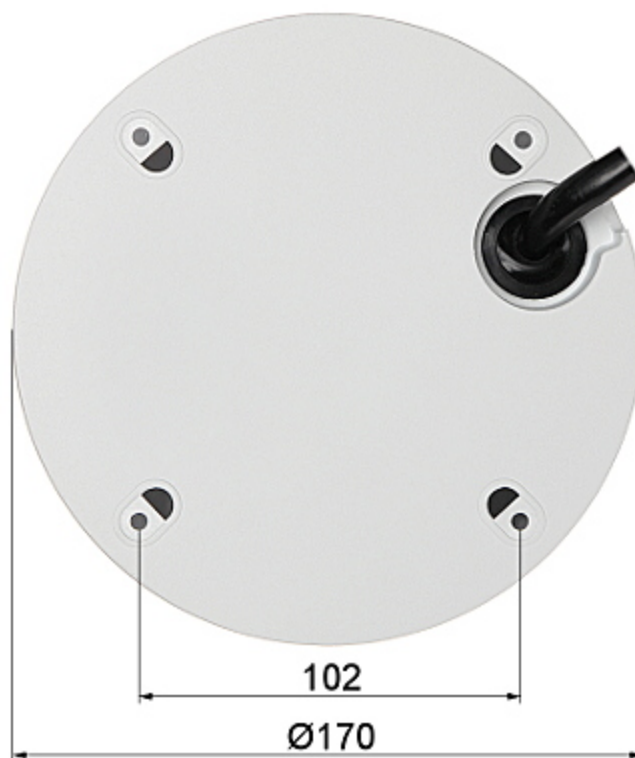
S/N ratio:	> 50 dB
Video output:	HD-CVI / PAL, 1 Vpp 75 Ω
Audio:	External microphone input
Number of presets:	300
Route settings:	8
Horizontal scan:	✓
Park action:	Call the set function (tour, scan, etc.) after specified dwell time
Alarm inputs / outputs:	2 / 1
Main features:	<ul style="list-style-type: none"> • 2D-DNR, 3D-DNR - Digital Noise Reduction • WDR - 120 dB - Wide Dynamic Range • ICR - Movable InfraRed filter • BLC/HLC - Back Light / High Light Compensation • Auto White Balance • 24 Configurable Privacy Zones • AGC - Automatic Gain Control
OSD menu:	✓
Power supply:	24 V AC / 1500 mA (power adapter included)
Power consumption:	≤ 10 W
Housing:	Speed Dome, Metal
Color:	White
"Index of Protection":	IP66
Vandal-proof:	IK10
Operation temp:	-40 °C ... 60 °C
Weight:	1.90 kg
Dimensions:	Ø 170 x 155 mm
Supported languages:	English, Polish
Manufacturer / Brand:	DAHUA
Guarantee:	3 years

PRESENTATION

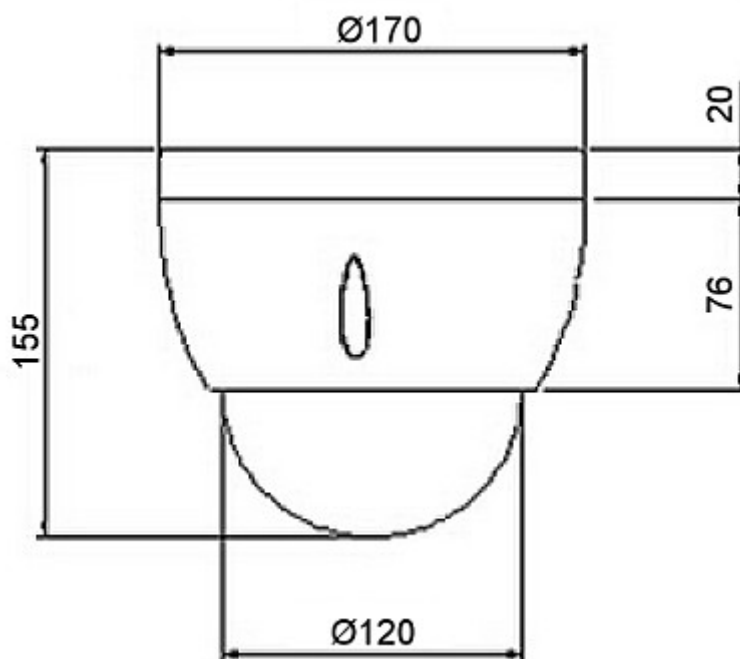
Camera view after remove the dome (configuration jumpers are visible):



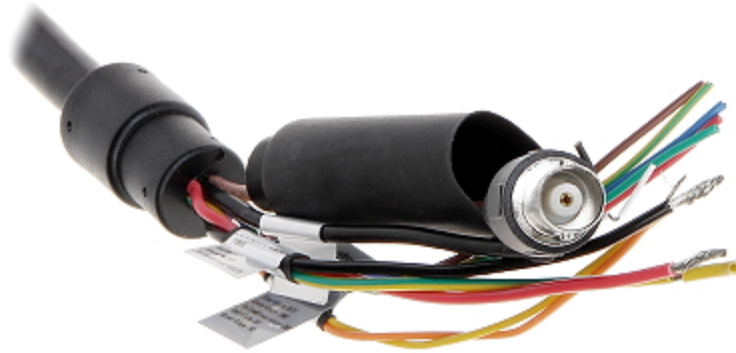
Bracket dimensions:



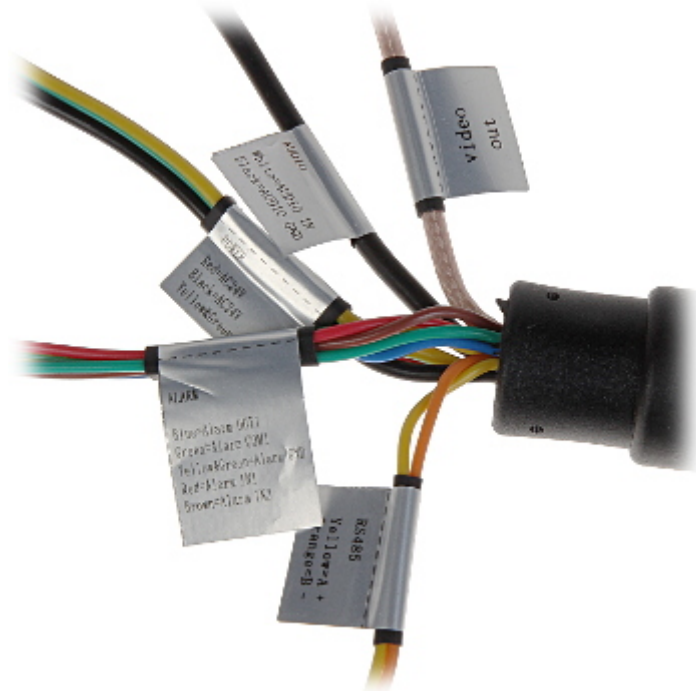
Camera dimensions:



Camera connectors:



Connectors description:



In the kit:



DELTA-OPTI Monika Matysiak; <https://www.delta.poznan.pl>
POL; 60-713 Poznań; Graniczna 10
e-mail: delta-opti@delta.poznan.pl; tel: +(48) 61 864 69 60

OUR TESTS

Camera image at artificial illumination (about 30Lux):



Camera image at night conditions with external IR illuminator on:



Camera image at direct strong light opposite to camera:



Camera image at night conditions, at different illumination values show below:



OUR OPINIONS



- The "Starlight" series cameras provide a clear color image even at very poor lighting.