

Code: DS-2CE71D8T-PIRL(2.8MM)

HD-TVI CAMERA **DS-2CE71D8T-PIRL(2.8MM)** - 1080p HIKVISION

Net: **76.61 USD** Gross: **94.23 USD**

Megapixel camera with Progressive scan CMOS sensor and HD-TVI.

The HD-TVI interface allows to transmission of analog video signal via coaxial cable at resolutions up to 1080p. It enables the transmission of HD resolution images for even 500 m distance with keeping the low costs of the installation. During transmission there are no delays and is maintained the original, high quality image.

In the case of video transmission using a twisted pair cable and matching transformers (balun), be aware of the possibility of signal reflections and interfering signals.

Camera is according to IP67 Index of Protection norm.



SPECIFICATION

Standard:	HD-TVI
Sensor:	Progressive Scan CMOS
Matrix size:	2.1 Mpx
Resolution:	1920 x 1080 - 1080p
Range of IR illumination:	20 m
IR illuminator power adjustment:	Automatic
Lens:	2.8 mm
View angle:	<ul style="list-style-type: none">• 103 ° (manufacturer data)• 100 ° (our tests result)
S/N ratio:	> 65 dB
Video output:	1 x HD-TVI - BNC socket
OSD menu:	✓
Main features:	<ul style="list-style-type: none">• WDR - 120 dB - Wide Dynamic Range• 3D-DNR - Digital Noise Reduction• EXIR - high-efficiency infrared LEDs technology, which evenly covers the whole plan of both central vantage points of the scene as well as the corners• BLC - Back Light Compensation• ICR - Movable InfraRed filter• Sharpness - sharper image outlines• AGC - Automatic Gain Control• Privacy zones• Mirror - Mirror image• Auto White Balance• PIR detector - Built-in, Range : 11 m, Detection angle : 110 °
Power supply:	12 V DC / 380 mA

DELTA-OPTI Monika Matysiak; <https://www.delta.poznan.pl>
POL; 60-713 Poznań; Graniczna 10
e-mail: delta-opti@delta.poznan.pl; tel: +(48) 61 864 69 60

Power consumption:	≤ 4.5 W
Housing:	Dome, Metal / Plastic
Color:	White
"Index of Protection":	IP67
Operation temp:	-40 °C ... 60 °C
Weight:	0.312 kg
Dimensions:	Ø 110 x 90 mm
Manufacturer / Brand:	HIKVISION
SAP Code:	300610876
Guarantee:	3 years

PRESENTATION

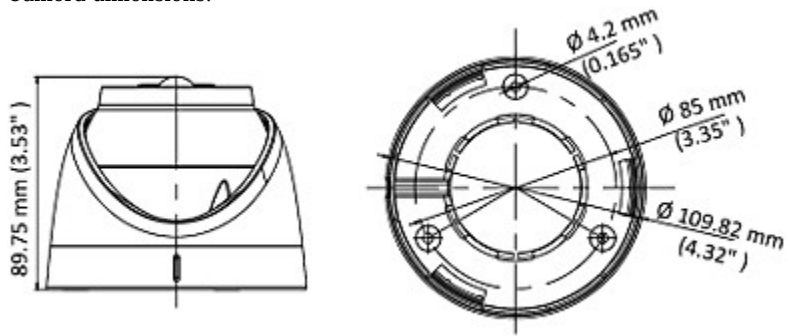
Camera is out from clamping ring:



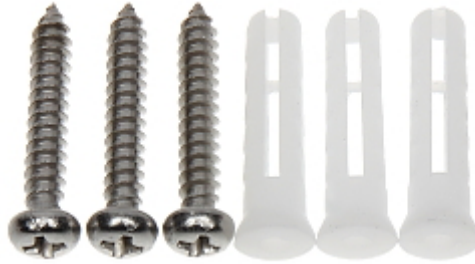
Camera mounting side view:



Camera dimensions:



In the kit:



OUR TESTS

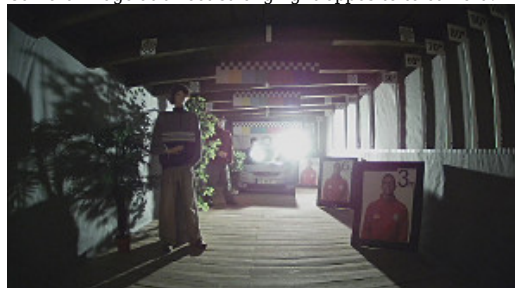
Camera image at artificial illumination (about 30Lux):



Camera image at night conditions with internal built-in IR illuminator on:



Camera image at direct strong light opposite to camera:



OUR OPINIONS



- Small dimensions camera.

