

Code: DS-2CE56D7T-VPIT3Z(2.8-12mm)

# HD-TVI VANDALPROOF CAMERA **DS-2CE56D7T-VPIT3Z(2.8-12mm)** - 1080p Hikvision

Net: **668.00 PLN** Gross: **821.64 PLN**

Megapixel camera with Progressive Scan CMOS sensor and HD-TVI (High Definition Transport Video Interface). The HD-TVI interface allows to transmission of analog video signal via coaxial cable at resolutions up to 1080p. It enables the transmission of HD resolution images for even 500 m distance with keeping the low costs of the installation. During transmission there are no delays and is maintained the original, high quality image. The used motozoom lens with 2.8 ... 12 mm focal length allows to remote view angle adjustment. The camera does not have auto-focus function. Camera is according to IP66 Index of Protection norm.



## SPECIFICATION

Standard:	HD-TVI, CVBS
Sensor:	Progressive Scan CMOS
Matrix size:	2.1 Mpx
Resolution:	1920 x 1080 - 1080p @ HD-TVI
Range of IR illumination:	40 m
IR illuminator power adjustment:	Automatic
Lens:	2.8 ... 12 mm - <b>Motozoom</b>
View angle:	<ul style="list-style-type: none"><li>• 100 ° ... 35 ° (manufacturer data)</li><li>• 91 ° ... 35 ° (our tests result)</li></ul>
S/N ratio:	> 62 dB
Video output:	1 Vpp / 75 Ω - HD-TVI, BNC socket
Main features:	<ul style="list-style-type: none"><li>• Motozoom lens</li><li>• WDR - 120 dB - Wide Dynamic Range</li><li>• DNR - Digital Noise Reduction</li><li>• EXIR - high-efficiency infrared LEDs technology, which evenly covers the whole plan of both central vantage points of the scene as well as the corners</li><li>• Mirror - Mirror image</li><li>• ICR - Movable InfraRed filter</li><li>• BLC - Back Light Compensation</li><li>• AGC - Automatic Gain Control</li><li>• Auto White Balance</li></ul>
OSD menu:	✓

DELTA-OPTI Monika Matysiak; <https://www.delta.poznan.pl>  
POL; 60-713 Poznań; Graniczna 10  
e-mail: [delta-opti@delta.poznan.pl](mailto:delta-opti@delta.poznan.pl); tel: +(48) 61 864 69 60

Power supply:	12 V DC / 380 mA
Power consumption:	≤ 4.5 W
Housing:	Dome, Metal
Color:	White
"Index of Protection":	IP66
Vandal-proof:	IK10
Operation temp:	-40 °C ... 60 °C
Weight:	0.9 kg
Dimensions:	Ø 145 x 124 mm
Supported languages:	English
Country of origin:	China
Manufacturer / Brand:	Hikvision
SAP Code:	300607215
Guarantee:	<b>3 years</b>

## PRESENTATION

Internal view of the housing:



Mounting side view:

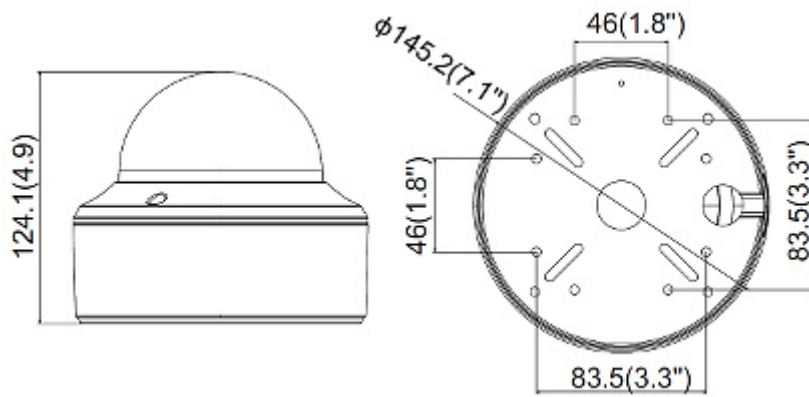


Bracket view:





Dimensions:



In the kit:



## OUR TESTS

Camera image at artificial illumination (about 30Lux):

DELTA-OPTI Monika Matysiak; <https://www.delta.poznan.pl>  
POL; 60-713 Poznań; Graniczna 10  
e-mail: [delta-opti@delta.poznan.pl](mailto:delta-opti@delta.poznan.pl); tel: +(48) 61 864 69 60



Camera image at night conditions with internal built-in IR illuminator on:



Camera image at direct strong light opposite to camera:

