

Code: DS-2CE79U8T-IT3Z(2.8-12MM)

HD-TVI CAMERA **DS-2CE79U8T-IT3Z(2.8-12MM)** - 8 Mpx, 4K UHD HIKVISION

Net: **381.41 USD** Gross: **469.13 USD**

Megapixel camera with Progressive Scan CMOS sensor and HD-TVI (High Definition Transport Video Interface).

The HD-TVI interface allows to transmission of analog video signal via coaxial cable at resolutions up to 8 Mpx (4K). It enables the transmission of HD resolution images for even 500 m distance with keeping the low costs of the installation. During transmission there are no delays and is maintained the original, high quality image.

Housing construction allows to mount the camera to the ceiling and the wall (image is right oriented in both cases).

Camera is according to IP67 Index of Protection norm.



SPECIFICATION

Standard:	HD-TVI, PAL
Sensor:	Progressive Scan CMOS
Matrix size:	8.29 Mpx
Resolution:	3840 x 2160 - 8 Mpx, 4K UHD , 2592 x 1944 - 5 Mpx , 2560 x 1440 - 3.7 Mpx , 1920 x 1080 - 1080p 960 x 576
Range of IR illumination:	80 m
IR illuminator power adjustment:	Automatic
Lens:	2.8 ... 12 mm - Motozoom
View angle:	<ul style="list-style-type: none">• 108 ° ... 46 ° (manufacturer data)• 104 ° ... 46 ° (our tests result)
Video output:	1 x HD-TVI - BNC socket 1 x CVBS - BNC socket
Main features:	<ul style="list-style-type: none">• Motozoom lens• WDR - 120 dB - Wide Dynamic Range• 3D-DNR - Digital Noise Reduction• F-DNR (Defog) - Reduction of image noise caused by precipitation• EXIR - high-efficiency infrared LEDs technology, which evenly covers the whole plan of both central vantage points of the scene as well as the corners• ICR - Movable InfraRed filter• Mirror - Mirror image• Sharpness - sharper image outlines
OSD menu:	✓

DELTA-OPTI Monika Matysiak; <https://www.delta.poznan.pl>
POL; 60-713 Poznań; Graniczna 10
e-mail: delta-opti@delta.poznan.pl; tel: +(48) 61 864 69 60

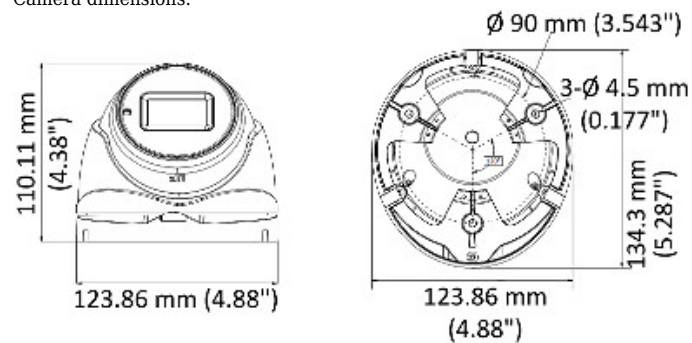
Power supply:	12 V DC / 1.1 A
Power consumption:	≤ 14 W
Housing:	Dome, Metal
Color:	White
"Index of Protection":	IP67
Operation temp:	-40 °C ... 60 °C
Weight:	0.62 kg
Dimensions:	134 x 124 x 111 mm
Supported languages:	English
Country of origin:	China
Manufacturer / Brand:	HIKVISION
SAP Code:	300610721
Guarantee:	3 years

PRESENTATION

Mounting side view:



Camera dimensions:



OSD controller view:



In the kit:



OUR TESTS

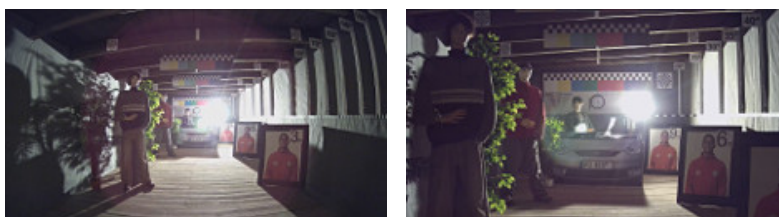
Camera image at artificial illumination (about 30Lux):



Camera image at night conditions with internal built-in IR illuminator on:



Camera image at direct strong light opposite to camera:



DELTA-OPTI Monika Matysiak; <https://www.delta.poznan.pl>
POL; 60-713 Poznań; Graniczna 10
e-mail: delta-opti@delta.poznan.pl; tel: +(48) 61 864 69 60

OUR OPINIONS



- Motozoom lens.

