

Code: ATLO-BPA-3

## SURFACE BOX ATLO-BPA-3

Net: 8.36 EUR Gross: 10.28 EUR



Surface-mounted box dedicated to mounting ATLO door opening buttons.

### SPECIFICATION

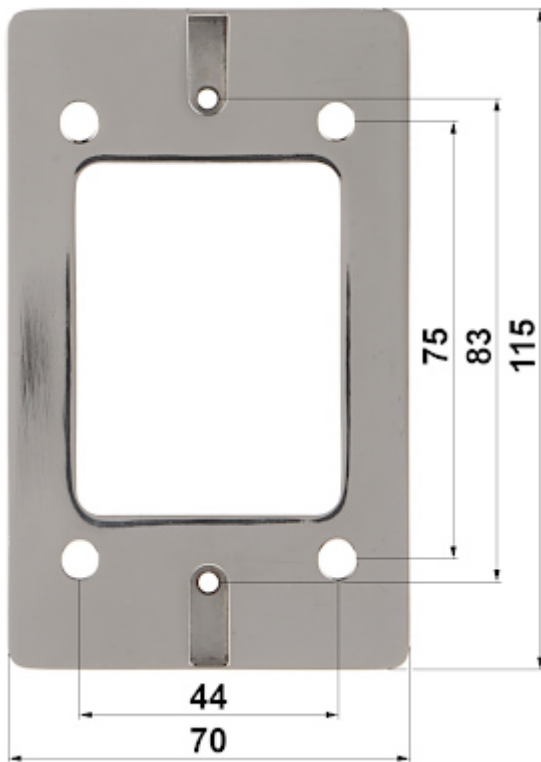
Support:	ATLO-NB-18
Material:	Chrome-plated cast
Color:	Silver
Weight:	0.22 kg
Dimensions:	115 x 70 x 25 mm
Manufacturer / Brand:	ATLO
Guarantee:	<b>3 years</b>

### PRESENTATION

Wall mounting side view:



Mounting dimensions:



In the kit:



DELTA-OPTI Monika Matysiak; <https://www.delta.poznan.pl>  
POL; 60-713 Poznań; Graniczna 10  
e-mail: [delta-opti@delta.poznan.pl](mailto:delta-opti@delta.poznan.pl); tel: +(48) 61 864 69 60

## PACKAGE

Dimensions (L x W x H): 0x0x0 mm	Gross Weight: 0 kg
----------------------------------	--------------------

