

Code: KN-06C

CYLINDRICAL MAGNETIC CONTACT KN-06C

Net: 1.78 EUR Gross: 1.78 EUR

The magnetic contacts can be used wherever required for controlling the status of doors, windows and/or other movable elements, e.g. for protection or monitoring of access to particular sites, spaces, facilities, in automatic control systems, etc.

The magnetic contact element containing the magnet should be mounted on the movable part, while the reed switch - on the stationary part of protected doors, windows, etc. The sunk magnetic contact is designed for face mounting in such materials as wood or plastic.

The contact is to be pressed in. The magnet must be located within the operating gap (see specification). Misalignment of the axes of magnet and reed switch in cylindrical magnetic contacts should not be greater than 10mm.



SPECIFICATION

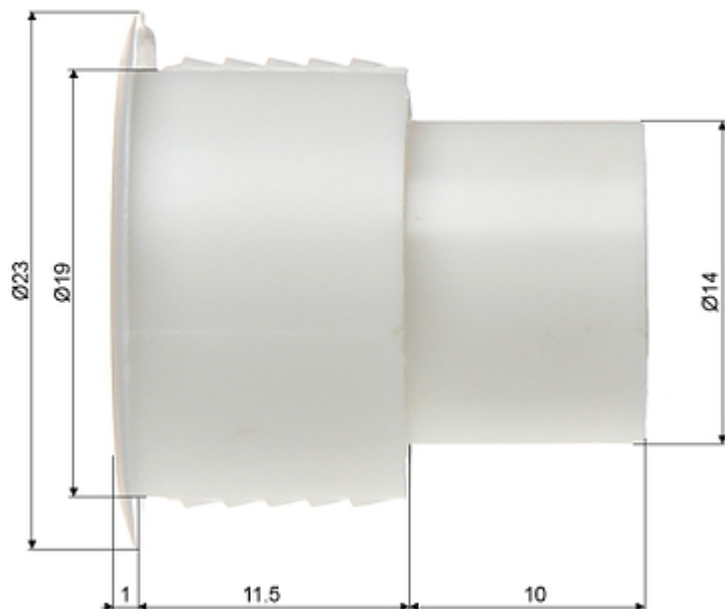
Detection:	Opening the door or window
Maximum reed switched voltage:	20 V
Maximal switched current:	20 mA
Make distance:	9 mm
Break distance:	10 mm
Main features:	<ul style="list-style-type: none">• Plastic (ABS)• NC output - a magnet close to a reed switch - does not trigger an alarm, the contacts are closed
Color:	White
Weight:	0.025 kg
Dimensions:	22.5 mm - Length Ø 19 mm - Assembly Ø 23 mm - Outdoor
Guarantee:	2 years

PRESENTATION

Dimensions:



DELTA-OPTI Monika Matysiak; <https://www.delta.poznan.pl>
POL; 60-713 Poznań; Graniczna 10
e-mail: delta-opti@delta.poznan.pl; tel: +(48) 61 864 69 60



PACKAGE

Dimensions (L x W x H): 0x0x0 mm	Gross Weight: 0 kg
----------------------------------	--------------------

