



User Manual

Code: DS-2CD2F42FWD-IWS(2.8mm)
IP SPEED DOME CAMERA INDOOR **DS-2CD2F42FWD-IWS(2.8mm)** Wi-Fi - 4.0 Mpx Hikvision

Warning!

Please read the user manual included in this work as it contains important information related with safety of installation and use of the device.

Only persons who read the user manual may use the device.

The user manual must be kept because it may be required in the future. The device is to be used exclusively for purposes specified in this user manual.

The device must be unpacked prior to starting-up. After removing the packaging make sure the device is in working order. If the product has defects, it should not be used until it is repaired.

The product is intended for use at home and commercial use and may not be used for other than intended use.

The manufacturer is not liable for damages resulting from not adhering to the rules contained in the user manual, therefore, we recommend to follow the aforementioned safety rules for operation and maintenance of the device. In this way you will ensure yourself safety and avoid causing damage to the device.

The manufacturer and the supplier are not liable for losses or damages arising out of the product, including financial or intangible losses, loss of profits, income, data, pleasure from use of the product or other products related with it - indirect, incidental or consequential loss or damage. The above provisions apply whether the loss or damage concerns:

1. Deterioration of quality or the lack of operation of the products or products related with it due to damage as well as the lack of access to the product when it is undergoing repair, which results in stoppage the loss of user's time or a break in business activity;
2. Improper results of operation of the product or products related with it;
3. It applies to losses and damages according to any legal category, including negligence and other losses, termination of a contract, expressed or implied guarantee and strict liability (even if the manufacturer or the supplier was notified about the possibility of occurrence of such damages).

Safety measures:

Particular attention at designing was directed to quality standards of the device where ensuring safety of operation is the most important factor.

The device must be secured against contact with caustic, staining and viscous fluids.

The device was designed in such a way that it restarts operation when power supply is restored after a break.

Attention! We recommend using protections to further protect the device from possible overvoltages in installations. Surge protectors are effective protection against accidental pass to the device voltages higher than the rated. Damages caused by pass the voltages higher than specified in manual, are not under warranty.

Turn off the device before transporting it.

Prior to connecting the device to a power source check whether the supplied voltage is consistent with rated voltage specified in the user manual.

Proper product disposal:

A marking of a crossed out waste bin indicates that the product may not be disposed together with other household waste in the entire EU. To avoid possible damage to the natural environment of health due to uncontrolled waste disposal, therefore, it should be handed over for recycling, propagating in this way sustainable use of natural resources.

To return a worn-out product, use a collection and disposal system of this type of equipment or contact a seller from whom it was purchased. He will then be recycled in an environmentally-friendly way.

IP camera equipped with very good high resolution sensor. Due to above it is perfect solution for surveillance systems requiring persons or vehicles recognition. Built-in Infra-Red illuminator enables night monitoring. The range of IR illumination according to the manufacturer data, depends on outer conditions (visibility - air transparency, environment, wall colors ie. scene reflectance). The used Wi-Fi module allows to remote communication with camera for max. distance up to 50 m. For a few models of IP cameras working at 4Mpx resolution we recommend to use of network with 1Gb/s bandwidth.



Standard:	TCP/IP
Sensor:	1/3 " CMOS
Matrix size:	4.0 Mpx
Resolution:	2688 x 1520 - 4.0 Mpx , 2304 x 1296 - 3.0 Mpx , 1920 x 1080 - 1080p , 1280 x 720 - 720p
Scanning system:	Progressive
Lens:	2.8 mm
View angle:	<ul style="list-style-type: none"> • 106 ° (manufacturer data) • 103 ° (our tests result)
Optical zoom:	—
Digital zoom:	—
Range of IR illumination:	10 m
Video output:	—
Horizontal rotation range:	-90 ° ... +90 °
Vertical rotation range:	0 ° ... 75 °
RS-485 interface:	—
Horizontal scan:	—
Image compression method:	H.264+ / H.264 / MJPEG
Bitrate:	48 ... 16384 kbps - H.264
Alarm inputs / outputs:	1 / 1



User Manual

Code: DS-2CD2F42FWD-IWS(2.8mm)
IP SPEED DOME CAMERA INDOOR **DS-2CD2F42FWD-IWS(2.8mm)** Wi-Fi - 4.0 Mpx Hikvision

Main stream frame rate:	<ul style="list-style-type: none">• 20 fps - 4.0 Mpx• 25 fps - 1080p
Memory card slot:	Micro SD memory cards up to 128GB support (possible local recording)
Network interface:	10/100/1000 Base-T (RJ-45)
Network protocols:	TCP/IP, ICMP, HTTP, HTTPS, FTP, DHCP, DNS, DDNS, PPPoE, RTP, RTSP, RTCP, NTP, UPnP, SMTP, SNMP, IGMP, QoS, IPv6, Bonjour, 802.11n/g/b
WEB Server:	Built-in, NVR compliance
Max. number of on-line users:	6
ONVIF:	2.6
Audio:	<ul style="list-style-type: none">• External microphone input,• Audio output,• Bi-directional audio streaming support
Mobile phones support:	Port no.: 8000 or access by a cloud (P2P) <ul style="list-style-type: none">• Android: Free application iVMS-4500 or Hik-Connect• iOS (iPhone): Free application iVMS-4500 or Hik-Connect
Default admin user / password:	admin / -
Default IP address:	192.168.1.64
Web browser access ports:	80
PC client access ports:	Port no.: 8000 or access by a cloud (P2P) - iVMS-4200 application
Mobile client access ports:	8000
Port ONVIF:	80
RTSP URL:	<ul style="list-style-type: none">• Main stream rtsp://192.168.1.64:554/Streaming/Channels/101/ - RTSP - without authorization rtsp://user:password@192.168.1.64:554/Streaming/Channels/101/ - with authorization• Sub stream rtsp://192.168.1.64:554/Streaming/Channels/102/ - RTSP - without authorization rtsp://user:password@192.168.1.64:554/Streaming/Channels/102/ - with authorization
Main features:	<ul style="list-style-type: none">• Wi-Fi Module - 802.11n/g/b, Range : 50 m (open area)• WDR - Wide Dynamic Range• Intelligent image analysis : intrusion, crossing the line (tripwire)• ROI - improve the quality of selected parts of image• The ANR (Automatic Network Replenishment) function - ensures integrity of recording data in the event of network failures. It bases on automatic saving the recording data to microSD card inserted inside the camera, and after failure is end, the recorded data are automatically synchronized with the recorder• ICR - Movable InfraRed filter• Day/night mode• BLC - Back Light Compensation• Configurable Privacy Zones
Power supply:	<ul style="list-style-type: none">• PoE (802.3af),• 12 V DC / 750 mA
Power consumption:	≤ 9 W
Housing:	Mini Speed Dome, Plastic
Color:	White / Black

"Index of Protection":	—
Operation temp:	-10 °C ... 40 °C
Weight:	0.38 kg
Dimensions:	Ø 120 x 87 mm
Supported languages:	English, Bulgarian, Chinese, Croatian, Czech, Danish, Estonian, Finnish, French, Greek, Spanish, Dutch, Japanese, Korean, Lithuanian, Latvian, German, Norwegian, Polish, Portuguese, Russian, Romanian, Serbian, Slovak, Slovenian, Swedish, Turkish, Hungarian, Vietnamese, Italian
SAP Code:	300807586
Manufacturer / Brand:	Hikvision
Guarantee:	3 years

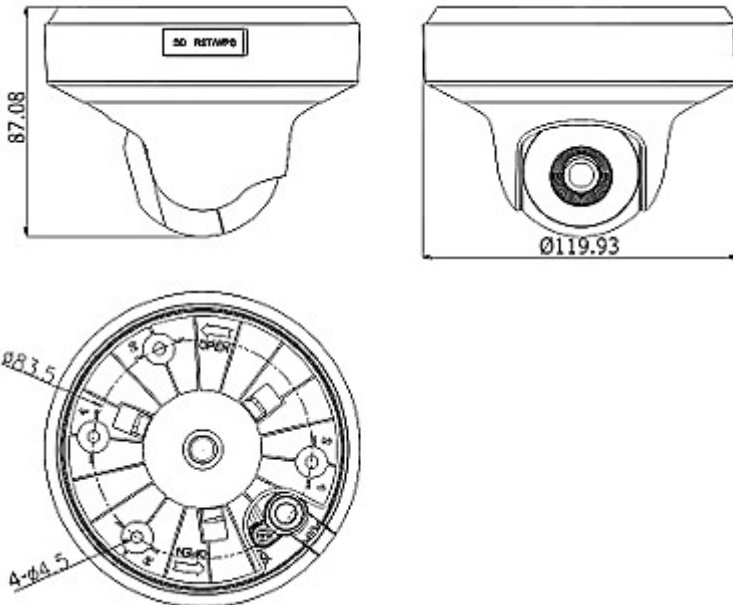
Side view:



1. WPS/RESET button
 2. Memory card slot
- Mounting side view:



Dimensions:



In the kit:



PACKAGE

Dimensions (L x W x H): 0x0x0 mm	Gross Weight: 0 kg
----------------------------------	--------------------