

Warning!

Please read the user manual included in this work as it contains important information related with safety of installation and use of the device.

Only persons who read the user manual may use the device.

The user manual must be kept because it may be required in the future. The device is to be used exclusively for purposes specified in this user manual.

The device must be unpacked prior to starting-up. After removing the packaging make sure the device is in working order. If the product has defects, it should not be used until it is repaired.

The product is intended for use at home and commercial use and may not be used for other than intended use.

The manufacturer is not liable for damages resulting from not adhering to the rules contained in the user manual, therefore, we recommend to follow the aforementioned safety rules for operation and maintenance of the device. In this way you will ensure yourself safety and avoid causing damage to the device.

The manufacturer and the supplier are not liable for losses or damages arising out of the product, including financial or intangible losses, loss of profits, income, data, pleasure from use of the product or other products related with it - indirect, incidental or consequential loss or damage. The above provisions apply whether the loss or damage concerns:

1. Deterioration of quality or the lack of operation of the products or products related with it due to damage as well as the lack of access to the product when it is undergoing repair, which results in stoppage the loss of user's time or a break in business activity;
2. Improper results of operation of the product or products related with it;
3. It applies to losses and damages according to any legal category, including negligence and other losses, termination of a contract, expressed or implied guarantee and strict liability (even if the manufacturer or the supplier was notified about the possibility of occurrence of such damages).

Safety measures:

Particular attention at designing was directed to quality standards of the device where ensuring safety of operation is the most important factor.

The device must be secured against contact with caustic, staining and viscous fluids.

The device was designed in such a way that it restarts operation when power supply is restored after a break.

Attention! We recommend using protections to further protect the device from possible overvoltages in installations. Surge protectors are effective protection against accidental pass to the device voltages higher than the rated. Damages caused by pass the voltages higher than specified in manual, are not under warranty.

Turn off the device before transporting it.

Prior to connecting the device to a power source check whether the supplied voltage is consistent with rated voltage specified in the user manual.

Proper product disposal:

A marking of a crossed out waste bin indicates that the product may not be disposed together with other household waste in the entire EU. To avoid possible damage to the natural environment of health due to uncontrolled waste disposal, therefore, it should be handed over for recycling, propagating in this way sustainable use of natural resources.

To return a worn-out product, use a collection and disposal system of this type of equipment or contact a seller from whom it was purchased. He will then be recycled in an environmentally-friendly way.

IP camera equipped with very good high resolution sensor. Due to above it is perfect solution for surveillance systems requiring persons or vehicles recognition.

The range of IR illumination according to the manufacturer data, depends on outer conditions (visibility - air transparency, environment, wall colors ie. scene reflectance).

For a few models of IP cameras working at $\geq 1920 \times 1080$ resolution we recommend to use of network with 1Gb/s bandwidth.



Standard:	TCP/IP
Sensor:	1/2.8 " SONY Starvis™ Back-illuminated CMOS
Matrix size:	2.1 Mpx
Scanning system:	Progressive
Resolution:	1920 x 1080 - 1080p , 1280 x 720 - 720p , 800 x 448 - 448p , 720 x 576 - D1 , 640 x 360 - 360p , 352 x 288 - CIF
Main stream frame rate:	max. 25 fps @ 1080p
Lens:	7 ... 85.5 mm
View angle:	45 ° ... 5 °
Optical zoom:	x 22
Auto IR illuminator:	Adaptive adjusting of the IR illuminator power to the lens zoom and outdoor light conditions
Range of IR illumination:	180 m
S/N ratio:	≥ 50 dB (AGC off)
Video output:	—



User Manual

Code: OMEGA-22P22-18

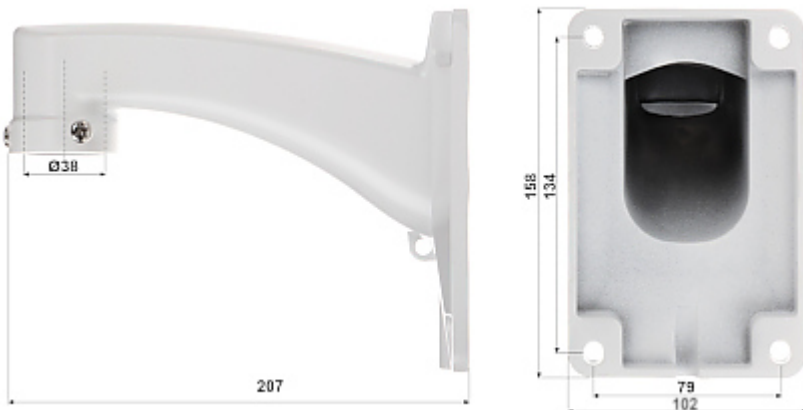
IP SPEED DOME CAMERA OUTDOOR **OMEGA-22P22-18** - 1080p 7 ... 85.5 mm

Rotation speed (manual control):	1 °/s ... 120 °/s (horizontal) 1 °/s ... 60 °/s (vertical)
Horizontal rotation range:	360 ° continuous
Vertical rotation range:	0 ° ... 93 °
RS-485 interface:	—
Number of presets:	220
Horizontal scan:	✓
Image compression method:	H.265 / H.264
Protections:	Overvoltage
Alarm inputs / outputs:	—
Network interface:	10/100 Base-T (RJ-45)
Network protocols:	HTTP, HTTPS, FTP, SMTP, UPnP, DNS, DDNS, NTP, RTSP, RTP, TCP/IP, DHCP, PPPoE, P2P
WEB Server:	Built-in
ONVIF:	2.4
Mobile phones support:	Port no.: 80 or access by a cloud (P2P) • Android: Free application BitVision • iOS (iPhone): Free application BitVision
Default IP address:	192.168.1.110
Default admin user / password:	admin / admin
Web browser access ports:	80
Port ONVIF:	8999
RTSP URL:	rtsp://ip_address/1/h264major - Main stream rtsp://ip_address/1/h264minor - Sub stream
Route settings:	3
OSD menu:	preset 95
Main features:	<ul style="list-style-type: none">• DIS - Digital Image Stabilization• D-WDR - Wide Dynamic Range• F-DNR (Defog) - Reduction of image noise caused by precipitation• Parking action - this function enables to locate the camera to specific position automatically if operator doesn't operate the controller for some time• ICR - Movable InfraRed filter• BLC - configurable Back Light Compensation• Auto White Balance• IR illuminator optimization• Mirror - Mirror image• Motion Detection - Split the screen into zones 22 x 18• Privacy zones - max. 4
Power supply:	12 V DC / 4 A (power adapter included)
Power consumption:	< 22 W
Housing:	Speed Dome, Metal
Color:	White + Black

"Index of Protection":	IP66
Operation temp:	-40 °C ... 60 °C
Weight:	2.35 kg (with bracket)
Dimensions:	330 x 280 x 190 mm (with bracket)
Supported languages:	English
Guarantee:	2 years



Bracket dimensions:



Camera connectors:



In the kit:



PACKAGE

Dimensions (L x W x H): 0x0x0 mm	Gross Weight: 0 kg
----------------------------------	--------------------