



User Manual

Code: TPC-SD2221-B7F8

IP HYBRID THERMAL IMAGING CAMERA **TPC-SD2221-B7F8** 7 mm - 960p, 8 mm - 1080p DAHUA

Warning!

Please read the user manual included in this work as it contains important information related with safety of installation and use of the device.

Only persons who read the user manual may use the device.

The user manual must be kept because it may be required in the future. The device is to be used exclusively for purposes specified in this user manual.

The device must be unpacked prior to starting-up. After removing the packaging make sure the device is in working order.

If the product has defects, it should not be used until it is repaired.

The product is intended for use at home and commercial use and may not be used for other than intended use.

The manufacturer is not liable for damages resulting from not adhering to the rules contained in the user manual, therefore, we recommend to follow the aforementioned safety rules for operation and maintenance of the device. In this way you will ensure yourself safety and avoid causing damage to the device.

The manufacturer and the supplier are not liable for losses or damages arising out of the product, including financial or intangible losses, loss of profits, income, data, pleasure from use of the product or other products related with it - indirect, incidental or consequential loss or damage. The above provisions apply whether the loss or damage concerns:

1. Deterioration of quality or the lack of operation of the products or products related with it due to damage as well as the lack of access to the product when it is undergoing repair, which results in stoppage the loss of user's time or a break in business activity;
2. Improper results of operation of the product or products related with it;
3. It applies to losses and damages according to any legal category, including negligence and other losses, termination of a contract, expressed or implied guarantee and strict liability (even if the manufacturer or the supplier was notified about the possibility of occurrence of such damages).

Safety measures:

Particular attention at designing was directed to quality standards of the device where ensuring safety of operation is the most important factor.

The device must be secured against contact with caustic, staining and viscous fluids.

The device was designed in such a way that it restarts operation when power supply is restored after a break.

Attention! We recommend using protections to further protect the device from possible overvoltages in installations. Surge protectors are effective protection against accidental pass to the device voltages higher than the rated. Damages caused by pass the voltages higher than specified in manual, are not under warranty.

Turn off the device before transporting it.

Prior to connecting the device to a power source check whether the supplied voltage is consistent with rated voltage specified in the user manual.

Proper product disposal:

A marking of a crossed out waste bin indicates that the product may not be disposed together with other household waste in the entire EU. To avoid possible damage to the natural environment of health due to uncontrolled waste disposal, therefore, it should be handed over for recycling, propagating in this way sustainable use of natural resources.

To return a worn-out product, use a collection and disposal system of this type of equipment or contact a seller from whom it was purchased. He will then be recycled in an environmentally-friendly way.

The TPC-SD2221-B7F8 Dual Thermal Imaging Camera is a modern solution that allows to detect the presence of people, animals and vehicles regardless of the prevailing vision conditions. The device is equipped with sensitive VOx microbolometer that allows to observe the objects in fog, smoke and in the absence of illumination. An additional advantage of the TPC series cameras is the ability to detect fire and send a signal to the alarm control panel when it occurs.



| | |
|-----------------------------|--|
| Sensor: | Uncooled VOx microbolometer |
| Matrix size: | 256 x 192 px |
| Pixel pitch: | 12 μ m |
| Thermal sensitivity (NETD): | < 50 mK |
| Spectral range: | 8 μ m ... 14 μ m |
| Color palettes: | 18 |
| Lens: | 7 mm |
| View angle: | 24 ° |
| Temperature measurement: | — |
| Resolution: | 1280 x 960 - 960p , 1024 x 768 px , 640 x 480 px , 256 x 192 px |

VIDEO CAMERA:

| | |
|------------------|-------------------------------|
| Sensor: | 1/2.8 " Progressive Scan CMOS |
| Matrix size: | 2.1 Mpx |
| Scanning system: | Progressive Scan CMOS |





User Manual

Code: TPC-SD2221-B7F8

IP HYBRID THERMAL IMAGING CAMERA **TPC-SD2221-B7F8** 7 mm - 960p, 8 mm - 1080p DAHUA

| | |
|---------------------------|--|
| Lens: | 8 mm |
| View angle: | 40 ° |
| Optical zoom: | — |
| Digital zoom: | — |
| Range of IR illumination: | 50 m |
| Resolution: | 1920 x 1080 - 1080p , 1280 x 720 - 720p , 704 x 576 - D1 |

General information:

| | |
|--------------------------------|---|
| Standard: | TCP/IP, CVBS |
| Video output: | CVBS - 1 Vpp / 75 Ω, BNC |
| RS-485 interface: | ✓ |
| Memory card slot: | Micro SD memory cards up to 256GB support (possible local recording) |
| Image compression method: | H.265 / H.264 / MJPEG |
| Alarm inputs / outputs: | 2 / 1 |
| Audio: | <ul style="list-style-type: none">• External microphone input• Audio output |
| Main stream frame rate: | 25 fps @ 1280 x 960 25 fps @ 1080p |
| Network interface: | 10/100 Base-T (RJ-45) |
| Network protocols: | HTTP, TCP, ARP, RTSP, RTP, UDP, RTCP, SMTP, FTP, DHCP, DNS, DDNS, PPPoE, IPv4/IPv6, SNMP, QoS, UPnP, NTP |
| WEB Server: | Built-in, NVR compliance |
| Max. number of on-line users: | 20 |
| ONVIF: | 18.12 |
| Mobile phones support: | Port 37777 <ul style="list-style-type: none">• Android: Free application DMSS• iOS (iPhone): Free application DMSS |
| Default IP address: | 192.168.1.108 |
| Default admin user / password: | admin / - The administrator password should be set at the first start |
| Web browser access ports: | 80, 37777 |
| PC client access ports: | 37777 |
| Mobile client access ports: | 37777 |
| Port ONVIF: | 80 |
| RTSP URL: | rtsp://admin:hasło@192.168.1.108:554/cam/realmonitor?channel=1&subtype=0 - Main stream rtsp://admin:hasło@192.168.1.108:554/cam/realmonitor?channel=1&subtype=1 - Sub stream |



User Manual

Code: TPC-SD2221-B7F8

IP HYBRID THERMAL IMAGING CAMERA **TPC-SD2221-B7F8** 7 mm - 960p, 8 mm - 1080p DAHUA

| | |
|----------------------------------|---|
| Preset rotation speed: | <ul style="list-style-type: none">• 240 °/s (horizontal)• 200 °/s (vertical) |
| Rotation speed (manual control): | <ul style="list-style-type: none">• 0.1 °/s ... 200 °/s (horizontal)• 0.1 °/s ... 120 °/s (vertical) |
| Horizontal rotation range: | 360 ° - continuous |
| Vertical rotation range: | -15 ° ... 90 ° |
| Protocols: | DH-SD, Pelco-P, Pelco-D |
| Number of presets: | 300 |
| Horizontal scan: | ✓ |
| Route settings: | 8 |
| Main features: | <ul style="list-style-type: none">• 2D-DNR, 3D-DNR - Digital Noise Reduction• F-DNR (Defog) - Reduction of image noise caused by precipitation• ROI - improve the quality of selected parts of image• D-WDR - Wide Dynamic Range• FFC - flat field correction• BLC/HLC - Back Light / High Light Compensation• AGC - Automatic Gain Control• Motion Detection• Configurable Privacy Zones• Sharpness - sharper image outlines• Mirror - Mirror image• 6kV protection of the camera and its structure against the effects of lightning• Intelligent alarm linked to turning on white light and loudspeaker• IVS analysis : Smoke detection, fire detection, crossing the line (tripwire), intrusion - classification of people and vehicles, object detection (people, vehicle), objects tracking |
| Power supply: | 12 V DC / 2 A |
| Power consumption: | ≤ 24 W |
| Housing: | Speed Dome |
| Color: | White |
| "Index of Protection": | IP66 |
| Operation temp: | -30 °C ... 60 °C |
| Weight: | 3.9 kg |
| Dimensions: | Ø 160 x 295 mm |
| Supported languages: | English, French, Spanish, Italian |
| Manufacturer / Brand: | DAHUA |
| Guarantee: | 3 years |



Memory card slot:



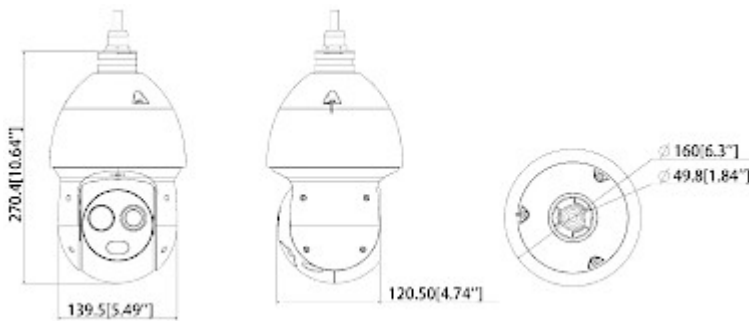
Camera connectors:

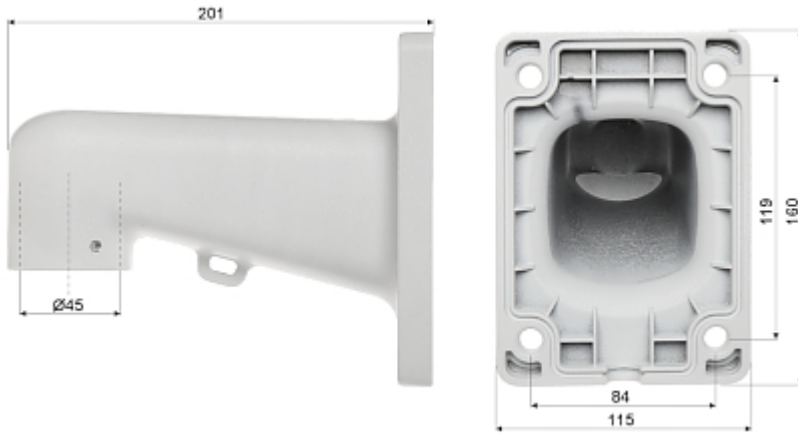


Connectors description:



Camera and bracket dimensions:





In the kit:



PACKAGE

| | |
|----------------------------------|--------------------|
| Dimensions (L x W x H): 0x0x0 mm | Gross Weight: 0 kg |
|----------------------------------|--------------------|