

## Warning!

Please read the user manual included in this work as it contains important information related with safety of installation and use of the device.

Only persons who read the user manual may use the device.

The user manual must be kept because it may be required in the future. The device is to be used exclusively for purposes specified in this user manual.

The device must be unpacked prior to starting-up. After removing the packaging make sure the device is in working order. If the product has defects, it should not be used until it is repaired.

The product is intended for use at home and commercial use and may not be used for other than intended use.

The manufacturer is not liable for damages resulting from not adhering to the rules contained in the user manual, therefore, we recommend to follow the aforementioned safety rules for operation and maintenance of the device. In this way you will ensure yourself safety and avoid causing damage to the device.

The manufacturer and the supplier are not liable for losses or damages arising out of the product, including financial or intangible losses, loss of profits, income, data, pleasure from use of the product or other products related with it - indirect, incidental or consequential loss or damage. The above provisions apply whether the loss or damage concerns:

1. Deterioration of quality or the lack of operation of the products or products related with it due to damage as well as the lack of access to the product when it is undergoing repair, which results in stoppage the loss of user's time or a break in business activity;
2. Improper results of operation of the product or products related with it;
3. It applies to losses and damages according to any legal category, including negligence and other losses, termination of a contract, expressed or implied guarantee and strict liability (even if the manufacturer or the supplier was notified about the possibility of occurrence of such damages).

### Safety measures:

Particular attention at designing was directed to quality standards of the device where ensuring safety of operation is the most important factor.

The device must be secured against contact with caustic, staining and viscous fluids.

The device was designed in such a way that it restarts operation when power supply is restored after a break.

**Attention! We recommend using protections to further protect the device from possible overvoltages in installations. Surge protectors are effective protection against accidental pass to the device voltages higher than the rated. Damages caused by pass the voltages higher than specified in manual, are not under warranty.**

Turn off the device before transporting it.

Prior to connecting the device to a power source check whether the supplied voltage is consistent with rated voltage specified in the user manual.

### Proper product disposal:

A marking of a crossed out waste bin indicates that the product may not be disposed together with other household waste in the entire EU. To avoid possible damage to the natural environment of health due to uncontrolled waste disposal, therefore, it should be handed over for recycling, propagating in this way sustainable use of natural resources.

To return a worn-out product, use a collection and disposal system of this type of equipment or contact a seller from whom it was purchased. He will then be recycled in an environmentally-friendly way.

Thermal Monocular Camera is a handheld thermal imaging camera, intended primarily for the observation of animals in their natural environments, as well as a supporting device in rescue, physical protection and hunting.

The great advantage of the thermal monocular camera is the built-in fire detection mode, which allows you to instantly locate the initial stage of a fire. Thanks to the use of a high-performance processor, the thermal monocular camera also allows you to measure the distance from the observed object (rangefinder function) using intelligent video analysis. The use of the Wi-Fi module allows for integration with the mobile application, which significantly affects the comfort of use. The device uses a built-in Li-Ion battery, which guarantees operation up to 9 hours on a single charge.





# User Manual

Code: TPC-M20-B10-G  
HANDHELD THERMAL MONOCULAR CAMERA **TPC-M20-B10-G** 10 mm DAHUA

Sensor:	Uncooled VOx microbolometer
Matrix size:	256 x 192 px
Pixel pitch:	12 $\mu$ m
Display:	0.2 " LCOS, 720 x 540 px
Thermal sensitivity (NETD):	$\leq$ 40 mK @ F1.0
Spectral range:	8 $\mu$ m ... 14 $\mu$ m
Color palettes:	4
Lens:	10 mm
View angle:	17.3 °
Video output:	CVBS
Memory card slot:	Micro SD memory cards up to 256GB support (possible local recording)
Image compression method:	H.265
Network interface:	Wi-Fi
Mobile phones support:	<ul style="list-style-type: none"><li>• Android: Free application <a href="#">DH Thermal</a></li><li>• iOS (iPhone): Free application <a href="#">DH Thermal</a></li></ul>
DRI Detection Distance:	460 m
Main features:	<ul style="list-style-type: none"><li>• Built-in fire detection mode,</li><li>• Measure the distance from an object - rangefinder function - determining the approximate distance to the observed object based on intelligent image analysis,</li><li>• Track the hottest or coldest spots in an image,</li><li>• Built-in laser pointer,</li><li>• Possibility to connect to an external monitor via the CVBS port - MMCX-J plug,</li><li>• 4 color palettes: IRON RED - mode for long-term observations, especially at night; BLACK HOT - for observing active, moving objects - higher temperature - darker color; WHITE HOT - for observing active, moving objects - higher temperature - lighter color; ALARM - instant detection of high temperature areas, e.g. fire</li><li>• Hotspot Wi-Fi</li><li>• The ability to take photos, video recordings and configure parameters using a mobile application and a mobile phone,</li><li>• micro USB connector (battery charging)</li><li>• D-ZOOM - Digital Zoom : 2x, 3x, 4x</li></ul>
Battery operation time:	$\leq$ 9 h
Typical battery charge time:	< 3 h
Power supply:	<ul style="list-style-type: none"><li>• Li-Ion battery,</li><li>• 5 V DC / 300 mA (power adapter included)</li></ul>
Power consumption:	< 1.5 W
Housing:	Compact - Plastic + Rubber
Color:	Black + Gray
Operation temp:	-20 °C ... 55 °C
"Index of Protection":	IP67
Weight:	0.35 kg
Dimensions:	168.7 x 58.3 x 58.6 mm



# User Manual

Code: TPC-M20-B10-G  
HANDHELD THERMAL MONOCULAR CAMERA **TPC-M20-B10-G** 10 mm DAHUA

Supported languages:	English
Manufacturer / Brand:	DAHUA
Guarantee:	<b>3 years</b>

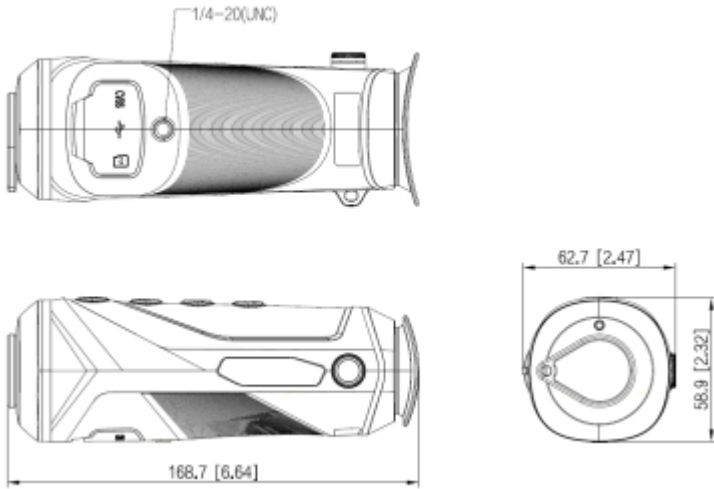


Top view:

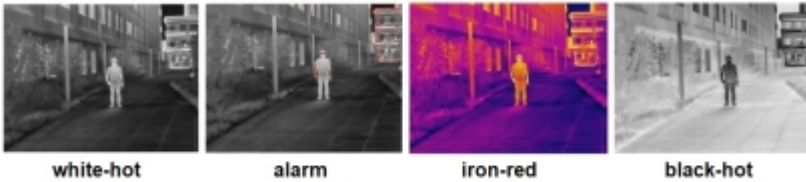


Dimensions:

mm [inch]



Color palettes:



Measure the distance from an object - rangefinder function:



PACKAGE

Dimensions (L x W x H): 0x0x0 mm	Gross Weight: 0 kg
----------------------------------	--------------------



# User Manual

Code: TPC-M20-B10-G

HANDHELD THERMAL MONOCULAR CAMERA **TPC-M20-B10-G** 10 mm DAHUA

---