



# User Manual

Code: TC-H366V SPEC:4MP/25X/IW/E/A/2.8MM  
IP SPEED DOME CAMERA OUTDOOR **TC-H366V SPEC:4MP/25X/IW/E/A/2.8MM** PANORAMIC -  
3.7 Mpx 4.8 ... 120 mm TIANDY

## Warning!

Please read the user manual included in this work as it contains important information related with safety of installation and use of the device.

Only persons who read the user manual may use the device.

The user manual must be kept because it may be required in the future. The device is to be used exclusively for purposes specified in this user manual.

The device must be unpacked prior to starting-up. After removing the packaging make sure the device is in working order. If the product has defects, it should not be used until it is repaired.

The product is intended for use at home and commercial use and may not be used for other than intended use.

The manufacturer is not liable for damages resulting from not adhering to the rules contained in the user manual, therefore, we recommend to follow the aforementioned safety rules for operation and maintenance of the device. In this way you will ensure yourself safety and avoid causing damage to the device.

The manufacturer and the supplier are not liable for losses or damages arising out of the product, including financial or intangible losses, loss of profits, income, data, pleasure from use of the product or other products related with it - indirect, incidental or consequential loss or damage. The above provisions apply whether the loss or damage concerns:

1. Deterioration of quality or the lack of operation of the products or products related with it due to damage as well as the lack of access to the product when it is undergoing repair, which results in stoppage the loss of user's time or a break in business activity;
2. Improper results of operation of the product or products related with it;
3. It applies to losses and damages according to any legal category, including negligence and other losses, termination of a contract, expressed or implied guarantee and strict liability (even if the manufacturer or the supplier was notified about the possibility of occurrence of such damages).

### Safety measures:

Particular attention at designing was directed to quality standards of the device where ensuring safety of operation is the most important factor.

The device must be secured against contact with caustic, staining and viscous fluids.

The device was designed in such a way that it restarts operation when power supply is restored after a break.

**Attention! We recommend using protections to further protect the device from possible overvoltages in installations. Surge protectors are effective protection against accidental pass to the device voltages higher than the rated. Damages caused by pass the voltages higher than specified in manual, are not under warranty.**

Turn off the device before transporting it.

Prior to connecting the device to a power source check whether the supplied voltage is consistent with rated voltage specified in the user manual.

### Proper product disposal:

A marking of a crossed out waste bin indicates that the product may not be disposed together with other household waste in the entire EU. To avoid possible damage to the natural environment of health due to uncontrolled waste disposal, therefore, it should be handed over for recycling, propagating in this way sustainable use of natural resources.

To return a worn-out product, use a collection and disposal system of this type of equipment or contact a seller from whom it was purchased. He will then be recycled in an environmentally-friendly way.

The Speed Dome IP camera, in addition to the traditional PTZ camera module, also has a panoramic camera module mounted in the same housing. Due to above it is perfect solution for surveillance systems requiring persons or vehicles recognition.

Built-in IR illuminator allows to operate at night conditions, and vari-focal lens with wide range of view angle adjustment enables optimal set the view field of camera to all conditions. The range of IR illumination according to the manufacturer data, depends on outer conditions (visibility - air transparency, environment, wall colors ie. scene reflectance).

For a few models of IP cameras working at  $\geq 1920 \times 1080$  resolution we recommend to use of network with 1Gb/s bandwidth.



Standard:	IP
Resolution:	<ul style="list-style-type: none"> <li>• Camera PTZ : 2560 x 1440 - 3.7 Mpx , 2304 x 1296 - 3 Mpx , 1920 x 1080 - 1080p 1280 x 720 - 720p ,</li> <li>• Panoramic camera : 3840 x 1568 - 6 Mpx 3632 x 1480 - 5.3 Mpx</li> </ul>
Sensor:	<ul style="list-style-type: none"> <li>• Camera PTZ : 1/2.7 " Progressive Scan CMOS,</li> <li>• Panoramic camera : 2 x 1/1.8 " Progressive Scan CMOS</li> </ul>
Matrix size:	<ul style="list-style-type: none"> <li>• Camera PTZ : 3.7 Mpx</li> <li>• Panoramic camera : 13 Mpx</li> </ul>
Lens:	<ul style="list-style-type: none"> <li>• Camera PTZ : 4.8 ... 120 mm</li> <li>• Panoramic camera : 2 x 3.3 mm</li> </ul>
View angle:	<ul style="list-style-type: none"> <li>• Camera PTZ : 58 ° ... 2.8 ° ,</li> <li>• Panoramic camera : 190 ° - A panoramic image</li> </ul>
Optical zoom:	x 25
Digital zoom:	x 16
Range of IR illumination:	150 m
White light LED illuminator range:	30 m



# User Manual

Code: TC-H366V SPEC:4MP/25X/IW/E/A/2.8MM  
IP SPEED DOME CAMERA OUTDOOR **TC-H366V SPEC:4MP/25X/IW/E/A/2.8MM** PANORAMIC -  
3.7 Mpx 4.8 ... 120 mm TIANDY

Preset rotation speed:	<ul style="list-style-type: none"><li>• 180 °/s (horizontal)</li><li>• 180 °/s (vertical)</li></ul>
Rotation speed (manual control):	<ul style="list-style-type: none"><li>• 0.1 °/s ... 120 °/s (horizontal)</li><li>• 0.1 °/s ... 120 °/s (vertical)</li></ul>
Horizontal rotation range:	360 ° - continuous
Vertical rotation range:	-16 ° ... 90 °
RS-485 interface:	—
Number of presets:	500
Horizontal scan:	✓
Route settings:	8
Image compression method:	S+265 / H.265 / H.264 / MJPEG
Alarm inputs / outputs:	2 / 1
Audio:	<ul style="list-style-type: none"><li>• Audio input,</li><li>• Audio output,</li><li>• Speaker built-in,</li><li>• Bi-directional audio streaming support</li><li>• Compliance with the AAC standard</li></ul>
Main stream frame rate:	<ul style="list-style-type: none"><li>• Camera PTZ : 25 fps @ 3.7 Mpx</li><li>• Panoramic camera : 25 fps @ 6 Mpx</li></ul>
Interface:	100/1000 Base-T (RJ-45)
WEB Server:	Built-in
Max. number of on-line users:	32
ONVIF:	✓
Memory card slot:	Micro SD card support up to 512GB
Mobile phones support:	Port no.: 3000 or access by a cloud (P2P) <ul style="list-style-type: none"><li>• Android: Free application <a href="#">EasyLive Plus</a></li><li>• iOS (iPhone): Free application <a href="#">EasyLive Plus</a></li></ul>
Access from PC:	Port no.: 3000 or access by a cloud (P2P) - PC: Free application <a href="#">Easy7 Smart Client Express</a>
Default IP address:	DHCP or 192.168.1.2
Default admin user / password:	admin / - The administrator password should be set at the first start
Web browser access ports:	80, 443, 3000, 3001, 3002, 23002
Mobile client access ports:	3000, 3001
PC client access ports:	3000, 3001
Port ONVIF:	80

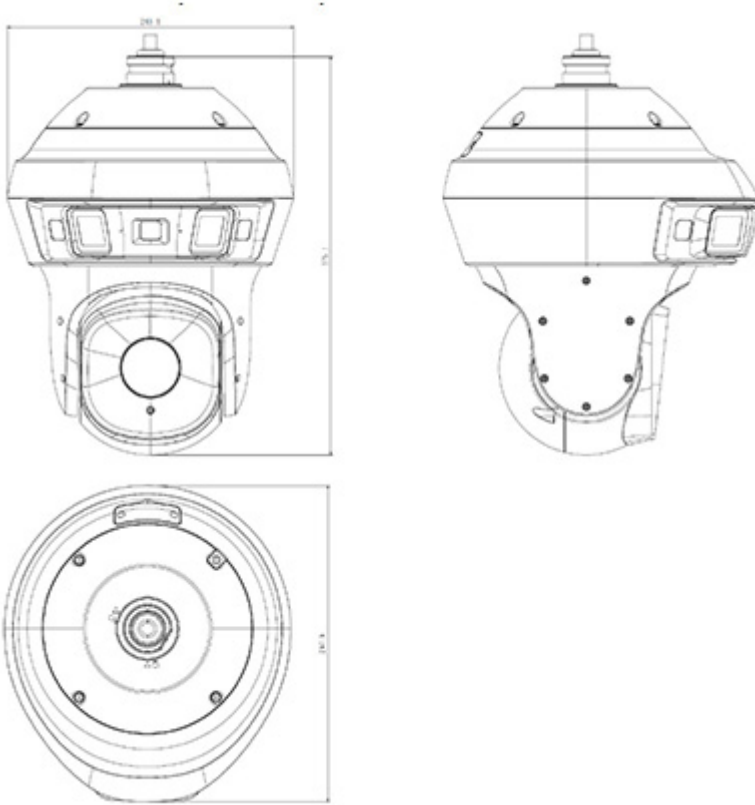


# User Manual

Code: TC-H366V SPEC:4MP/25X/IW/E/A/2.8MM  
IP SPEED DOME CAMERA OUTDOOR **TC-H366V SPEC:4MP/25X/IW/E/A/2.8MM** PANORAMIC -  
3.7 Mpx 4.8 ... 120 mm TIANDY

Main features:	<ul style="list-style-type: none"><li>• Automatic tracking of moving objects</li><li>• Early Warning (EW) - combination of white light warning with audio signals</li><li>• D-WDR - Wide Dynamic Range - Panoramic camera</li><li>• WDR - 120 dB - Wide Dynamic Range - Camera PTZ</li><li>• 3D-DNR - Digital Noise Reduction</li><li>• F-DNR (Defog) - Reduction of image noise caused by precipitation</li><li>• ROI - improve the quality of selected parts of image</li><li>• ANR - Automatic Network Replenishment allows to save image to the card when the network connection with DVR is break (network failure) and next synchronize its</li><li>• NAS - Network Attached Storage support - allows to connect memory resources directly to the computer network</li><li>• BLC/HLC - Back Light / High Light Compensation</li><li>• ICR - Movable InfraRed filter</li><li>• Day/night mode</li><li>• Auto White Balance</li><li>• Sharpness - sharper image outlines</li><li>• Configurable: brightness, contrast, saturation</li><li>• Privacy zones</li><li>• Intelligent 3D Positioning System</li><li>• Filtering of false alarms based on the recognition of persons and vehicles</li><li>• The camera is equipped with a built-in heater with a thermostat</li></ul>
Intelligent image analysis:	<p>Panoramic camera :</p> <ul style="list-style-type: none"><li>• crossing the line (tripwire)</li><li>• double crossing the line</li><li>• heat map</li></ul> <p>Camera PTZ :</p> <ul style="list-style-type: none"><li>• crossing the line (tripwire)</li><li>• abandoned/missing object</li><li>• intrusion</li><li>• detection of loitering in a given area</li><li>• parking detection</li><li>• heat map</li><li>• detection of people gathering</li><li>• people counting</li><li>• detection of persons on duty</li><li>• running</li><li>• video tampering</li><li>• Audio detection</li><li>• double crossing the line</li><li>• face detection</li><li>• Intelligent Object Tracking</li></ul>
Power supply:	<ul style="list-style-type: none"><li>• PoE (802.3bt),</li><li>• 24 V AC</li></ul>
Power consumption:	≤ 76 W
Housing:	Speed Dome, Metal
Color:	White + Black
Operation temp:	-40 °C ... 70 °C
"Index of Protection":	IP66
Weight:	5.33 kg
Dimensions:	298 x 270 x 375 mm (without bracket)
Manufacturer / Brand:	TIANDY
Guarantee:	<b>3 years</b>

Camera dimensions:



PACKAGE

Dimensions (L x W x H): 0x0x0 mm	Gross Weight: 0 kg
----------------------------------	--------------------