

Warning!

Please read the user manual included in this work as it contains important information related with safety of installation and use of the device.

Only persons who read the user manual may use the device.

The user manual must be kept because it may be required in the future. The device is to be used exclusively for purposes specified in this user manual.

The device must be unpacked prior to starting-up. After removing the packaging make sure the device is in working order. If the product has defects, it should not be used until it is repaired.

The product is intended for use at home and commercial use and may not be used for other than intended use.

The manufacturer is not liable for damages resulting from not adhering to the rules contained in the user manual, therefore, we recommend to follow the aforementioned safety rules for operation and maintenance of the device. In this way you will ensure yourself safety and avoid causing damage to the device.

The manufacturer and the supplier are not liable for losses or damages arising out of the product, including financial or intangible losses, loss of profits, income, data, pleasure from use of the product or other products related with it - indirect, incidental or consequential loss or damage. The above provisions apply whether the loss or damage concerns:

1. Deterioration of quality or the lack of operation of the products or products related with it due to damage as well as the lack of access to the product when it is undergoing repair, which results in stoppage the loss of user's time or a break in business activity;
2. Improper results of operation of the product or products related with it;
3. It applies to losses and damages according to any legal category, including negligence and other losses, termination of a contract, expressed or implied guarantee and strict liability (even if the manufacturer or the supplier was notified about the possibility of occurrence of such damages).

Safety measures:

Particular attention at designing was directed to quality standards of the device where ensuring safety of operation is the most important factor.

The device must be secured against contact with caustic, staining and viscous fluids.

The device was designed in such a way that it restarts operation when power supply is restored after a break.

Attention! We recommend using protections to further protect the device from possible overvoltages in installations. Surge protectors are effective protection against accidental pass to the device voltages higher than the rated. Damages caused by pass the voltages higher than specified in manual, are not under warranty.

Turn off the device before transporting it.

Prior to connecting the device to a power source check whether the supplied voltage is consistent with rated voltage specified in the user manual.

Proper product disposal:

A marking of a crossed out waste bin indicates that the product may not be disposed together with other household waste in the entire EU. To avoid possible damage to the natural environment of health due to uncontrolled waste disposal, therefore, it should be handed over for recycling, propagating in this way sustainable use of natural resources.

To return a worn-out product, use a collection and disposal system of this type of equipment or contact a seller from whom it was purchased. He will then be recycled in an environmentally-friendly way.

IP camera equipped with very good high resolution sensor. Due to above it is perfect solution for surveillance systems requiring persons or vehicles recognition.

Very easy operation by Internet Explorer browser allows the users to convenient and remote support, and also remote management of the camera. Included camera software enables management and integrated monitoring of many network cameras.

For a few models of IP cameras working at $\geq 1920 \times 1080$ resolution we recommend to use of network with 1Gb/s bandwidth.



Standard:	TCP/IP
Sensor:	1/2.7 " OmniVision Low Illumination CMOS
Digital Image Processor:	Hisilicon 3516C
Matrix size:	2.0 Mpx
Resolution:	1920 x 1080 - 1080p 1280 x 960 - 1.3 Mpx 1280 x 720 - 720p 720 x 576 - D1 720 x 480 640 x 480
Scanning system:	Progressive
Lens:	3.9 ... 85.5 mm
View angle:	<ul style="list-style-type: none"> • 55 ° ... 3.4 ° (manufacturer data) • 40 ° ... 5 ° (our tests result)
Optical zoom:	x 22
Auto IR illuminator:	Adaptive adjusting of the IR illuminator power to the lens zoom and outdoor light conditions
Range of IR illumination:	120 m
S/N ratio:	≥ 58 dB (AGC off)



User Manual

Code: OMEGA-21P22-12

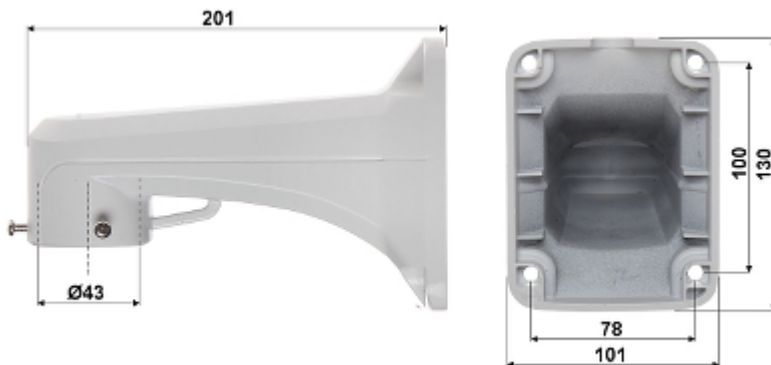
IP SPEED DOME CAMERA OUTDOOR **OMEGA-21P22-12** - 1080p 3.9 ... 85.5 mm

Video output:	—
Rotation speed (manual control):	20 °/s (horizontal) 30 °/s (vertical)
Preset rotation speed:	30 °/s
Horizontal rotation range:	360 ° continuous
Vertical rotation range:	0 ° ... 93 °
RS-485 interface:	—
Number of presets:	255
Horizontal scan:	✓
Route settings:	3
Image compression method:	H.264 / MJPEG
Protections:	Overvoltage
Alarm inputs / outputs:	—
Network interface:	10/100 Base-T (RJ-45)
Network protocols:	TCP/IP, UDP, HTTP, DHCP, RTP/RTSP, DNS, DDNS, NTP, PPPOE, UPNP
ONVIF:	2.4
Mobile phones support:	—
Default IP address:	192.169.1.110
Default admin user / password:	admin / admin
OSD menu:	✓ preset 95
Main features:	<ul style="list-style-type: none">• DIS - Digital Image Stabilization• F-DNR (Defog) - Reduction of image noise caused by precipitation• WDR - Wide Dynamic Range• 3D-DNR - Digital Noise Reduction• ICR - Movable InfraRed filter• BLC - configurable Back Light Compensation• Auto White Balance• Day/Night mode (color/b&w/auto)• Parking action - this function enables to locate the camera to specific position automatically if operator doesn't operate the controller for some time• IR illuminator optimization• Mirror - Mirror image• Motion Detection - 18 x 22 motion zones• Privacy zones - max. 4• ROI - improve the quality of selected parts of image• AGC - Automatic Gain Control• Configurable: brightness, contrast, saturation• Sharpness - sharper image outlines
Power supply:	12 V DC / 3 A (power adapter included)
Housing:	Speed Dome, Metal
Color:	White
Operation temp:	-40 °C ... 60 °C
"Index of Protection":	IP66

Weight:	3.91 kg (with bracket)
Dimensions:	390 x 291 x 213 mm (with bracket)
Supported languages:	English
Manufacturer / Brand:	OMEGA
Guarantee:	2 years



Bracket dimensions:



Camera connectors:



In the kit:



PACKAGE

Dimensions (L x W x H): 0x0x0 mm	Gross Weight: 0 kg
----------------------------------	--------------------



User Manual

Code: OMEGA-21P22-12

IP SPEED DOME CAMERA OUTDOOR **OMEGA-21P22-12** - 1080p 3.9 ... 85.5 mm
