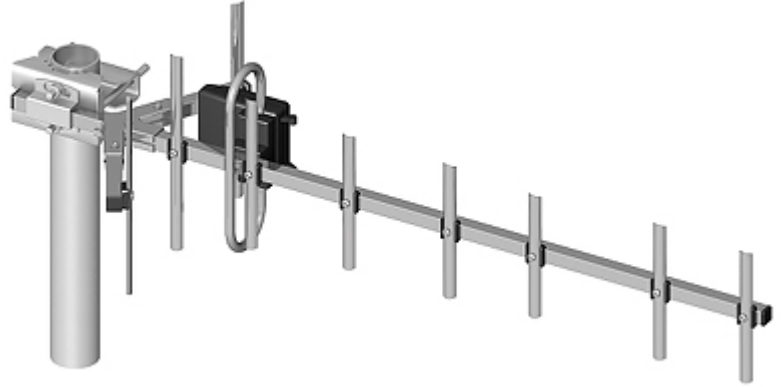


Code: ATK-10/800-980+FME

DIRECTIONAL ANTENNA **ATK-10/800-980+FME** GSM

Antenna with integrated balun. Some antenna parts are made from aluminum, steel construction elements are galvanized.



Frequency range:	800 ... 980 MHz GSM
Connector:	FME Socket
Gain :	max. 12.8 dBi
Impedance:	50 Ω
Polarization:	Vertical
Main features:	<ul style="list-style-type: none"> • Length of the cable : 10 m • Number of elements : 10 • Very easy and quick assembly
Weight:	0.7 kg
Dimensions:	700 mm
Guarantee:	2 years