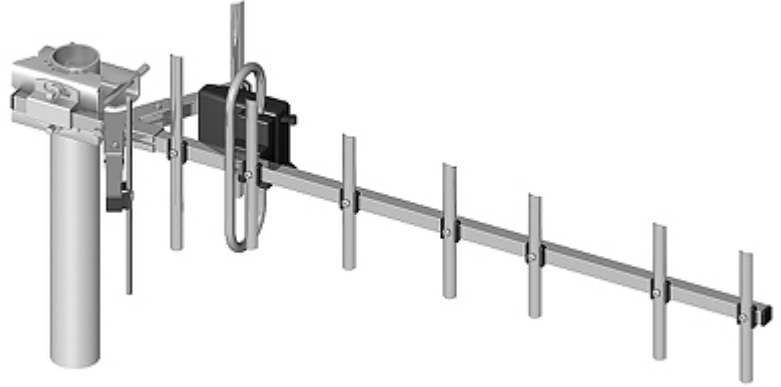


Code: ATK-10/800-980+N

## DIRECTIONAL ANTENNA **ATK-10/800-980+N** GSM

Antenna with integrated balun. Some antenna parts are made from aluminum, steel construction elements are galvanized.



Frequency range:	800 ... 980 MHz GSM
Connector:	"N" Plug
Gain :	max. 12.8 dBi
Impedance:	50 Ω
Polarization:	Vertical
Main features:	<ul style="list-style-type: none"> <li>• Length of the cable : 10 m</li> <li>• Number of elements : 10</li> <li>• Very easy and quick assembly</li> </ul>
Weight:	1.2 kg
Dimensions:	700 mm
Guarantee:	2 years