

## Warning!

Please read the user manual included in this work as it contains important information related with safety of installation and use of the device.

Only persons who read the user manual may use the device.

The user manual must be kept because it may be required in the future. The device is to be used exclusively for purposes specified in this user manual.

The device must be unpacked prior to starting-up. After removing the packaging make sure the device is in working order. If the product has defects, it should not be used until it is repaired.

The product is intended for use at home and commercial use and may not be used for other than intended use.

The manufacturer is not liable for damages resulting from not adhering to the rules contained in the user manual, therefore, we recommend to follow the aforementioned safety rules for operation and maintenance of the device. In this way you will ensure yourself safety and avoid causing damage to the device.

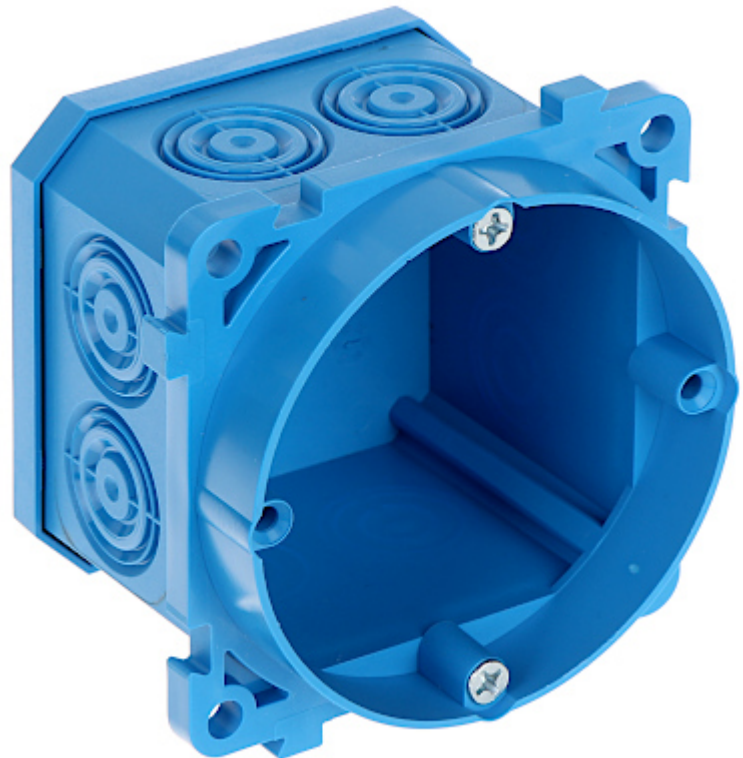
The manufacturer and the supplier are not liable for losses or damages arising out of the product, including financial or intangible losses, loss of profits, income, data, pleasure from use of the product or other products related with it - indirect, incidental or consequential loss or damage. The above provisions apply whether the loss or damage concerns:

1. Deterioration of quality or the lack of operation of the products or products related with it due to damage as well as the lack of access to the product when it is undergoing repair, which results in stoppage the loss of user's time or a break in business activity;
2. Improper results of operation of the product or products related with it;
3. It applies to losses and damages according to any legal category, including negligence and other losses, termination of a contract, expressed or implied guarantee and strict liability (even if the manufacturer or the supplier was notified about the possibility of occurrence of such damages).

### Safety measures:

Particular attention at designing was directed to quality standards of the device where ensuring safety of operation is the most important factor.

The device must be secured against contact with caustic, staining and viscous fluids.

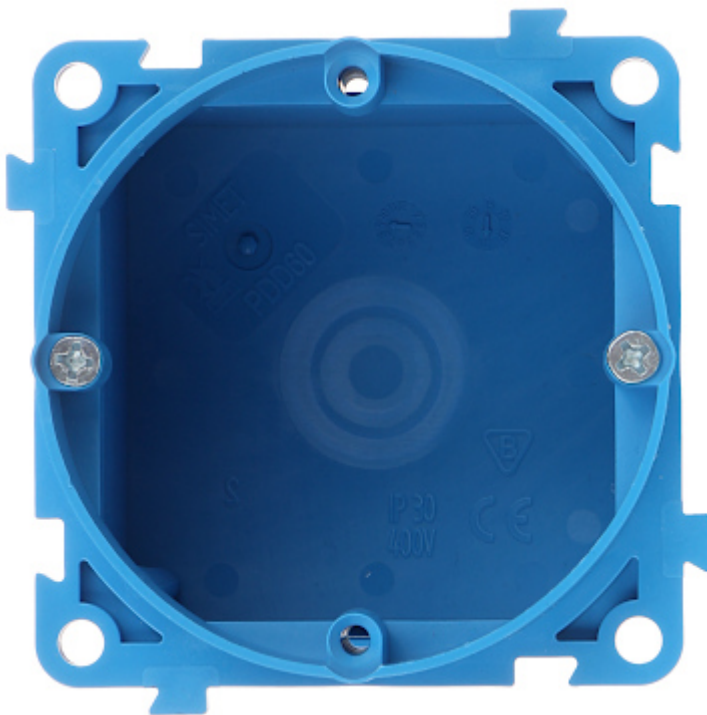


A specialist box for cavity walls. A special feature of the box is the installation in a cavity wall, with its embedding from the inside. After drilling the  $\varnothing$  68mm mounting hole, the box can be fixed in a wood panelled wall, using four screws. The extended box flange enters the hole to a depth of 12 mm. The box can be deepened using the PD60x30 segment extension ring or attach the accessories with 25mm or 40mm extended screws. Openable box bottom allows to efficiently make cable entries.

The box is made from non-halogen, self-extinguishing plastic. The box has a serial construction that gives the possibility of combining into multiple blocks of boxes.

Number of sections:	1
"Index of Protection":	IP30
Main features:	<ul style="list-style-type: none"> <li>• Flush, serial, for hollow walls, for wooden houses</li> <li>• Class V0</li> <li>• flammability index : 960 °C</li> <li>• 4 fixing points</li> <li>• 2 Mounting screws - included</li> <li>• Screwed cover with screws</li> <li>• Body screwed from the back of the wall with screws</li> </ul>
Material:	halogen free and inflammable
Color:	Blue
Weight:	0.042 kg
Mounting holes distance:	60 mm
Dimensions:	73 x 73 x 59 mm
Manufacturer / Brand:	SIMET
Guarantee:	2 years

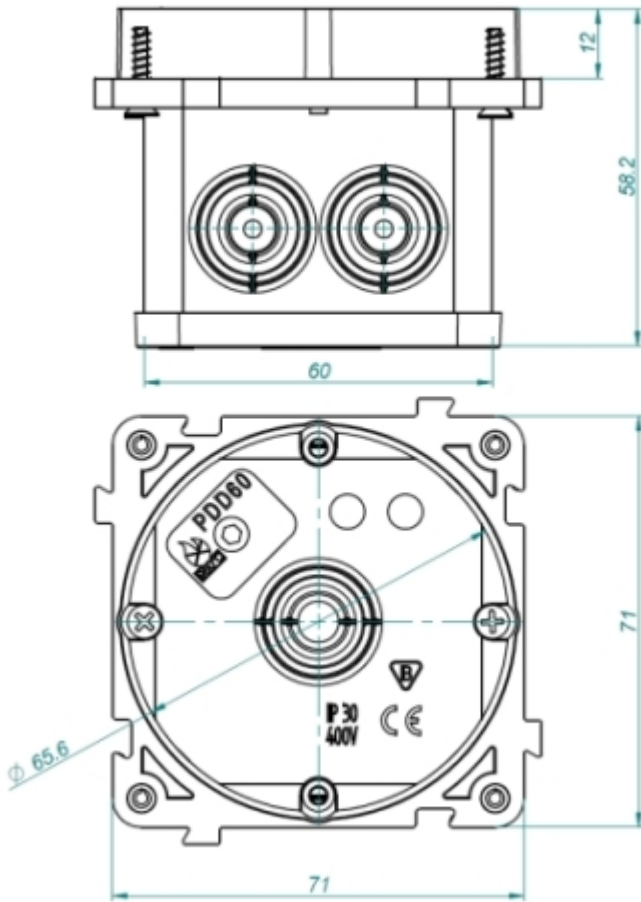
Front view:



Rear view:



Dimensions:



Possibility to combine to each other:



## PACKAGE

Dimensions (L x W x H): 0x0x0 mm	Gross Weight: 0 kg
----------------------------------	--------------------