



User Manual

Code: PTZ1C203UE-GN-W

PTZ OUTDOOR IP CAMERA **PTZ1C203UE-GN-W** Wi-Fi, - 1080p 2.7 ... 8.1 mm DAHUA

Warning!

Please read the user manual included in this work as it contains important information related with safety of installation and use of the device.

Only persons who read the user manual may use the device.

The user manual must be kept because it may be required in the future. The device is to be used exclusively for purposes specified in this user manual.

The device must be unpacked prior to starting-up. After removing the packaging make sure the device is in working order. If the product has defects, it should not be used until it is repaired.

The product is intended for use at home and commercial use and may not be used for other than intended use.

The manufacturer is not liable for damages resulting from not adhering to the rules contained in the user manual, therefore, we recommend to follow the aforementioned safety rules for operation and maintenance of the device. In this way you will ensure yourself safety and avoid causing damage to the device.

The manufacturer and the supplier are not liable for losses or damages arising out of the product, including financial or intangible losses, loss of profits, income, data, pleasure from use of the product or other products related with it - indirect, incidental or consequential loss or damage. The above provisions apply whether the loss or damage concerns:

1. Deterioration of quality or the lack of operation of the products or products related with it due to damage as well as the lack of access to the product when it is undergoing repair, which results in stoppage the loss of user's time or a break in business activity;
2. Improper results of operation of the product or products related with it;
3. It applies to losses and damages according to any legal category, including negligence and other losses, termination of a contract, expressed or implied guarantee and strict liability (even if the manufacturer or the supplier was notified about the possibility of occurrence of such damages).

Safety measures:

Particular attention at designing was directed to quality standards of the device where ensuring safety of operation is the most important factor.

The device must be secured against contact with caustic, staining and viscous fluids.

The device was designed in such a way that it restarts operation when power supply is restored after a break.

Attention! We recommend using protections to further protect the device from possible overvoltages in installations. Surge protectors are effective protection against accidental pass to the device voltages higher than the rated. Damages caused by pass the voltages higher than specified in manual, are not under warranty.

Turn off the device before transporting it.

Prior to connecting the device to a power source check whether the supplied voltage is consistent with rated voltage specified in the user manual.

Proper product disposal:

A marking of a crossed out waste bin indicates that the product may not be disposed together with other household waste in the entire EU. To avoid possible damage to the natural environment of health due to uncontrolled waste disposal, therefore, it should be handed over for recycling, propagating in this way sustainable use of natural resources.

To return a worn-out product, use a collection and disposal system of this type of equipment or contact a seller from whom it was purchased. He will then be recycled in an environmentally-friendly way.

IP camera equipped with very good high resolution sensor. Due to above it is perfect solution for surveillance systems requiring persons or vehicles recognition.

Thanks to the "Starlight" technology used, the camera only needs very low lighting to obtain a clear color image.

Built-in Infra-Red illuminator enables night monitoring. The range of IR illumination according to the manufacturer data, depends on outer conditions (visibility - air transparency, environment, wall colors ie. scene reflectance).

For a few models of IP cameras working at $\geq 1920 \times 1080$ resolution we recommend to use of network with 1Gb/s bandwidth.

The Wi-Fi module used in the device allows the device to operate also in places with limited wiring possibilities.



Standard:	TCP/IP
Sensor:	1/2.8 " STARVIS™ CMOS
Matrix size:	2.1 Mpx
Resolution:	1920 x 1080 - 1080p 1280 x 960 - 1.3 Mpx 1280 x 720 - 720p
Lens:	2.7 ... 8.1 mm
View angle:	<ul style="list-style-type: none"> • 107 ° ... 46 ° (manufacturer data) • 100 ° ... 46 ° (our tests result)
Optical zoom:	x 3
Digital zoom:	x 16
Range of IR illumination:	20 m
Video output:	—
Rotation speed (manual control):	<ul style="list-style-type: none"> • 6 °/s (horizontal), • 3 °/s (vertical)
Preset rotation speed:	—
Horizontal rotation range:	0 ° ... 180 ° - Rotation of the head is limited by stops
Vertical rotation range:	-5 ° ... 55 °



User Manual

Code: PTZ1C203UE-GN-W

PTZ OUTDOOR IP CAMERA **PTZ1C203UE-GN-W** Wi-Fi, - 1080p 2.7 ... 8.1 mm DAHUA

RS-485 interface:	—
Number of presets:	—
Horizontal scan:	—
Route settings:	—
Image compression method:	H.265+ / H.265 / H.264+ / H.264 / MJPEG
Bitrate:	216 ... 8192 kbps - H.264 , 108 ... 8192 kbps - H.265
Alarm inputs / outputs:	—
Main stream frame rate:	25 fps @ 1080p
Memory card slot:	Micro SD memory cards up to 256GB support (possible local recording)
Network interface:	<ul style="list-style-type: none">• 10/100 Base-T (RJ-45)• Wi-Fi module
Network protocols:	IPv4/IPv6, HTTP, HTTPS, IEEE 802.1x, QoS, FTP, SMTP, UPnP, DNS, DDNS, NTP, SNMP, ARP, RTP, RTSP, RTMP, RTCP, TCP/IP, UDP, IGMP, ICMP, DHCP, PPPoE
WEB Server:	Built-in, NVR compliance
Max. number of on-line users:	20
ONVIF:	18.06
Audio:	<ul style="list-style-type: none">• External microphone input• Audio output• Bi-directional audio streaming support
Mobile phones support:	Port 37777 <ul style="list-style-type: none">• Android: Free application DMSS• iOS (iPhone): Free application DMSS
Default admin user / password:	admin / - The administrator password should be set at the first start
Default IP address:	192.168.1.108
Web browser access ports:	80, 37777
PC client access ports:	37777
Mobile client access ports:	37777
Port ONVIF:	80
RTSP URL:	rtsp://admin:haslo@192.168.1.108:554/cam/realmonitor?channel=1&subtype=0 - Main stream rtsp://admin:haslo@192.168.1.108:554/cam/realmonitor?channel=1&subtype=1 - Sub stream



User Manual

Code: PTZ1C203UE-GN-W

PTZ OUTDOOR IP CAMERA **PTZ1C203UE-GN-W** Wi-Fi, - 1080p 2.7 ... 8.1 mm DAHUA

Main features:	<ul style="list-style-type: none">• Built-in Wi-Fi module• WDR - 120 dB - Wide Dynamic Range• 2D-DNR, 3D-DNR - Digital Noise Reduction• EIS - Electronic Image Stabilization• ROI - improve the quality of selected parts of image• F-DNR (Defog) - Reduction of image noise caused by precipitation• ICR - Movable InfraRed filter• BLC - Back Light Compensation• HLC - High Light Compensation (spot)• Day/night mode• Motion Detection• Heat map - the selection in the image by corresponding colors the areas with different traffic• IVS analysis : crossing the line (tripwire), intrusion, abandoned/missing object, face detection
Power supply:	12 V DC / 920 mA
Power consumption:	≤ 11 W
Housing:	Compact, Aluminum
Color:	White
"Index of Protection":	IP66
Operation temp:	-30 °C ... 60 °C
Weight:	1 kg
Dimensions:	<ul style="list-style-type: none">• 195 x 90 x 103 mm - Wall mounting• 191 x 90 x 112 mm - Ceiling mounting
Supported languages:	Polish, English, Czech, French, Spanish, Dutch, German, Portuguese, Russian, Italian
Manufacturer / Brand:	DAHUA
Guarantee:	3 years



Side view:



Memory card slot:



Mounting side view:



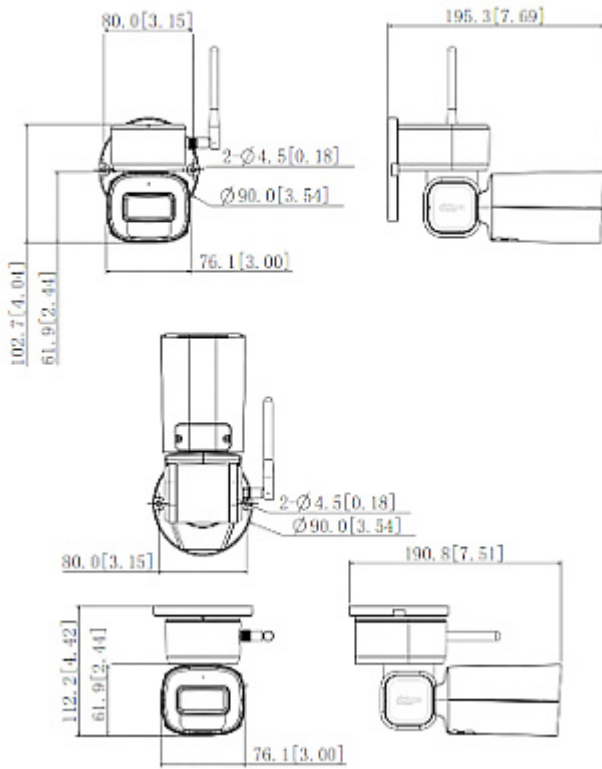
Camera connectors:



Connectors description:



Dimensions:



See how to initialize DAHUA cameras:

:

In the kit:



PACKAGE

Dimensions (L x W x H): 0x0x0 mm	Gross Weight: 0 kg
----------------------------------	--------------------

