



User Manual

Code: ASI7213X-T1

ACCESS CONTROLLER WITH TEMPERATURE MEASUREMENT **ASI7213X-T1** - 1080p DAHUA

Warning!

Please read the user manual included in this work as it contains important information related with safety of installation and use of the device.

Only persons who read the user manual may use the device.

The user manual must be kept because it may be required in the future. The device is to be used exclusively for purposes specified in this user manual.

The device must be unpacked prior to starting-up. After removing the packaging make sure the device is in working order.

If the product has defects, it should not be used until it is repaired.

The product is intended for use at home and commercial use and may not be used for other than intended use.

The manufacturer is not liable for damages resulting from not adhering to the rules contained in the user manual, therefore, we recommend to follow the aforementioned safety rules for operation and maintenance of the device. In this way you will ensure yourself safety and avoid causing damage to the device.

The manufacturer and the supplier are not liable for losses or damages arising out of the product, including financial or intangible losses, loss of profits, income, data, pleasure from use of the product or other products related with it - indirect, incidental or consequential loss or damage. The above provisions apply whether the loss or damage concerns:

1. Deterioration of quality or the lack of operation of the products or products related with it due to damage as well as the lack of access to the product when it is undergoing repair, which results in stoppage the loss of user's time or a break in business activity;
2. Improper results of operation of the product or products related with it;
3. It applies to losses and damages according to any legal category, including negligence and other losses, termination of a contract, expressed or implied guarantee and strict liability (even if the manufacturer or the supplier was notified about the possibility of occurrence of such damages).

Safety measures:

Particular attention at designing was directed to quality standards of the device where ensuring safety of operation is the most important factor.

The device must be secured against contact with caustic, staining and viscous fluids.

The device was designed in such a way that it restarts operation when power supply is restored after a break.

Attention! We recommend using protections to further protect the device from possible overvoltages in installations. Surge protectors are effective protection against accidental pass to the device voltages higher than the rated. Damages caused by pass the voltages higher than specified in manual, are not under warranty.

Turn off the device before transporting it.

Prior to connecting the device to a power source check whether the supplied voltage is consistent with rated voltage specified in the user manual.

Proper product disposal:

A marking of a crossed out waste bin indicates that the product may not be disposed together with other household waste in the entire EU. To avoid possible damage to the natural environment of health due to uncontrolled waste disposal, therefore, it should be handed over for recycling, propagating in this way sustainable use of natural resources.

To return a worn-out product, use a collection and disposal system of this type of equipment or contact a seller from whom it was purchased. He will then be recycled in an environmentally-friendly way.



Access controller based on face recognition with body surface temperature measurement function.

A solution dedicated to measuring temperature. The camera is able to detect increased object temperature. It can be used for preliminary temperature control in places such as customs, airports, schools and hospitals. Face recognition with extended functionality allows you to determine whether the observed person has a protective mask and in the absence of a mask perform the appropriate action, e.g. trigger a voice message reminding to cover the face.

Sensor:	1/2.8 " CMOS
Matrix size:	2.1 Mpx
Optical zoom:	—
Resolution:	1920 x 1080 - 1080p

Auxiliary camera:

Matrix size:	120 x 90 px
View angle:	50 °
Resolution:	120 x 90 px

General information:

Standard:	TCP/IP
Range of IR illumination:	5 m
White light LED illuminator range:	5 m
Temperature measurement:	✓
Temperature measurement range:	30 °C ... 50 °C
Accuracy of temperature measurement:	± 0.1 °C
Face recognition distance:	0.3 m ... 1.8 m (max 100 000 faces in the database)
RFID proximity reader built-in:	13.56 MHz S50





User Manual

Code: ASI7213X-T1

ACCESS CONTROLLER WITH TEMPERATURE MEASUREMENT ASI7213X-T1 - 1080p DAHUA

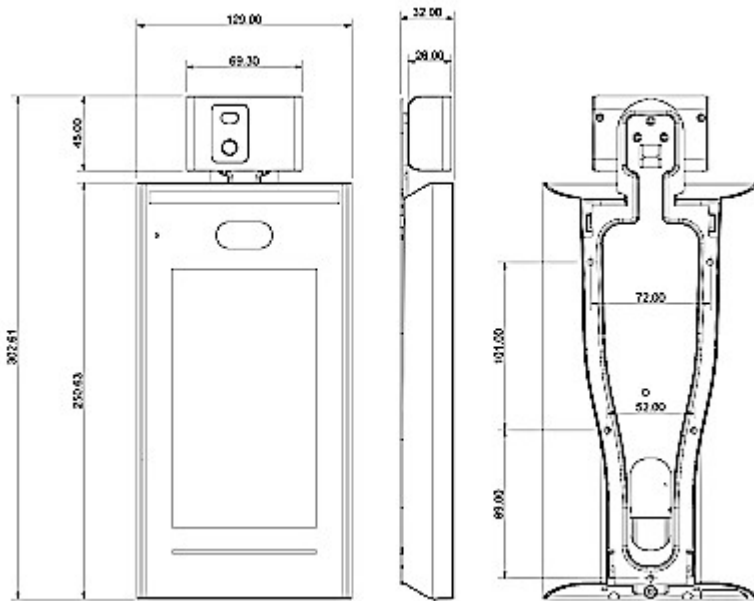
Internal memory:	Support storage of 300 000 records
Video output:	—
RS-485 interface:	✓
RS-232 interface:	✓
Wiegand interface:	✓
USB:	2 x USB 2.0
Memory card slot:	—
Alarm inputs / outputs:	2 / 2 - Relay outputs
Audio:	Speaker built-in
Network interface:	<ul style="list-style-type: none">• 1 x 10/100 Base-T (RJ-45)• 1 x 10/100/1000 Base-T (RJ-45)
Network protocols:	IPv4, RTSP, RTP, TCP, UDP, P2P
WEB Server:	Built-in
ONVIF:	✓
Default IP address:	192.168.1.108
Default admin user / password:	admin / - The administrator password should be set at the first start
Web browser access ports:	80, 37777
PC client access ports:	37777
Main features:	<ul style="list-style-type: none">• Temperature measurement• Built-in LCD display showing the image from the video camera and the result of temperature measurement - 7 " capacitive touch screen, 1024 x 600 px• Identification modes : PIN, Proximity identifier 13.56 MHz S50, Face recognition, Any combination of the above• Wiegand 34/26• WDR - 120 dB - Wide Dynamic Range• LED indication• Buzzer for acoustic signaling of some system events• AGC - Automatic Gain Control• Sharpness - sharper image outlines• Day/Night mode (color/b&w/auto)• RESET button• AI detection : A solution dedicated to measuring temperature. The camera is able to detect increased object temperature
Power supply:	12 V DC / 2 A (power adapter included)
Power consumption:	≤ 24 W
Housing:	Aluminum + Tempered glass
Color:	Black + Silver
"Index of Protection":	—
Operation temp:	<ul style="list-style-type: none">• -10 °C ... 55 °C - without temperature measurement• 15 °C ... 32 °C - with temperature measurement
Weight:	2 kg

Dimensions:	313 x 130 x 59 mm
Montage hole diameter:	37 mm
Supported languages:	English
Manufacturer / Brand:	DAHUA
Guarantee:	3 years

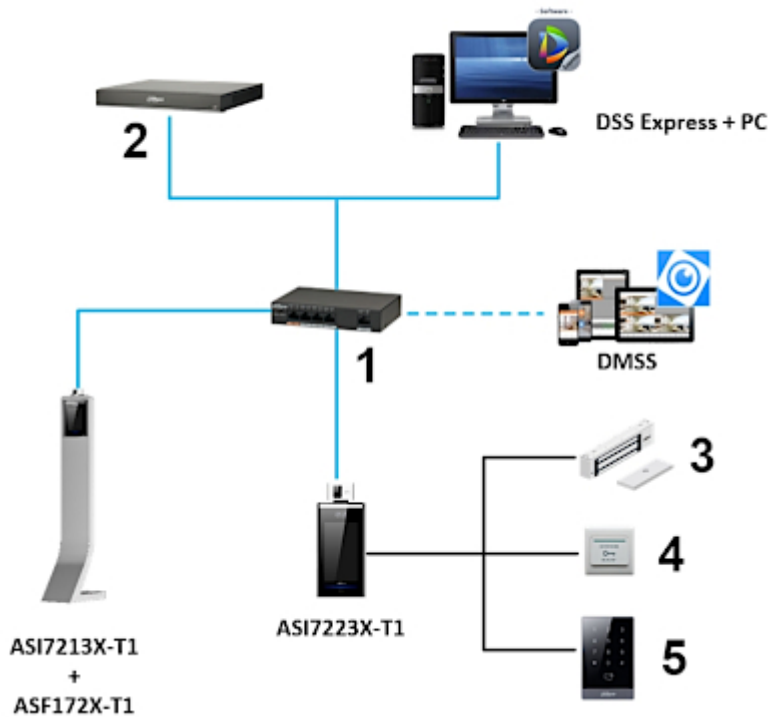
Front view:



Dimensions:



Example of application:



1. Switch
2. DVR
3. Electromagnetic Lock
4. Door/gate opening button
5. Reader with keypad

: Controller with the ASF172X-T1 bracket, available separately:



In the kit:



PACKAGE



User Manual

Code: ASI7213X-T1

ACCESS CONTROLLER WITH TEMPERATURE MEASUREMENT **ASI7213X-T1** - 1080p DAHUA

Dimensions (L x W x H): 0x0x0 mm	Gross Weight: 0 kg
----------------------------------	--------------------