



# User Manual

Code: IPC-HDW2449TM-S-IL-0280B  
IP CAMERA **IPC-HDW2449TM-S-IL-0280B** WizSense - 4 Mpx 2.8 mm DAHUA

## Warning!

Please read the user manual included in this work as it contains important information related with safety of installation and use of the device.

Only persons who read the user manual may use the device.

The user manual must be kept because it may be required in the future. The device is to be used exclusively for purposes specified in this user manual.

The device must be unpacked prior to starting-up. After removing the packaging make sure the device is in working order. If the product has defects, it should not be used until it is repaired.

The product is intended for use at home and commercial use and may not be used for other than intended use.

The manufacturer is not liable for damages resulting from not adhering to the rules contained in the user manual, therefore, we recommend to follow the aforementioned safety rules for operation and maintenance of the device. In this way you will ensure yourself safety and avoid causing damage to the device.

The manufacturer and the supplier are not liable for losses or damages arising out of the product, including financial or intangible losses, loss of profits, income, data, pleasure from use of the product or other products related with it - indirect, incidental or consequential loss or damage. The above provisions apply whether the loss or damage concerns:

1. Deterioration of quality or the lack of operation of the products or products related with it due to damage as well as the lack of access to the product when it is undergoing repair, which results in stoppage the loss of user's time or a break in business activity;
2. Improper results of operation of the product or products related with it;
3. It applies to losses and damages according to any legal category, including negligence and other losses, termination of a contract, expressed or implied guarantee and strict liability (even if the manufacturer or the supplier was notified about the possibility of occurrence of such damages).

### Safety measures:

Particular attention at designing was directed to quality standards of the device where ensuring safety of operation is the most important factor.

The device must be secured against contact with caustic, staining and viscous fluids.

The device was designed in such a way that it restarts operation when power supply is restored after a break.

**Attention! We recommend using protections to further protect the device from possible overvoltages in installations. Surge protectors are effective protection against accidental pass to the device voltages higher than the rated. Damages caused by pass the voltages higher than specified in manual, are not under warranty.**

Turn off the device before transporting it.

Prior to connecting the device to a power source check whether the supplied voltage is consistent with rated voltage specified in the user manual.

### Proper product disposal:

A marking of a crossed out waste bin indicates that the product may not be disposed together with other household waste in the entire EU. To avoid possible damage to the natural environment of health due to uncontrolled waste disposal, therefore, it should be handed over for recycling, propagating in this way sustainable use of natural resources.

To return a worn-out product, use a collection and disposal system of this type of equipment or contact a seller from whom it was purchased. He will then be recycled in an environmentally-friendly way.

IP camera with efficient H.264 / H.265 image compression algorithm for clear and smooth video streaming at maximal resolution of 4 MPx.

The device is equipped with Smart Dual Illumination technology, thanks to which the user has a choice of white light mode and IR (infrared) mode. When Smart Dual Illumination is active, the white light will turn on automatically only when an object is detected in the monitored area, which effectively improves the image quality.

PoE powering possibility, compatible with the 802.3af standard makes the device more universal and easier to install.



Standard:	TCP/IP
Sensor:	1/2.9 " Progressive Scan CMOS
Matrix size:	4 Mpx
Resolution:	2688 x 1520 - 4 Mpx , 2560 x 1440 - 3.7 Mpx , 2304 x 1296 - 3 Mpx , 1920 x 1080 - 1080p , 1280 x 960 - 1.3 Mpx , 1280 x 720 - 720p
Lens:	2.8 mm
View angle:	95 °
White light LED illuminator range:	30 m
Range of IR illumination:	30 m
Image compression method:	H.265+ / H.265 / H.264+ / H.264 / MJPEG
Main stream frame rate:	20 fps @ 4 Mpx 25 fps @ 3,7 Mpx
Memory card slot:	Micro SD memory cards up to 256GB support (possible local recording)
RS-485 interface:	—
Alarm inputs / outputs:	—



# User Manual

Code: IPC-HDW2449TM-S-IL-0280B

IP CAMERA **IPC-HDW2449TM-S-IL-0280B** WizSense - 4 Mpx 2.8 mm DAHUA

Audio:	<ul style="list-style-type: none"><li>• Microphone built-in</li><li>• Audio transmission via network</li><li>• Compliance with the AAC standard</li></ul>
Network interface:	10/100 Base-T (RJ-45)
Network protocols:	IPv4/IPv6, HTTP, TCP, UDP, ARP, RTP, RTSP, RTCP, RTMP, SMTP, FTP, SFTP, DHCP, DNS, DDNS, NTP, Multicast, ICMP, IGMP
WEB Server:	Built-in
Max. number of on-line users:	6
ONVIF:	21.12
Mobile phones support:	Port no.: 37777 or access by a cloud (P2P) <ul style="list-style-type: none"><li>• Android: Free application <a href="#">DMSS</a></li><li>• iOS (iPhone): Free application <a href="#">DMSS</a></li></ul>
Default IP address:	192.168.1.108
Default admin user / password:	admin / - The administrator password should be set at the first start
Web browser access ports:	80, 37777
PC client access ports:	37777
Mobile client access ports:	37777
Port ONVIF:	80
RTSP URL:	rtsp://admin:haslo@192.168.1.108:554/cam/realmonitor?channel=1&subtype=0 - Main stream rtsp://admin:haslo@192.168.1.108:554/cam/realmonitor?channel=1&subtype=1 - Sub stream
Main features:	<ul style="list-style-type: none"><li>• WDR - 120 dB - Wide Dynamic Range</li><li>• 3D-DNR - Digital Noise Reduction</li><li>• ROI - improve the quality of selected parts of image</li><li>• BLC/HLC - Back Light / High Light Compensation</li><li>• Day/Night mode (color/b&amp;w/auto)</li><li>• ICR - Movable InfraRed filter</li><li>• Auto White Balance</li><li>• AGC - Automatic Gain Control</li><li>• Possibility to change the resolution, quality and bit rate</li><li>• Configurable Privacy Zones</li><li>• video sabotage</li><li>• Mirror - Mirror image</li><li>• Full Color - colorful night mode</li><li>• Smart motion detection (with recognizing people and vehicles)</li><li>• SMD PLUS - searching for an object classified as: human, motor vehicle</li><li>• IVS analysis : intrusion, crossing the line (tripwire) - classification of people and vehicles</li></ul>
Housing:	Dome - Metal + Plastic
Color:	White
"Index of Protection":	IP67
Vandal-proof:	—
Power supply:	<ul style="list-style-type: none"><li>• PoE (802.3af),</li><li>• 12 V DC / 370 mA</li></ul>

Power consumption:	<ul style="list-style-type: none"> <li>• ≤ 5.2 W @ PoE</li> <li>• ≤ 4.4 W @ 12 V DC</li> </ul>
Operation temp:	-40 °C ... 60 °C
Weight:	0.46 kg
Dimensions:	Ø 122 x 100 mm
Supported languages:	Polish, English, Czech, French, Spanish, Dutch, German, Russian, Portuguese, Romanian, Turkish, Ukrainian, Hungarian, Italian
Manufacturer / Brand:	DAHUA
Guarantee:	<b>3 years</b>

Camera is out from clamping ring:



Memory card slot and "Reset" button:



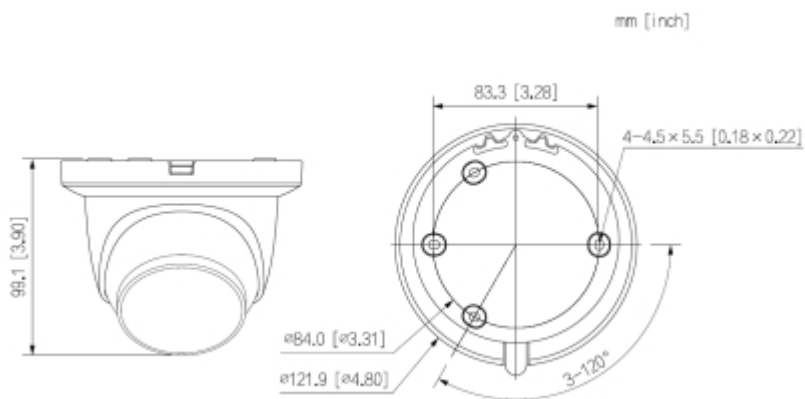
Camera mounting side view:



See how to initialize DAHUA cameras:

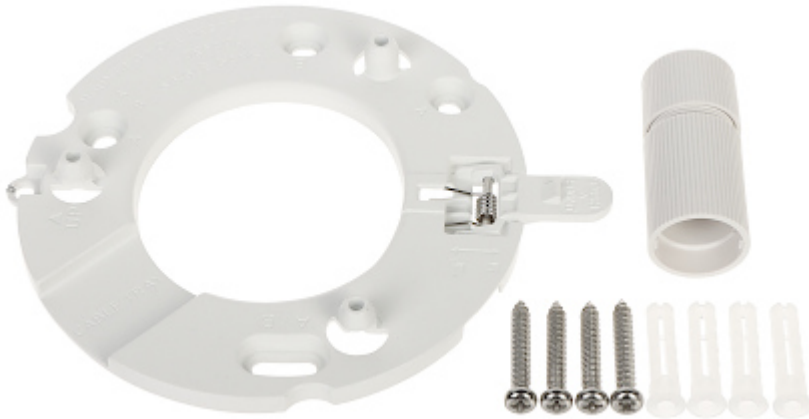
:

Dimensions:

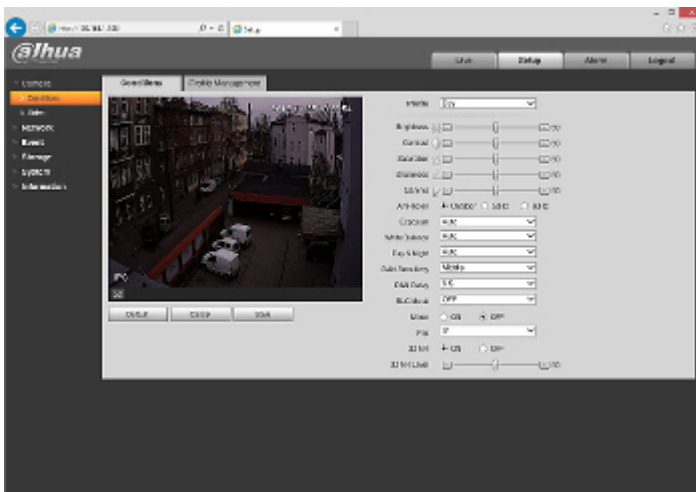


In the kit:





Example captures of device interface:



## PACKAGE

Dimensions (L x W x H): 0x0x0 mm	Gross Weight: 0 kg
----------------------------------	--------------------



# User Manual

Code: IPC-HDW2449TM-S-IL-0280B

IP CAMERA **IPC-HDW2449TM-S-IL-0280B** WizSense - 4 Mpx 2.8 mm DAHUA

---