



User Manual

Code: DS-2XS2T41G1-ID/4G/C05S07(4MM)
SOLAR IP CAMERA, OUTDOOR **DS-2XS2T41G1-ID/4G/C05S07(4MM)** 4G/LTE - 3.7 Mpx 4 mm
Hikvision

Warning!

Please read the user manual included in this work as it contains important information related with safety of installation and use of the device.

Only persons who read the user manual may use the device.

The user manual must be kept because it may be required in the future. The device is to be used exclusively for purposes specified in this user manual.

The device must be unpacked prior to starting-up. After removing the packaging make sure the device is in working order. If the product has defects, it should not be used until it is repaired.

The product is intended for use at home and commercial use and may not be used for other than intended use.

The manufacturer is not liable for damages resulting from not adhering to the rules contained in the user manual, therefore, we recommend to follow the aforementioned safety rules for operation and maintenance of the device. In this way you will ensure yourself safety and avoid causing damage to the device.

The manufacturer and the supplier are not liable for losses or damages arising out of the product, including financial or intangible losses, loss of profits, income, data, pleasure from use of the product or other products related with it - indirect, incidental or consequential loss or damage. The above provisions apply whether the loss or damage concerns:

1. Deterioration of quality or the lack of operation of the products or products related with it due to damage as well as the lack of access to the product when it is undergoing repair, which results in stoppage the loss of user's time or a break in business activity;
2. Improper results of operation of the product or products related with it;
3. It applies to losses and damages according to any legal category, including negligence and other losses, termination of a contract, expressed or implied guarantee and strict liability (even if the manufacturer or the supplier was notified about the possibility of occurrence of such damages).

Safety measures:

Particular attention at designing was directed to quality standards of the device where ensuring safety of operation is the most important factor.

The device must be secured against contact with caustic, staining and viscous fluids.

The device was designed in such a way that it restarts operation when power supply is restored after a break.

Attention! We recommend using protections to further protect the device from possible overvoltages in installations. Surge protectors are effective protection against accidental pass to the device voltages higher than the rated. Damages caused by pass the voltages higher than specified in manual, are not under warranty.

Turn off the device before transporting it.

Prior to connecting the device to a power source check whether the supplied voltage is consistent with rated voltage specified in the user manual.

Proper product disposal:

A marking of a crossed out waste bin indicates that the product may not be disposed together with other household waste in the entire EU. To avoid possible damage to the natural environment of health due to uncontrolled waste disposal, therefore, it should be handed over for recycling, propagating in this way sustainable use of natural resources.

To return a worn-out product, use a collection and disposal system of this type of equipment or contact a seller from whom it was purchased. He will then be recycled in an environmentally-friendly way.

Outdoor 4G/LTE wireless IP camera DS-2XS2T41G1-ID/4G/C05S07(4MM) is the perfect solution for monitoring the front garden, entrances as well as construction sites, plots, etc. The camera works with the 4G/LTE network and the connection is made on a plug and play basis - just install a microSIM card and the device will establish an Internet connection by itself - this solution allows the camera to be used wherever there is an operator network coverage.

The included solar panel with a built-in battery allows the camera to work in places where there is a problem with the power supply. The built-in PIR detector allows the camera to automatically switch from the standby mode to the active state. The camera is equipped with an internal memory allowing to save up to 5 GB of data.

Camera is according to IP67 Index of Protection norm.



Standard:	TCP/IP
Sensor:	1/3 " Progressive Scan CMOS
Matrix size:	4 Mpx
Resolution:	2560 x 1440 - 3.7 Mpx , 1920 x 1080 - 1080p , 1280 x 720 - 720p
Lens:	4 mm
View angle:	<ul style="list-style-type: none"> • 79 ° (manufacturer data) • 76 ° (our tests result)
Range of IR illumination:	30 m
Possibilities of adjustment:	Solar Panel : -30 ° ... 30 ° (horizontal) ; -45 ... 45 (vertical)
Audio:	<ul style="list-style-type: none"> • Microphone built-in, • Speaker built-in, • Audio transmission via network, • Bi-directional audio streaming support, • Noise reduction, • Alarm signaling, • Compliance with the AAC standard
Image compression method:	H.265+ / H.265 / H.264+ / H.264 / MJPEG
Main stream frame rate:	12.5 fps @ 3.7 Mpx
Network interface:	<ul style="list-style-type: none"> • RJ-45 - 10/100 Mb/s, Ethernet • 4G LTE - The microSIM cards support, Uplink / Downlink : 50 / 150 Mbps
ONVIF:	✓



User Manual

Code: DS-2XS2T41G1-ID/4G/C05S07(4MM)
SOLAR IP CAMERA, OUTDOOR **DS-2XS2T41G1-ID/4G/C05S07(4MM)** 4G/LTE - 3.7 Mpx 4 mm
Hikvision

WEB Server:	Built-in
Max. number of on-line users:	6
Default admin user / password:	admin / -
Mobile phones support:	Port no.: 8000 or access by a cloud (P2P) <ul style="list-style-type: none">• Android: Hik-Connect free application• iOS: Hik-Connect free application
Default IP address:	192.168.1.64
Web browser access ports:	80
PC client access ports:	Port no.: 8000 or access by a cloud (P2P) - iVMS-4200 application
Mobile client access ports:	8000
Port ONVIF:	80
RTSP URL:	<ul style="list-style-type: none">• Main stream : rtsp://user:password@192.168.1.64:554/Streaming/Channels/101/ - with authorization• Sub stream : rtsp://user:password@192.168.1.64:554/Streaming/Channels/102/ - with authorization
Memory card slot:	Micro SD memory cards up to 256GB support (possible local recording)
Main features:	<ul style="list-style-type: none">• D-WDR - Wide Dynamic Range• 3D-DNR - Digital Noise Reduction• ROI - improve the quality of selected parts of image• BLC/HLC - Back Light / High Light Compensation• Day/night mode• Configurable: brightness, contrast, saturation• Sharpness - sharper image outlines• AGC - Automatic Gain Control• Auto White Balance• ANR - Automatic Network Replenishment allows to save image to the card when the network connection with DVR is break (network failure) and next synchronize its• NAS - Network Attached Storage support - allows to connect memory resources directly to the computer network• Motion Detection• Alarm signaling - Audio, E-mail• Alarm notifications• Events saving to the micro SD card• Built-in PIR detector :<ul style="list-style-type: none">- Detection angle : 80 ° (horizontal), 42 ° (vertical)- Detection range : 12 m• Internal memory : 8 GB (5 GB for recording),• 4G LTE/WCDMA/GSM support - The microSIM cards support• RESET button,• Solar Panel : 6.5 W - built-in battery 51.5 Wh
Estimated battery operation time:	<ul style="list-style-type: none">• ~ 2 days• 11 days (Standby mode)
Power supply:	<ul style="list-style-type: none">• Li-Ion battery 8.1 ... 12.6 V,• Solar Panel : 6.5 W,• 12 V DC - 5.5/2.1 socket (power adapter not included), For the purpose of service
Power consumption:	<ul style="list-style-type: none">• max. 7 W• ≤ 1.85 W (typical) - 4G LTE support• 80 mW (Standby mode)
Housing:	Compact, ADC
"Index of Protection":	IP67



User Manual

Code: DS-2XS2T41G1-ID/4G/C05S07(4MM)
SOLAR IP CAMERA, OUTDOOR **DS-2XS2T41G1-ID/4G/C05S07(4MM)** 4G/LTE - 3.7 Mpx 4 mm
Hikvision

Color:	White
Operation temp:	0 °C ... 50 °C
Weight:	1.45 kg (total)
Dimensions:	294 x 189 x 214 mm (total)
Supported languages:	Polish, English, Croatian, Czech, Romanian, Serbian, Slovenian, Turkish
Manufacturer / Brand:	Hikvision
SAP Code:	311319441
Guarantee:	3 years

Side view



Rear view



Power connector



Bottom view



Device sockets

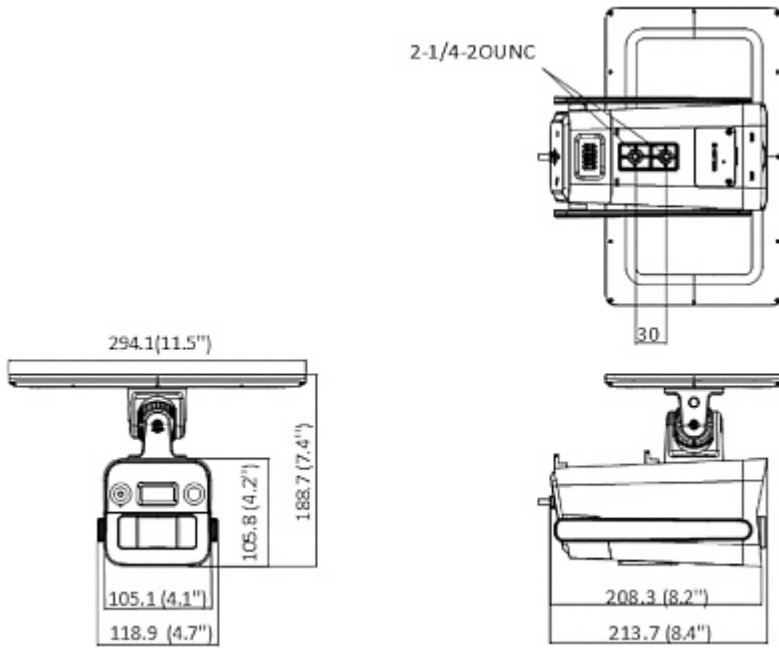


Dimensions

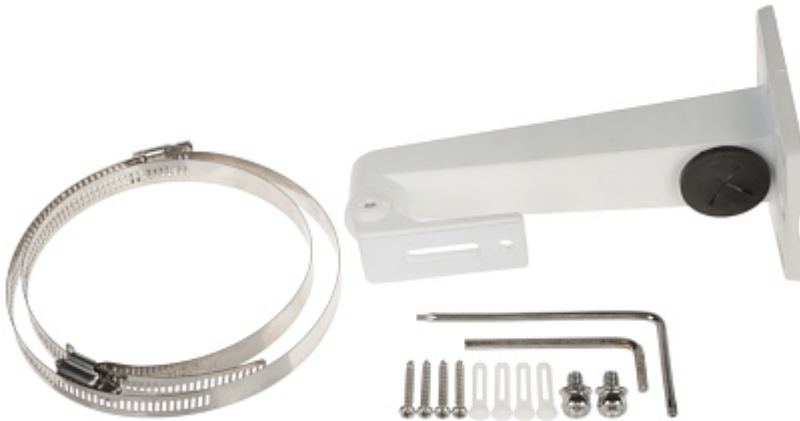


User Manual

Code: DS-2XS2T41G1-ID/4G/C05S07(4MM)
SOLAR IP CAMERA, OUTDOOR **DS-2XS2T41G1-ID/4G/C05S07(4MM)** 4G/LTE - 3.7 Mpx 4 mm
Hikvision



In the kit



PACKAGE

Dimensions (L x W x H): 0x0x0 mm	Gross Weight: 0 kg
----------------------------------	--------------------



DELTA-OPTI Monika Matysiak; <https://www.delta.poznan.pl>
POL; 60-713 Poznań; Graniczna 10
e-mail: delta-opti@delta.poznan.pl; tel: +(48) 61 864 69 60