



User Manual

Code: SDT4E425-4F-GB-A-PV1-0400

IP SPEED DOME CAMERA **SDT4E425-4F-GB-A-PV1-0400** PANORAMIC TiOC WizSense Smart Dual
Light - 3.7 Mpx 5 ... 125 mm, 2.8 mm DAHUA

Warning!

Please read the user manual included in this work as it contains important information related with safety of installation and use of the device.

Only persons who read the user manual may use the device.

The user manual must be kept because it may be required in the future. The device is to be used exclusively for purposes specified in this user manual.

The device must be unpacked prior to starting-up. After removing the packaging make sure the device is in working order. If the product has defects, it should not be used until it is repaired.

The product is intended for use at home and commercial use and may not be used for other than intended use.

The manufacturer is not liable for damages resulting from not adhering to the rules contained in the user manual, therefore, we recommend to follow the aforementioned safety rules for operation and maintenance of the device. In this way you will ensure yourself safety and avoid causing damage to the device.

The manufacturer and the supplier are not liable for losses or damages arising out of the product, including financial or intangible losses, loss of profits, income, data, pleasure from use of the product or other products related with it - indirect, incidental or consequential loss or damage. The above provisions apply whether the loss or damage concerns:

1. Deterioration of quality or the lack of operation of the products or products related with it due to damage as well as the lack of access to the product when it is undergoing repair, which results in stoppage the loss of user's time or a break in business activity;
2. Improper results of operation of the product or products related with it;
3. It applies to losses and damages according to any legal category, including negligence and other losses, termination of a contract, expressed or implied guarantee and strict liability (even if the manufacturer or the supplier was notified about the possibility of occurrence of such damages).

Safety measures:

Particular attention at designing was directed to quality standards of the device where ensuring safety of operation is the most important factor.

The device must be secured against contact with caustic, staining and viscous fluids.

The device was designed in such a way that it restarts operation when power supply is restored after a break.

Attention! We recommend using protections to further protect the device from possible overvoltages in installations. Surge protectors are effective protection against accidental pass to the device voltages higher than the rated. Damages caused by pass the voltages higher than specified in manual, are not under warranty.

Turn off the device before transporting it.

Prior to connecting the device to a power source check whether the supplied voltage is consistent with rated voltage specified in the user manual.

Proper product disposal:

A marking of a crossed out waste bin indicates that the product may not be disposed together with other household waste in the entire EU. To avoid possible damage to the natural environment of health due to uncontrolled waste disposal, therefore, it should be handed over for recycling, propagating in this way sustainable use of natural resources.

To return a worn-out product, use a collection and disposal system of this type of equipment or contact a seller from whom it was purchased. He will then be recycled in an environmentally-friendly way.

The Speed Dome IP camera, in addition to the traditional PTZ camera module, also has a panoramic camera module mounted in the same housing. The series of these cameras can be used to monitor large spaces in high definition, such as rivers, roads, railways, airports, squares, parks, meeting places, etc. Thanks to the "Starlight" technology used, the camera only needs very low lighting to obtain a clear color image.

The **DAHUA TiOC** series of cameras are modern IP cameras combining 3 innovative technologies: **Dahua Full-Color** - 24/7 color image, **Wiz-Sense** - AI artificial intelligence functions and audio-visual **active deterrence** (flashing red and blue lights and a siren sound).

The panoramic camera connects to the PTZ camera to track targets. Once a target enters the panoramic area, the PTZ camera begins monitoring the target and tracks its movement by panning, zooming and focusing the lens, allowing the camera to generate highly detailed images of the targets' movements for security personnel. The range of IR illumination according to the manufacturer data, depends on outer conditions (visibility - air transparency, environment, wall colors ie. scene reflectance).

PoE powering possibility, compatible with the 802.3at standard makes the device more universal and easier to install.



Standard:	IP
Resolution:	Camera PTZ, Panoramic camera : <ul style="list-style-type: none"> • 2560 x 1440 - 3.7 Mpx, • 2048 x 1536 - 3 Mpx, • 2304 x 1296 - 3 Mpx, • 1920 x 1080 - 1080p, • 1280 x 960 - 1.3 Mpx, • 1280 x 720 - 720p
Sensor:	<ul style="list-style-type: none"> • Camera PTZ : 1/2.8 " STARVIS™ CMOS, • Panoramic camera : 1/2.8 " Progressive Scan CMOS
Lens:	<ul style="list-style-type: none"> • Camera PTZ : 5 ... 125 mm • Panoramic camera, : 2.8 mm
View angle:	<ul style="list-style-type: none"> • Camera PTZ : 52 ° ... 3 °, • Panoramic camera : 101 °
Optical zoom:	x 25
Digital zoom:	x 16
Range of IR illumination:	<ul style="list-style-type: none"> • 100 m @ Camera PTZ • 30 m @ Panoramic camera
White light LED illuminator range:	<ul style="list-style-type: none"> • 50 @ Camera PTZ • 30 @ Panoramic camera
Preset rotation speed:	<ul style="list-style-type: none"> • 240 °/s (horizontal) • 200 °/s (vertical)



User Manual

Code: SDT4E425-4F-GB-A-PV1-0400

IP SPEED DOME CAMERA **SDT4E425-4F-GB-A-PV1-0400** PANORAMIC TiOC WizSense Smart Dual

Light - 3.7 Mpx 5 ... 125 mm, 2.8 mm DAHUA

Rotation speed (manual control):	<ul style="list-style-type: none">• 0.1 %/s ... 200 %/s (horizontal)• 0.1 %/s ... 120 %/s (vertical)
Horizontal rotation range:	360 ° - continuous
Vertical rotation range:	-15 ° ... 90 °
RS-485 interface:	—
Number of presets:	300
Horizontal scan:	✓
Route settings:	8
Image compression method:	H.265+ / H.265 / H.264+ / H.264 / MJPEG
Alarm inputs / outputs:	2 / 1
Audio:	<ul style="list-style-type: none">• External microphone input• Audio output• Audio detection• Speaker built-in - Alarm siren• Bi-directional audio streaming support• Digital Noise Reduction
Main stream frame rate:	<ul style="list-style-type: none">• Camera PTZ : 25 fps @ 4 Mpx• Panoramic camera : 25 fps @ 4 Mpx
Network interface:	10/100 Base-T (RJ-45)
Memory card slot:	Micro SD card support up to 512GB
WEB Server:	Built-in
Max. number of on-line users:	20
ONVIF:	✓
Default IP address:	192.168.1.108
Default admin user / password:	admin / - The administrator password should be set at the first start
Web browser access ports:	80, 37777
PC client access ports:	37777
Mobile client access ports:	37777
Port ONVIF:	80
RTSP URL:	rtsp://admin:haslo@192.168.1.108:554/cam/realmonitor?channel=1&subtype=0 - Main stream rtsp://admin:haslo@192.168.1.108:554/cam/realmonitor?channel=1&subtype=1 - Sub stream
Intelligent Image Analysis:	<ul style="list-style-type: none">• Intelligent Object Tracking• crossing the line (tripwire)• detection of entry into the area / exit from the area• intrusion• fast moving• classification of people and vehicles• crowd gathering estimation



User Manual

Code: SDT4E425-4F-GB-A-PV1-0400

IP SPEED DOME CAMERA **SDT4E425-4F-GB-A-PV1-0400** PANORAMIC TiOC WizSense Smart Dual
Light - 3.7 Mpx 5 ... 125 mm, 2.8 mm DAHUA

Main features:	<ul style="list-style-type: none">• Smart Dual Illumination technology - IR or LED illuminator works in night mode. White light will turn on automatically only when an object is detected in the monitored area, which effectively improves image quality• Active deterrence function - Light and sound alarm - Active intrusion deterrence works by blinking blue and red light and siren sound or voice prompts• WDR - 120 dB - Wide Dynamic Range• 2D-DNR, 3D-DNR - Digital Noise Reduction• F-DNR (Defog) - Reduction of image noise caused by precipitation• EIS - Electronic Image Stabilization• ROI - improve the quality of selected parts of image• Quick Pick - AI technology enabling, together with the recorder, quick identification of interesting objects (people/vehicles) based on an artificial intelligence algorithm. It allows to extract and compare the colors of clothes and vehicles• SMD 4.0 - searching for an object classified as: human, motor vehicle - increased detection distance and resistance to false alarms• Image rotation and mirror• BLC/HLC - Back Light / High Light Compensation• ICR - Movable InfraRed filter• Day/night mode• Auto White Balance• Sharpness - sharper image outlines• Configurable: brightness, contrast, saturation• NAS - Network Attached Storage support• Configurable Privacy Zones• Motion Detection• Filtering of false alarms based on the recognition of persons and vehicles
Housing:	Speed Dome, Plastic
Color:	White + Black
"Index of Protection":	IP66
IK rating:	—
Power supply:	<ul style="list-style-type: none">• PoE (802.3at),• 12 V DC / 3 A
Power consumption:	<ul style="list-style-type: none">• ≤ 12 W (typical),• 25 W (max)
Operation temp:	-40 °C ... 65 °C
Weight:	3.4 kg
Dimensions:	152 x 185 x 305 mm (without bracket)
Supported languages:	Polish, English
Manufacturer / Brand:	DAHUA
Guarantee:	3 years

Front view



Bottom view



Rear view



Memory card slot and "Reset" button



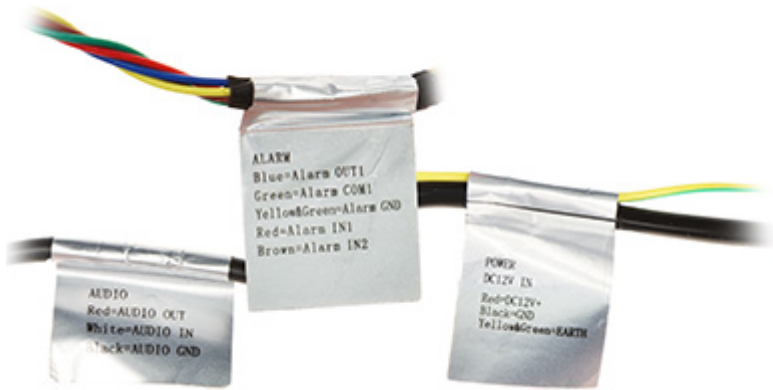
Internal view of the housing



Camera connectors



Connectors description



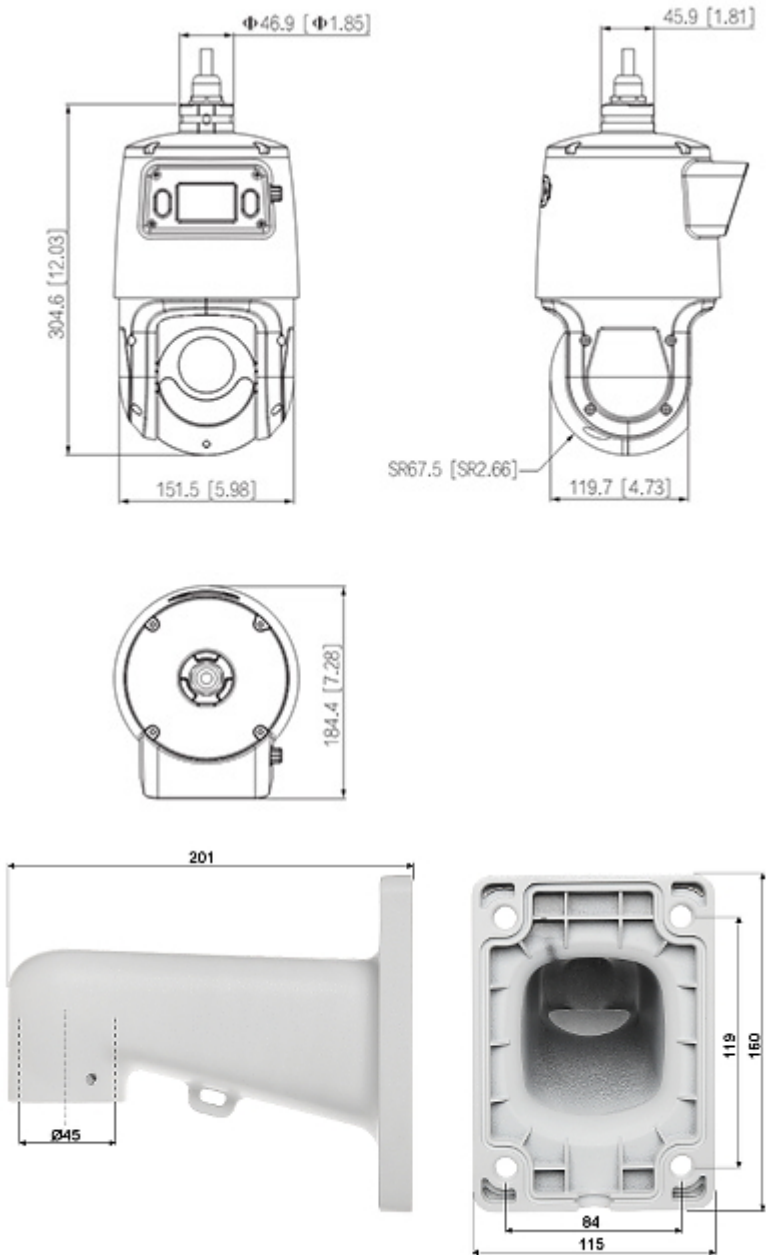
Camera and bracket dimensions



User Manual

Code: SDT4E425-4F-GB-A-PV1-0400

IP SPEED DOME CAMERA **SDT4E425-4F-GB-A-PV1-0400** PANORAMIC TiOC WizSense Smart Dual
Light - 3.7 Mpx 5 ... 125 mm, 2.8 mm DAHUA



In the kit



User Manual

Code: SDT4E425-4F-GB-A-PV1-0400

IP SPEED DOME CAMERA **SDT4E425-4F-GB-A-PV1-0400** PANORAMIC TiOC WizSense Smart Dual
Light - 3.7 Mpx 5 ... 125 mm, 2.8 mm DAHUA



PACKAGE

Dimensions (L x W x H): 0x0x0 mm	Gross Weight: 0 kg
----------------------------------	--------------------