



User Manual

Code: DS-2SE3C404MWG-E/14(2.8MM)

IP SPEED DOME CAMERA **DS-2SE3C404MWG-E/14(2.8MM)** TandemVu - 3.7 Mpx 2.8 ... 12 mm
Hikvision

Warning!

Please read the user manual included in this work as it contains important information related with safety of installation and use of the device.

Only persons who read the user manual may use the device.

The user manual must be kept because it may be required in the future. The device is to be used exclusively for purposes specified in this user manual.

The device must be unpacked prior to starting-up. After removing the packaging make sure the device is in working order. If the product has defects, it should not be used until it is repaired.

The product is intended for use at home and commercial use and may not be used for other than intended use.

The manufacturer is not liable for damages resulting from not adhering to the rules contained in the user manual, therefore, we recommend to follow the aforementioned safety rules for operation and maintenance of the device. In this way you will ensure yourself safety and avoid causing damage to the device.

The manufacturer and the supplier are not liable for losses or damages arising out of the product, including financial or intangible losses, loss of profits, income, data, pleasure from use of the product or other products related with it - indirect, incidental or consequential loss or damage. The above provisions apply whether the loss or damage concerns:

1. Deterioration of quality or the lack of operation of the products or products related with it due to damage as well as the lack of access to the product when it is undergoing repair, which results in stoppage the loss of user's time or a break in business activity;
2. Improper results of operation of the product or products related with it;
3. It applies to losses and damages according to any legal category, including negligence and other losses, termination of a contract, expressed or implied guarantee and strict liability (even if the manufacturer or the supplier was notified about the possibility of occurrence of such damages).

Safety measures:

Particular attention at designing was directed to quality standards of the device where ensuring safety of operation is the most important factor.

The device must be secured against contact with caustic, staining and viscous fluids.

The device was designed in such a way that it restarts operation when power supply is restored after a break.

Attention! We recommend using protections to further protect the device from possible overvoltages in installations. Surge protectors are effective protection against accidental pass to the device voltages higher than the rated. Damages caused by pass the voltages higher than specified in manual, are not under warranty.

Turn off the device before transporting it.

Prior to connecting the device to a power source check whether the supplied voltage is consistent with rated voltage specified in the user manual.

Proper product disposal:

A marking of a crossed out waste bin indicates that the product may not be disposed together with other household waste in the entire EU. To avoid possible damage to the natural environment of health due to uncontrolled waste disposal, therefore, it should be handed over for recycling, propagating in this way sustainable use of natural resources.

To return a worn-out product, use a collection and disposal system of this type of equipment or contact a seller from whom it was purchased. He will then be recycled in an environmentally-friendly way.

The Speed Dome IP camera, in addition to the traditional PTZ camera module, also has a panoramic camera module mounted in the same housing. The series of these cameras can be used to monitor large spaces in high definition, such as rivers, roads, railways, airports, squares, parks, meeting places, etc.

The panoramic camera connects to the PTZ camera to track targets. Once a target enters the panoramic area, the PTZ camera begins monitoring the target and tracks its movement by panning, zooming and focusing the lens, allowing the camera to generate highly detailed images of the targets' movements for security personnel. The range of IR illumination according to the manufacturer data, depends on outer conditions (visibility - air transparency, environment, wall colors ie. scene reflectance).

PoE powering possibility, compatible with the 802.3at standard makes the device more universal and easier to install. Powered by Darkfighter - the camera has very good sensitivity, dedicated to poor lighting conditions.



Standard:	IP
Resolution:	<ul style="list-style-type: none"> Camera PTZ, Camera 2 : <ul style="list-style-type: none"> • 2560 x 1440 - 3.7 Mpx, • 1920 x 1080 - 1080p, • 1280 x 720 - 720p
Sensor:	<ul style="list-style-type: none"> • Camera PTZ : 1/2.8 " Progressive Scan CMOS, • Camera 2 : 1/2.8 " Progressive Scan CMOS
Lens:	<ul style="list-style-type: none"> • Camera PTZ : 2.8 ... 12 mm • Camera 2 : 2.8 mm
View angle:	<ul style="list-style-type: none"> • Camera PTZ : 98 ° ... 34 °, • Camera 2 : 115 °
Optical zoom:	x 4
Digital zoom:	x 16
White light LED illuminator range:	30 m @ Camera 2
Range of IR illumination:	<ul style="list-style-type: none"> • 40 m @ Camera PTZ, • 30 m @ Camera 2
Memory card slot:	Micro SD card support up to 512GB
Preset rotation speed:	<ul style="list-style-type: none"> • 30 °/s (horizontal) • 30 °/s (vertical)





User Manual

Code: DS-2SE3C404MWG-E/14(2.8MM)
IP SPEED DOME CAMERA **DS-2SE3C404MWG-E/14(2.8MM)** TandemVu - 3.7 Mpx 2.8 ... 12 mm
Hikvision

Rotation speed (manual control):	<ul style="list-style-type: none">• 0.1 °/s ... 30 °/s (horizontal),• 0.1 °/s ... 30 °/s (vertical)
Horizontal rotation range:	0 ° ... 350 °
Vertical rotation range:	<ul style="list-style-type: none">• Camera PTZ : -5 ° ... 90 °• Camera 2 : 7 ° ... 17 ° (manual adjustment)
RS-485 interface:	—
Number of presets:	300
Horizontal scan:	✓
Route settings:	8
Image compression method:	H.265 / H.264 / MJPEG
Alarm inputs / outputs:	—
Audio:	<ul style="list-style-type: none">• Microphone built-in,• Speaker built-in,• Audio detection,• Digital Noise Reduction,• Compliance with the AAC standard
Main stream frame rate:	<ul style="list-style-type: none">• Camera PTZ : 25 fps @ 3.7 Mpx• Camera 2 : 25 fps @ 3.7 Mpx
Interface:	10/100 Base-T (RJ-45)
WEB Server:	Built-in
Max. number of on-line users:	20
ONVIF:	✓
Intelligent Image Analysis:	<ul style="list-style-type: none">• crossing the line (tripwire)• intrusion• detection of entry into the area / exit from the area• Vehicle / human detection
Main features:	<ul style="list-style-type: none">• The "Darkfighter" series cameras provide a clear color image even at very poor lighting• WDR - 120 dB - Wide Dynamic Range• 3D-DNR - Digital Noise Reduction• F-DNR (Defog) - Reduction of image noise caused by precipitation• ROI - improve the quality of selected parts of image• BLC/HLC - Back Light / High Light Compensation• Day/night mode• ICR - Movable InfraRed filter• Configurable: brightness, contrast, saturation• Sharpness - sharper image outlines• Mirror - Mirror image• Parking action - this function enables to locate the camera to specific position automatically if operator doesn't operate the controller for some time• Intelligent 3D Positioning System• ANR - Automatic Network Replenishment allows to save image to the card when the network connection with DVR is break (network failure) and next synchronize its• NAS - Network Attached Storage support• SVC (Scalable Video Coding) - technology enabling the transfer of several sub-streams of different quality within one stream• Smart motion detection (with recognizing people and vehicles)• Privacy zones• Overvoltage protection• RESET button



User Manual

Code: DS-2SE3C404MWG-E/14(2.8MM)

IP SPEED DOME CAMERA **DS-2SE3C404MWG-E/14(2.8MM)** TandemVu - 3.7 Mpx 2.8 ... 12 mm
Hikvision

Mobile phones support:	Port no.: 8000 or access by a cloud (P2P) <ul style="list-style-type: none">• Android: Hik-Connect free application• iOS: Hik-Connect free application
Default IP address:	192.168.1.64
Default admin user / password:	admin / - The administrator password should be set at the first start
Web browser access ports:	80
PC client access ports:	Port no.: 8000 or access by a cloud (P2P) - iVMS-4200 application
Mobile client access ports:	8000
Port ONVIF:	80
RTSP URL:	<ul style="list-style-type: none">• Camera PTZ - Main stream : rtsp://user:password@192.168.1.64:554/Streaming/Channels/101/• Camera 2 - Main stream : rtsp://user:password@192.168.1.64:554/Streaming/Channels/201/
Power supply:	<ul style="list-style-type: none">• PoE (802.3at),• 12 V DC / 2 A (power adapter included)
Power consumption:	≤ 24 W
Housing:	Speed Dome, Plastic (PC)
Color:	White + Black
"Index of Protection":	IP66
Mechanical protection class:	—
Operation temp:	-30 °C ... 50 °C
Weight:	1.4 kg (with bracket)
Dimensions:	312 x 224 x 156 mm (with bracket)
Supported languages:	Polish, English, Bulgarian, Croatian, Czech, Danish, Estonian, Finnish, French, Greek, Spanish, Dutch, Lithuanian, Latvian, German, Norwegian, Portuguese, Russian, Romanian, Serbian, Slovak, Slovenian, Swedish, Turkish, Ukrainian, Hungarian, Vietnamese, Italian
Manufacturer / Brand:	Hikvision
SAP Code:	327001436
Guarantee:	3 years

Bottom view



Side view



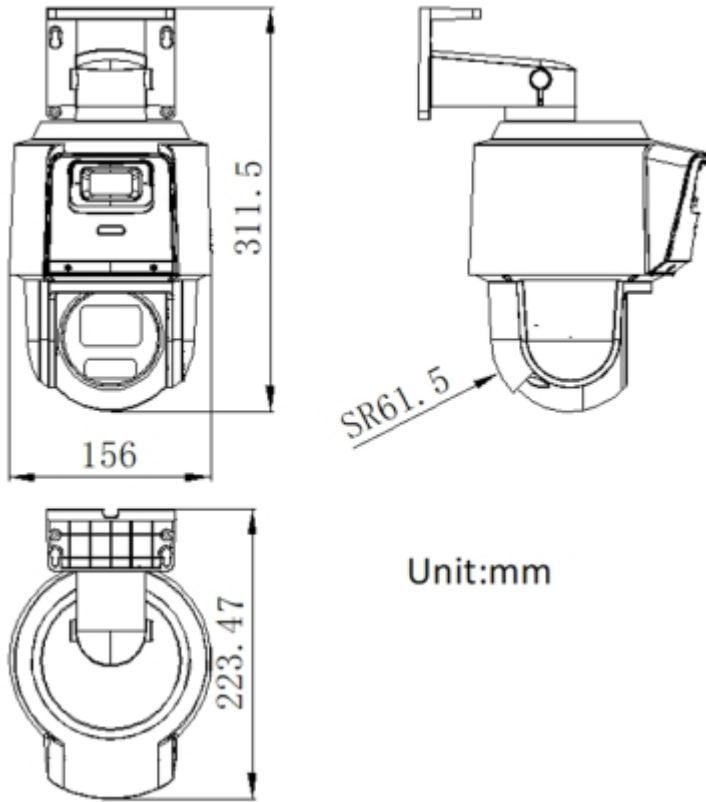
Memory card slot and "Reset" button



Top view



Camera and bracket dimensions



In the kit



PACKAGE

Dimensions (L x W x H): 0x0x0 mm	Gross Weight: 0 kg
----------------------------------	--------------------