



# User Manual

Code: IPC-HDW3849H-AS-PV-0280B-S5-BLACK  
IP CAMERA **IPC-HDW3849H-AS-PV-0280B-S5-BLACK** TiOC Full-Color - 8.3 Mpx 4K UHD 2.8 mm  
DAHUA

## Warning!

Please read the user manual included in this work as it contains important information related with safety of installation and use of the device.

Only persons who read the user manual may use the device.

The user manual must be kept because it may be required in the future. The device is to be used exclusively for purposes specified in this user manual.

The device must be unpacked prior to starting-up. After removing the packaging make sure the device is in working order. If the product has defects, it should not be used until it is repaired.

The product is intended for use at home and commercial use and may not be used for other than intended use.

The manufacturer is not liable for damages resulting from not adhering to the rules contained in the user manual, therefore, we recommend to follow the aforementioned safety rules for operation and maintenance of the device. In this way you will ensure yourself safety and avoid causing damage to the device.

The manufacturer and the supplier are not liable for losses or damages arising out of the product, including financial or intangible losses, loss of profits, income, data, pleasure from use of the product or other products related with it - indirect, incidental or consequential loss or damage. The above provisions apply whether the loss or damage concerns:

1. Deterioration of quality or the lack of operation of the products or products related with it due to damage as well as the lack of access to the product when it is undergoing repair, which results in stoppage the loss of user's time or a break in business activity;
2. Improper results of operation of the product or products related with it;
3. It applies to losses and damages according to any legal category, including negligence and other losses, termination of a contract, expressed or implied guarantee and strict liability (even if the manufacturer or the supplier was notified about the possibility of occurrence of such damages).

### Safety measures:

Particular attention at designing was directed to quality standards of the device where ensuring safety of operation is the most important factor.

The device must be secured against contact with caustic, staining and viscous fluids.

The device was designed in such a way that it restarts operation when power supply is restored after a break.

**Attention! We recommend using protections to further protect the device from possible overvoltages in installations. Surge protectors are effective protection against accidental pass to the device voltages higher than the rated. Damages caused by pass the voltages higher than specified in manual, are not under warranty.**

Turn off the device before transporting it.

Prior to connecting the device to a power source check whether the supplied voltage is consistent with rated voltage specified in the user manual.

### Proper product disposal:

A marking of a crossed out waste bin indicates that the product may not be disposed together with other household waste in the entire EU. To avoid possible damage to the natural environment of health due to uncontrolled waste disposal, therefore, it should be handed over for recycling, propagating in this way sustainable use of natural resources.

To return a worn-out product, use a collection and disposal system of this type of equipment or contact a seller from whom it was purchased. He will then be recycled in an environmentally-friendly way.

The **DAHUA TiOC** series of cameras are modern IP cameras combining 3 innovative technologies: **Dahua Full-Color** - 24/7 color image, **Wiz-Sense** - AI artificial intelligence functions and audio-visual **active deterrence**

The camera is equipped with a dual illuminator: IR and white light with an intelligent switching function. In the night mode, the camera uses an IR illuminator, and when there is movement in the monitored area, it switches to the color mode with a white light illuminator for detailed recording of key events. This solution allows to minimize the light pollution generated by the camera after dark, while maintaining all the advantages of a color recording.

IP camera with efficient H.264 / H.265 image compression algorithm for clear and smooth video streaming at maximal resolution of 8.3 MPx, 4K UHD. PoE powering possibility, compatible with the 802.3af standard makes the device more universal and easier to install.

In addition, the camera has the function of active deterrence of intruders using flashing red and blue light and siren sound.



Standard:	IP
Resolution:	3840 x 2160 - 8.3 Mpx 4K UHD , 3072 x 2048 - 6 Mpx , 3072 x 1728 - 5 Mpx , 2592 x 1944 - 5 Mpx , 2688 x 1520 - 4 Mpx , 2560 x 1440 - 4 Mpx , 2048 x 1536 - 3 Mpx , 2304 x 1296 - 3 Mpx , 1920 x 1080 - 1080p , 1280 x 960 - 1.3 Mpx , 1280 x 720 - 720p
Sensor:	1/2.7 " Progressive Scan CMOS
Lens:	2.8 mm
View angle:	106 °



# User Manual

Code: IPC-HDW3849H-AS-PV-0280B-S5-BLACK

IP CAMERA **IPC-HDW3849H-AS-PV-0280B-S5-BLACK** TiOC Full-Color - 8.3 Mpx 4K UHD 2.8 mm  
DAHUA

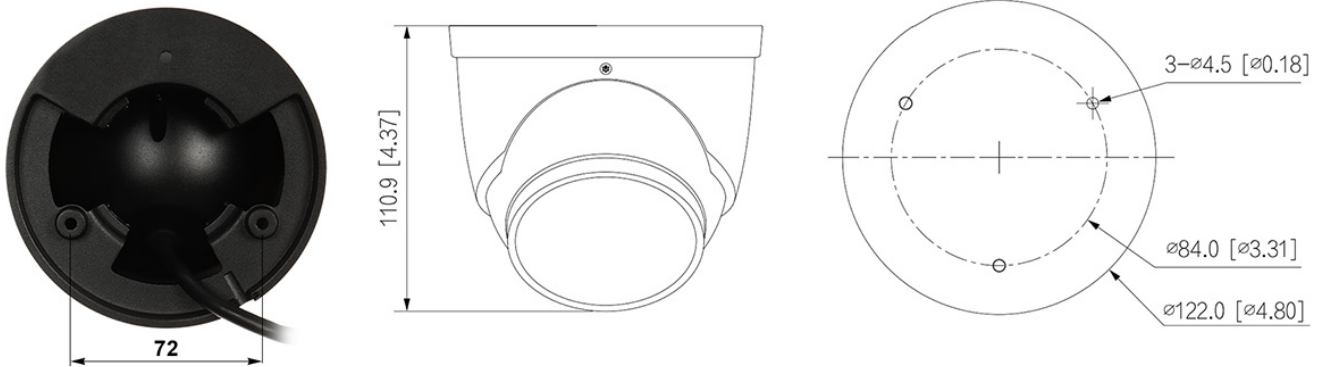
Range of IR illumination:	≤ 30 m
White light LED illuminator range:	≤ 30 m
Image compression method:	H.265+ / H.265 / H.264+ / H.264 / MJPEG
Memory card slot:	Micro SD card support up to 256GB
Alarm inputs / outputs:	1 / 1
Audio:	<ul style="list-style-type: none"><li>• Microphone built-in : 2 pcs,</li><li>• Audio input,</li><li>• Audio output,</li><li>• Speaker built-in,</li><li>• Bi-directional audio streaming support,</li><li>• Audio detection,</li><li>• Compliance with the AAC standard</li></ul>
Main stream frame rate:	25 fps @ 8.3 Mpx
Network interface:	10/100 Base-T (RJ-45)
WEB Server:	Built-in
Max. number of on-line users:	20
ONVIF:	✓
Mobile phones support:	Port no.: 37777 or access by a cloud (P2P) <ul style="list-style-type: none"><li>• Android: <a href="#">DMSS</a> free application</li><li>• iOS (iPhone): <a href="#">DMSS</a> free application</li></ul>
Default IP address:	192.168.1.108
Default admin user / password:	admin / - The administrator password should be set at the first start
Web browser access ports:	80, 37777
PC client access ports:	37777
Mobile client access ports:	37777
Port ONVIF:	80
RTSP URL:	rtsp://admin:haslo@192.168.1.108:554/cam/realmonitor?channel=1&subtype=0 - Main stream rtsp://admin:haslo@192.168.1.108:554/cam/realmonitor?channel=1&subtype=1 - Sub stream
Intelligent Image Analysis:	<ul style="list-style-type: none"><li>• crossing the line (tripwire)</li><li>• intrusion</li><li>• classification of people and vehicles</li><li>• scene changing</li><li>• video tampering</li><li>• AcuPick support - technology that uses artificial intelligence on both front-end and back-end to search through massive amounts of video data to quickly locate targets with high precision</li><li>• Quick Pick - AI technology enabling, together with the recorder, quick identification of interesting objects (people/vehicles) based on an artificial intelligence algorithm. It allows to extract and compare the colors of clothes and vehicles</li><li>• AI SSA AI Smart Scene Adaptive - scene auto-adaptation using deep learning algorithms to detect environmental conditions such as rain, fog, backlight, low light and flickering, in order to set the optimal image parameters</li><li>• SMD 4.0 - searching for an object classified as: human, motor vehicle - increased detection distance and resistance to false alarms</li></ul>

Main features:	<ul style="list-style-type: none"> <li>• Active intrusion deterrence works by blinking blue and red light and siren sound or voice prompts</li> <li>• WDR - 120 dB - Wide Dynamic Range</li> <li>• 3D-DNR - Digital Noise Reduction</li> <li>• F-DNR (Defog) - Reduction of image noise caused by precipitation</li> <li>• ROI - improve the quality of selected parts of image</li> <li>• BLC/HLC - Back Light / High Light Compensation</li> <li>• Full Color - colorful night mode</li> <li>• White light (LED) illuminator built-in</li> <li>• Day/Night mode (color/b&amp;w/auto)</li> <li>• ICR - Movable InfraRed filter</li> <li>• Auto White Balance</li> <li>• AGC - Automatic Gain Control</li> <li>• Image rotation and mirror</li> <li>• Motion Detection</li> <li>• Configurable Privacy Zones</li> </ul>
Housing:	Dome - Metal
Color:	Black
"Index of Protection":	IP67
Mechanical protection class:	—
Power supply:	<ul style="list-style-type: none"> <li>• PoE (802.3af),</li> <li>• 12 V DC / 770 mA</li> </ul>
Power consumption:	<ul style="list-style-type: none"> <li>• ≤ 10.1 W @ PoE</li> <li>• ≤ 8.6 W @ 12 V</li> </ul>
Operation temp:	-40 °C ... 60 °C
Weight:	0.76 kg
Dimensions:	Ø 122 x 111 mm
Supported languages:	Polish, English, Czech, French, Spanish, Dutch, German, Russian, Portuguese, Romanian, Turkish, Ukrainian, Hungarian, Vietnamese, Italian
Manufacturer / Brand:	DAHUA
Guarantee:	<b>3 years</b>

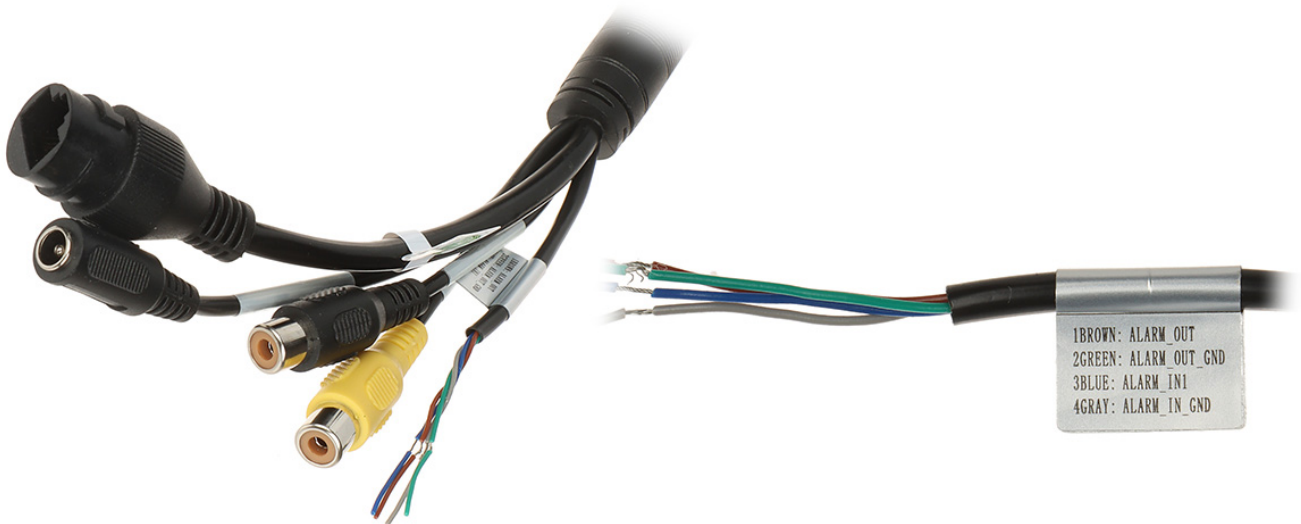
Side view



## Dimensions



## Camera connectors



## Presentation of the TiOC technology used in the camera

## Example captures of device interface



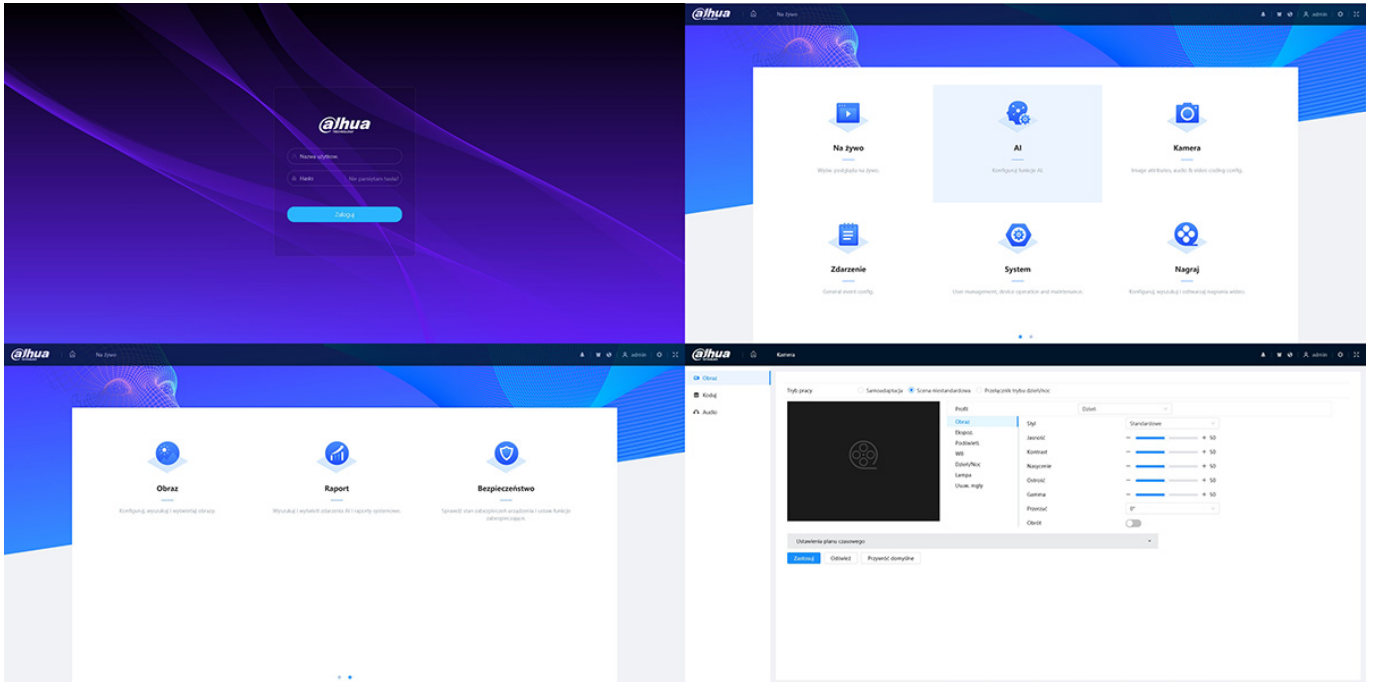




# User Manual

Code: IPC-HDW3849H-AS-PV-0280B-S5-BLACK

IP CAMERA **IPC-HDW3849H-AS-PV-0280B-S5-BLACK** TiOC Full-Color - 8.3 Mpx 4K UHD 2.8 mm  
DAHUA



See how to initialize DAHUA cameras

In the kit



PACKAGE

Dimensions (L x W x H): 0x0x0 mm	Gross Weight: 0 kg
----------------------------------	--------------------

DELTA-OPTI Monika Matysiak; <https://www.delta.poznan.pl>  
POL; 60-713 Poznań; Graniczna 10  
e-mail: [delta-opti@delta.poznan.pl](mailto:delta-opti@delta.poznan.pl); tel: +(48) 61 864 69 60