

Warning!

Please read the user manual included in this work as it contains important information related with safety of installation and use of the device.

Only persons who read the user manual may use the device.

The user manual must be kept because it may be required in the future. The device is to be used exclusively for purposes specified in this user manual.

The device must be unpacked prior to starting-up. After removing the packaging make sure the device is in working order. If the product has defects, it should not be used until it is repaired.

The product is intended for use at home and commercial use and may not be used for other than intended use.

The manufacturer is not liable for damages resulting from not adhering to the rules contained in the user manual, therefore, we recommend to follow the aforementioned safety rules for operation and maintenance of the device. In this way you will ensure yourself safety and avoid causing damage to the device.

The manufacturer and the supplier are not liable for losses or damages arising out of the product, including financial or intangible losses, loss of profits, income, data, pleasure from use of the product or other products related with it - indirect, incidental or consequential loss or damage. The above provisions apply whether the loss or damage concerns:

1. Deterioration of quality or the lack of operation of the products or products related with it due to damage as well as the lack of access to the product when it is undergoing repair, which results in stoppage the loss of user's time or a break in business activity;
2. Improper results of operation of the product or products related with it;
3. It applies to losses and damages according to any legal category, including negligence and other losses, termination of a contract, expressed or implied guarantee and strict liability (even if the manufacturer or the supplier was notified about the possibility of occurrence of such damages).

Safety measures:

Particular attention at designing was directed to quality standards of the device where ensuring safety of operation is the most important factor.

The device must be secured against contact with caustic, staining and viscous fluids.

The device was designed in such a way that it restarts operation when power supply is restored after a break.

Attention! We recommend using protections to further protect the device from possible overvoltages in installations. Surge protectors are effective protection against accidental pass to the device voltages higher than the rated. Damages caused by pass the voltages higher than specified in manual, are not under warranty.

Turn off the device before transporting it.

Prior to connecting the device to a power source check whether the supplied voltage is consistent with rated voltage specified in the user manual.

Proper product disposal:

A marking of a crossed out waste bin indicates that the product may not be disposed together with other household waste in the entire EU. To avoid possible damage to the natural environment of health due to uncontrolled waste disposal, therefore, it should be handed over for recycling, propagating in this way sustainable use of natural resources.

To return a worn-out product, use a collection and disposal system of this type of equipment or contact a seller from whom it was purchased. He will then be recycled in an environmentally-friendly way.

The Dahua WizMind Dual-Lens Counting Camera uses imaging from two sensors to detect people and real-time tracking and behaviour analysis.

PoE powering possibility, compatible with the 802.3af standard makes the device more universal and easier to install. Thanks to the "Starlight" technology used, the camera only needs very low lighting to obtain a clear color image.





User Manual

Code: IPC-HDW8441X-3D-0200B

DUAL IP CAMERA **IPC-HDW8441X-3D-0200B** WizMind - 3.7 Mpx, 2.0 mm DAHUA

Standard:	IP
Resolution:	2560 x 1440 px - 3.7 Mpx , 2048 x 1536 px - 3 Mpx , 2304 x 1296 px - 3 Mpx , 1920 x 1080 px - 1080p , 1280 x 960 px - 1.3 Mpx , 1280 x 720 px - 720p
Sensor:	2 x 1/2.8 " Progressive Scan CMOS
Lens:	2 x 2.0 mm / F2.0
View angle:	122 °
Range of IR illumination:	20 m
Memory card slot:	Micro SD memory cards up to 512GB support (possible local recording)
Image compression method:	H.265+ / H.265 / H.264+ / H.264H / H.264B / H.264 / MJPEG
Video output:	1 pcs BNC socket
Alarm inputs / outputs:	2 / 2
RS-485 interface:	✓
Audio:	<ul style="list-style-type: none">• 2 x Audio input• Audio output• Microphone built-in,• Speaker built-in,• Bi-directional audio streaming support,• Audio detection
Main stream frame rate:	25 fps @ 3.7 Mpx
Interface:	10/100/1000 Base-T (RJ-45)
WEB Server:	Built-in
Max. number of on-line users:	20
ONVIF:	✓
Intelligent Image Analysis:	<ul style="list-style-type: none">• IVS analysis - Deep Learning technology : Target Count, line crossing people counting, region people counting, crossing the line (tripwire), intrusion, abandoned/missing object, detection of loitering in a given area, illegal parking, fast moving, classification of people and vehicles, detection of people gathering, face detection• Face analysis: determination of sex, age and characteristic elements of appearance (glasses, facial hair, mask), supports 6 types of facial attributes extraction



User Manual

Code: IPC-HDW8441X-3D-0200B

DUAL IP CAMERA **IPC-HDW8441X-3D-0200B** WizMind - 3.7 Mpx, 2.0 mm DAHUA

Main features:	<ul style="list-style-type: none">• Thanks to the "Starlight" technology used, the camera only needs very low lighting to obtain a clear color image• Controlling from browser, NVR or software• WDR - 120 dB - Wide Dynamic Range• 3D-DNR - Digital Noise Reduction• F-DNR (Defog) - Reduction of image noise caused by precipitation• BLC/HLC - Back Light / High Light Compensation• AGC - Automatic Gain Control• Day/night mode• ICR - Movable InfraRed filter• WB - White Balance (ATW/AWB/manual/indoor/outdoor)• SSA - Smart Scene Adaptive - intelligent scene adaptation by automatically adjusting the exposure parameters to obtain a better image• ROI - improve the quality of selected parts of image• NAS - Network Attached Storage support - allows to connect memory resources directly to the computer network• Privacy zones• Motion Detection• Power output 12 V DC / 165 mA
Mobile phones support:	Port no.: 37777 or access by a cloud (P2P) Android, iOS (iPhone) - DSS/Smart PSS application
Default IP address:	192.168.1.108
Default admin user / password:	admin / - The administrator password should be set at the first start
Web browser access ports:	80, 37777
PC client access ports:	37777
Mobile client access ports:	37777
Port ONVIF:	80
RTSP URL:	rtsp://admin:haslo@192.168.1.108:554/cam/realmonitor?channel=1&subtype=0 - Main stream rtsp://admin:haslo@192.168.1.108:554/cam/realmonitor?channel=1&subtype=1 - Sub stream
Power supply:	<ul style="list-style-type: none">• PoE (802.3af),• 12 V DC / 950 mA
Power consumption:	<ul style="list-style-type: none">• ≤ 12.9 W @ PoE• ≤ 11.3 W @ 12 V DC
Housing:	Compact, Metal
Color:	White
"Index of Protection":	IP67
IK rating:	IK10
Operation temp:	-40 °C ... 60 °C
Weight:	0.82 kg
Dimensions:	204 x 78 x 62 mm
Supported languages:	English
Manufacturer / Brand:	DAHUA
Guarantee:	5 years

Front view



Rear view



Memory card slot and "Reset" button



Mounting side view



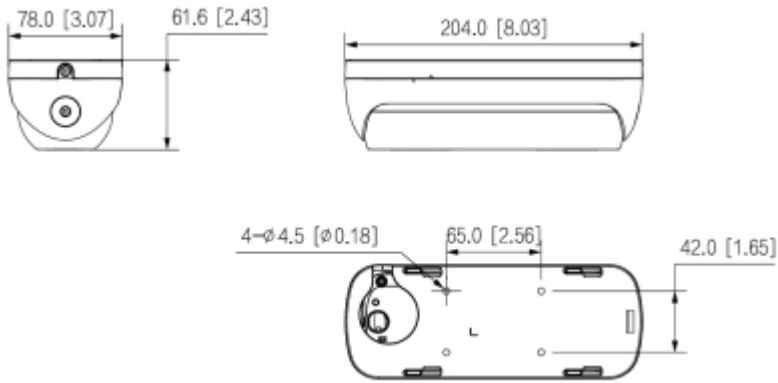
Connectors



Connectors description



Camera dimensions



See how to initialize DAHUA cameras

In the kit



PACKAGE

Dimensions (L x W x H): 0x0x0 mm	Gross Weight: 0 kg
----------------------------------	--------------------