



User Manual

Code: HM-TD1017-2/QW-HS121
THERMAL PRESENCE DETECTOR **HM-TD1017-2/QW-HS121** HIKMICRO

Warning!

Please read the user manual included in this work as it contains important information related with safety of installation and use of the device.

Only persons who read the user manual may use the device.

The user manual must be kept because it may be required in the future. The device is to be used exclusively for purposes specified in this user manual.

The device must be unpacked prior to starting-up. After removing the packaging make sure the device is in working order. If the product has defects, it should not be used until it is repaired.

The product is intended for use at home and commercial use and may not be used for other than intended use.

The manufacturer is not liable for damages resulting from not adhering to the rules contained in the user manual, therefore, we recommend to follow the aforementioned safety rules for operation and maintenance of the device. In this way you will ensure yourself safety and avoid causing damage to the device.

The manufacturer and the supplier are not liable for losses or damages arising out of the product, including financial or intangible losses, loss of profits, income, data, pleasure from use of the product or other products related with it - indirect, incidental or consequential loss or damage. The above provisions apply whether the loss or damage concerns:

1. Deterioration of quality or the lack of operation of the products or products related with it due to damage as well as the lack of access to the product when it is undergoing repair, which results in stoppage the loss of user's time or a break in business activity;
2. Improper results of operation of the product or products related with it;
3. It applies to losses and damages according to any legal category, including negligence and other losses, termination of a contract, expressed or implied guarantee and strict liability (even if the manufacturer or the supplier was notified about the possibility of occurrence of such damages).

Safety measures:

Particular attention at designing was directed to quality standards of the device where ensuring safety of operation is the most important factor.

The device must be secured against contact with caustic, staining and viscous fluids.

The device was designed in such a way that it restarts operation when power supply is restored after a break.

Attention! We recommend using protections to further protect the device from possible overvoltages in installations. Surge protectors are effective protection against accidental pass to the device voltages higher than the rated. Damages caused by pass the voltages higher than specified in manual, are not under warranty.

Turn off the device before transporting it.

Prior to connecting the device to a power source check whether the supplied voltage is consistent with rated voltage specified in the user manual.

Proper product disposal:

A marking of a crossed out waste bin indicates that the product may not be disposed together with other household waste in the entire EU. To avoid possible damage to the natural environment of health due to uncontrolled waste disposal, therefore, it should be handed over for recycling, propagating in this way sustainable use of natural resources.

To return a worn-out product, use a collection and disposal system of this type of equipment or contact a seller from whom it was purchased. He will then be recycled in an environmentally-friendly way.

The HM-TD1017-2/QW-HS121 thermal presence detector is designed for indoor use. The device uses thermal imaging technology, for example, to detect the presence of people in a room. People counting function can generate an alarm exception. It is widely used in offices, hospital rooms, meeting rooms, classrooms and libraries.

In addition to alarm applications, the detector can be used to detect abnormal behavior (e.g. for patient safety), for energy savings (lighting, air conditioning control), or in fire protection (temperature detection from -20°C to 200°C). The device has a relay alarm output that can be connected to an alarm system, lighting or air conditioning control system.

Viewing of the video stream and configuration of the device is possible from the client application or via a web browser using the 2.4 GHz Wi-Fi interface. The detector also has a RS-485 communication port.



Support:	Hikvision
Operation way:	Thermal imaging detector
Detection range:	3 m
Detection angle:	90 °
Alarm signaling:	Relay output

THERMAL IMAGING CAMERA:

Sensor:	Uncooled VOx microbolometer
Matrix size:	160 x 120 px
Pixel pitch:	17 μm
Thermal sensitivity (NETD):	≤ 50 mK @ 25 °C F1.1



User Manual

Code: HM-TD1017-2/QW-HS121
THERMAL PRESENCE DETECTOR **HM-TD1017-2/QW-HS121** HIKMICRO

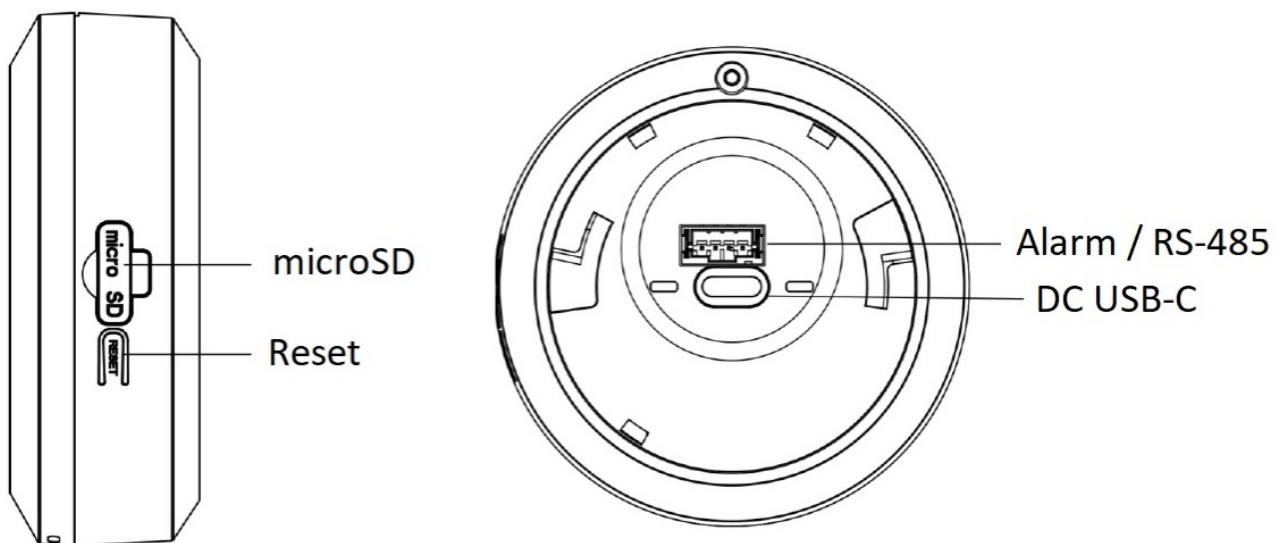
Spectral range:	8 μ m ... 14 μ m
Lens:	1.9 mm
View angle:	90 °
Resolution:	1280 x 720 - 720p , 704 x 576 640 x 480 352 x 288 320 x 240
Image compression method:	H.265 / H.264
Main stream frame rate:	25 fps @ 720p
Temperature measurement range:	-20 °C ... 200 °C
Accuracy of temperature measurement:	\pm 8 °C

General information:

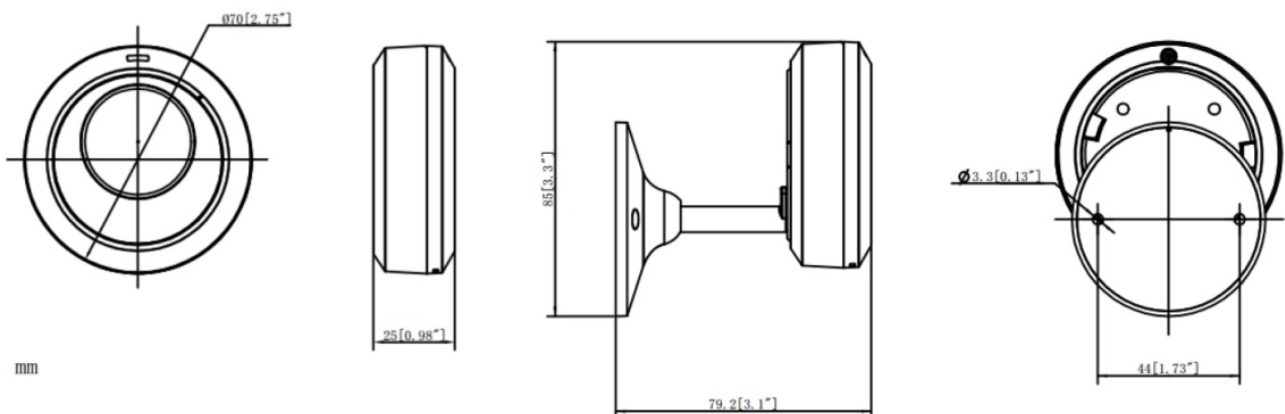
Network interface:	2.4 GHz - Wi-Fi IEEE 802.11 b/g/n
Security measures:	WEP 64/128-bit, WPA/WPA2, WPA-PSK/WPA2-PSK
WEB Server:	Built-in
Max. number of on-line users:	20
ONVIF:	✓
Web browser access ports:	80
PC client access ports:	8000 - iVMS-4200 application
Port ONVIF:	80
Alarm inputs / outputs:	0 / 1
RS-485 interface:	✓
Memory card slot:	Micro SD card support up to 256GB
Main features:	<ul style="list-style-type: none">• ANR - Automatic Network Replenishment allows to save image to the card when the network connection with DVR is break (network failure) and next synchronize its• NAS - Network Attached Storage support - allows to connect memory resources directly to the computer network• LED indication - WiFi• RESET button• Mounting bracket included - Possibility to mount on the wall or ceiling• Connecting cables - included
Recommended installation height:	max. 2.8 m
Color:	White
Power supply:	<ul style="list-style-type: none">• 5 ... 16 V DC - from USB-C port,• PoE - USB-C/PoE converter
Power consumption:	max. 3.5 W
Operation temp:	-10 °C ... 40 °C
Permissible relative humidity:	\leq 95 % (non-condensing)
Weight:	0.1 kg

Dimensions:	<ul style="list-style-type: none"> • Ø 70 x 25 mm (without bracket) • 70 x 85 x 79 mm (with bracket)
Supported languages:	Polish, English, Bulgarian, Croatian, Czech, Danish, Estonian, Finnish, French, Greek, Spanish, Dutch, Lithuanian, Latvian, German, Norwegian, Portuguese, Russian, Romanian, Serbian, Slovak, Slovenian, Swedish, Turkish, Hungarian, Italian
Manufacturer / Brand:	HIKMICRO
SAP Code:	305401641
Guarantee:	10 years

Side and rear view



Dimensions



Assembly



User Manual

Code: HM-TD1017-2/QW-HS121
THERMAL PRESENCE DETECTOR **HM-TD1017-2/QW-HS121** HIKMICRO

PACKAGE

Dimensions (L x W x H): 0x0x0 mm	Gross Weight: 0 kg
----------------------------------	--------------------

