



User Manual

Code: IPC-HFW5541E-ZE-0735-S3

IP VANDALPROOF CAMERA **IPC-HFW5541E-ZE-0735-S3** WizMind S - 5 Mpx 7 ... 35 mm -
MOTOZOOM DAHUA

Warning!

Please read the user manual included in this work as it contains important information related with safety of installation and use of the device.

Only persons who read the user manual may use the device.

The user manual must be kept because it may be required in the future. The device is to be used exclusively for purposes specified in this user manual.

The device must be unpacked prior to starting-up. After removing the packaging make sure the device is in working order. If the product has defects, it should not be used until it is repaired.

The product is intended for use at home and commercial use and may not be used for other than intended use.

The manufacturer is not liable for damages resulting from not adhering to the rules contained in the user manual, therefore, we recommend to follow the aforementioned safety rules for operation and maintenance of the device. In this way you will ensure yourself safety and avoid causing damage to the device.

The manufacturer and the supplier are not liable for losses or damages arising out of the product, including financial or intangible losses, loss of profits, income, data, pleasure from use of the product or other products related with it - indirect, incidental or consequential loss or damage. The above provisions apply whether the loss or damage concerns:

1. Deterioration of quality or the lack of operation of the products or products related with it due to damage as well as the lack of access to the product when it is undergoing repair, which results in stoppage the loss of user's time or a break in business activity;
2. Improper results of operation of the product or products related with it;
3. It applies to losses and damages according to any legal category, including negligence and other losses, termination of a contract, expressed or implied guarantee and strict liability (even if the manufacturer or the supplier was notified about the possibility of occurrence of such damages).

Safety measures:

Particular attention at designing was directed to quality standards of the device where ensuring safety of operation is the most important factor.

The device must be secured against contact with caustic, staining and viscous fluids.

The device was designed in such a way that it restarts operation when power supply is restored after a break.

Attention! We recommend using protections to further protect the device from possible overvoltages in installations. Surge protectors are effective protection against accidental pass to the device voltages higher than the rated. Damages caused by pass the voltages higher than specified in manual, are not under warranty.

Turn off the device before transporting it.

Prior to connecting the device to a power source check whether the supplied voltage is consistent with rated voltage specified in the user manual.

Proper product disposal:

A marking of a crossed out waste bin indicates that the product may not be disposed together with other household waste in the entire EU. To avoid possible damage to the natural environment of health due to uncontrolled waste disposal, therefore, it should be handed over for recycling, propagating in this way sustainable use of natural resources.

To return a worn-out product, use a collection and disposal system of this type of equipment or contact a seller from whom it was purchased. He will then be recycled in an environmentally-friendly way.

IP camera with efficient H.264 / H.265 image compression algorithm for clear and smooth video streaming at maximal resolution of 5 Mpx. Due to above it is perfect solution for surveillance systems requiring persons or vehicles recognition.

The used motozoom lens with 2.7 ... 13.5 mm focal length allows to remote view angle adjustment.

The range of IR illumination according to the manufacturer data, depends on outer conditions (visibility - air transparency, environment, wall colors ie. scene reflectance).

PoE powering possibility, compatible with the 802.3af standard makes the device more universal and easier to install. The device is equipped with ePoE technology which enables transmission up to 800 m at a speed of 10 Mb/s or 300 m at a speed of 100 Mb/s via UTP.

The camera has extensive functions of intelligent image analysis.



Standard:	IP
Resolution:	2960 x 1668 - 5 Mpx , 2880 x 1620 - 4.7 Mpx , 2688 x 1520 - 4 Mpx , 2560 x 1440 - 3.7 Mpx , 2048 x 1536 - 3 Mpx , 2304 x 1296 - 3 Mpx , 1920 x 1080 - 1080p , 1280 x 960 - 1.3 Mpx , 1280 x 720 - 720p
Sensor:	1/2.7 " Progressive Scan CMOS
Lens:	7 ... 35 mm - Motozoom
View angle:	31 ° ... 11 °





User Manual

Code: IPC-HFW5541E-ZE-0735-S3

IP VANDALPROOF CAMERA **IPC-HFW5541E-ZE-0735-S3** WizMind S - 5 Mpx 7 ... 35 mm -
MOTOZOOM DAHUA

Compression:	H.265+ / H.265 / H.264+ / H.264 / MJPEG / AI Coding
Range of IR illumination:	60 m
Alarm inputs / outputs:	2 / 1
Main stream frame rate:	25 fps @ 5 Mpx
Audio:	<ul style="list-style-type: none">• Microphone built-in,• External microphone input• Audio output• Bi-directional audio streaming support• Smart audio detection• Compliance with the AAC standard
Network interface:	10/100 Base-T (RJ-45)
Default IP address:	192.168.1.108
Default admin user / password:	admin / - The administrator password should be set at the first start
Mobile phones support:	Port no.: 37777 or access by a cloud (P2P) <ul style="list-style-type: none">• Android: DMSS free application• iOS (iPhone): DMSS free application
WEB Server:	Built-in
Web browser access ports:	80, 37777
PC client access ports:	37777
Mobile client access ports:	37777
Max. number of on-line users:	20
ONVIF:	22.06
Port ONVIF:	80
RTSP URL:	rtsp://admin:haslo@192.168.1.108:554/cam/realmonitor?channel=1&subtype=0 - Main stream rtsp://admin:haslo@192.168.1.108:554/cam/realmonitor?channel=1&subtype=1 - Sub stream
Memory card slot:	Micro SD memory cards up to 512GB support (possible local recording)
Intelligent Image Analysis:	<ul style="list-style-type: none">• crossing the line (tripwire) - classification of people and vehicles• face detection - supports 6 types of facial attributes extraction, supports 8 types of face expressions• counting people entering and leaving the area - configuration to 4 counting rules• parking detection• detection of people gathering• loitering detection• abandoned/missing object• fast moving - classification of people and vehicles• intrusion - classification of people and vehicles• SMD 3.0 - searching for an object classified as: human, motor vehicle



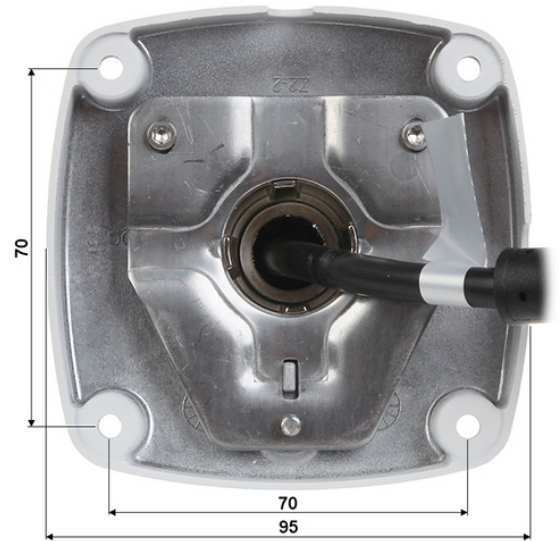
User Manual

Code: IPC-HFW5541E-ZE-0735-S3

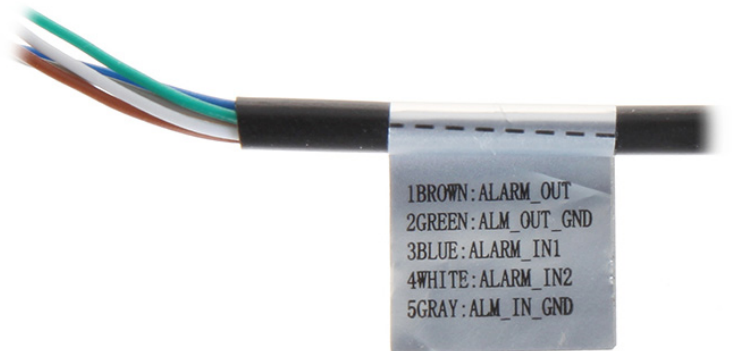
IP VANDALPROOF CAMERA **IPC-HFW5541E-ZE-0735-S3** WizMind S - 5 Mpx 7 ... 35 mm -
MOTOZOOM DAHUA

Main features:	<ul style="list-style-type: none">• Motozoom lens• WDR - 120 dB - Wide Dynamic Range• 3D-DNR - Digital Noise Reduction• EIS - Electronic Image Stabilization• F-DNR (Defog) - Reduction of image noise caused by precipitation• ROI - improve the quality of selected parts of image• AcuPick support - technology that uses artificial intelligence on both front-end and back-end to search through massive amounts of video data to quickly locate targets with high precision• AI SSA AI Smart Scene Adaptive - scene auto-adaptation using deep learning algorithms to detect environmental conditions such as rain, fog, backlight, low light and flickering, in order to set the optimal image parameters• BLC/HLC - Back Light / High Light Compensation• Possibility to change the resolution, quality and bit rate• Motion Detection• Configurable Privacy Zones• Day/night mode• ICR - Movable InfraRed filter• Auto White Balance• NAS - Network Attached Storage support• AGC - Automatic Gain Control• Image rotation and mirror• Smart audio detection• Heat map - the selection in the image by corresponding colors the areas with different traffic
Housing:	Compact, Metal
Color:	White + Black
"Index of Protection":	IP67
Mechanical protection class:	IK10
Power supply:	<ul style="list-style-type: none">• ePoE,• PoE (802.3af),• 12 V DC / 600 mA
Power consumption:	<ul style="list-style-type: none">• ≤ 13 W @ PoE• ≤ 10.4 W @ 12 V
Operation temp:	-30 °C ... 60 °C
Weight:	1.11 kg
Dimensions:	273 x 95 x 95 mm
Supported languages:	Polish, English, Czech, French, Spanish, Dutch, German, Portuguese, Russian, Romanian, Turkish, Hungarian, Italian
Manufacturer / Brand:	DAHUA
Guarantee:	5 years

Side view



Connectors



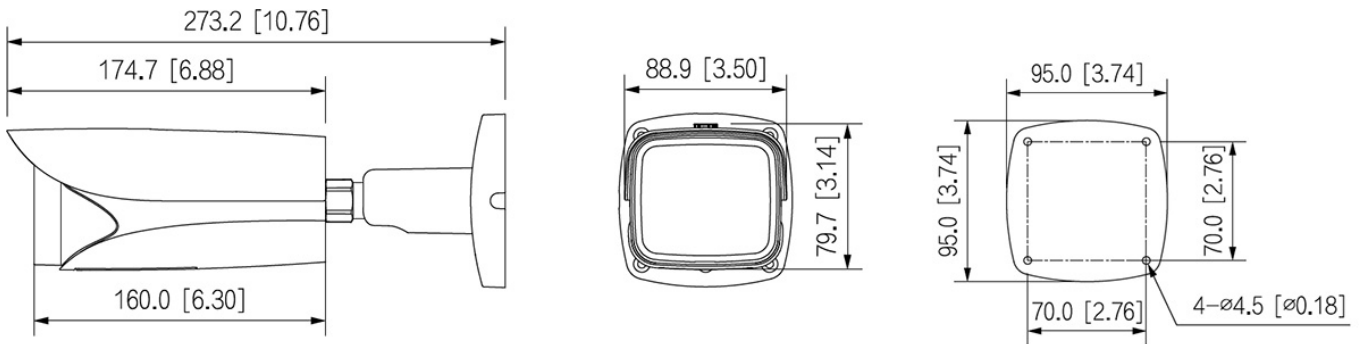
Dimensions



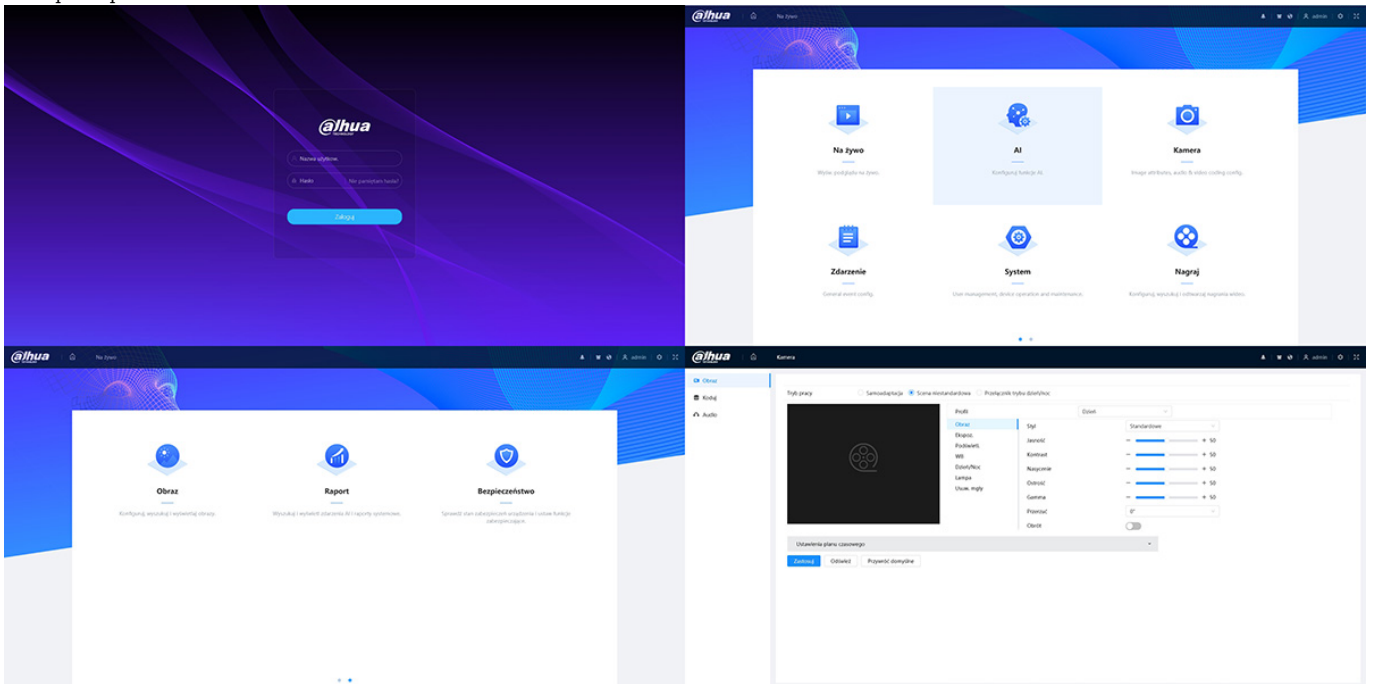
User Manual

Code: IPC-HFW5541E-ZE-0735-S3

IP VANDALPROOF CAMERA **IPC-HFW5541E-ZE-0735-S3** WizMind S - 5 Mpx 7 ... 35 mm -
MOTOZOOM DAHUA



Example captures of device interface



See how to initialize DAHUA cameras

In the kit



PACKAGE

Dimensions (L x W x H): 0x0x0 mm	Gross Weight: 0 kg
----------------------------------	--------------------