



User Manual

Code: SD3E410DB-GNY-A-PV

PTZ OUTDOOR IP CAMERA **SD3E410DB-GNY-A-PV** TiOC WizSense - 3.7 Mpx 4 ... 40 mm DAHUA

Warning!

Please read the user manual included in this work as it contains important information related with safety of installation and use of the device.

Only persons who read the user manual may use the device.

The user manual must be kept because it may be required in the future. The device is to be used exclusively for purposes specified in this user manual.

The device must be unpacked prior to starting-up. After removing the packaging make sure the device is in working order. If the product has defects, it should not be used until it is repaired.

The product is intended for use at home and commercial use and may not be used for other than intended use.

The manufacturer is not liable for damages resulting from not adhering to the rules contained in the user manual, therefore, we recommend to follow the aforementioned safety rules for operation and maintenance of the device. In this way you will ensure yourself safety and avoid causing damage to the device.

The manufacturer and the supplier are not liable for losses or damages arising out of the product, including financial or intangible losses, loss of profits, income, data, pleasure from use of the product or other products related with it - indirect, incidental or consequential loss or damage. The above provisions apply whether the loss or damage concerns:

1. Deterioration of quality or the lack of operation of the products or products related with it due to damage as well as the lack of access to the product when it is undergoing repair, which results in stoppage the loss of user's time or a break in business activity;
2. Improper results of operation of the product or products related with it;
3. It applies to losses and damages according to any legal category, including negligence and other losses, termination of a contract, expressed or implied guarantee and strict liability (even if the manufacturer or the supplier was notified about the possibility of occurrence of such damages).

Safety measures:

Particular attention at designing was directed to quality standards of the device where ensuring safety of operation is the most important factor.

The device must be secured against contact with caustic, staining and viscous fluids.

The device was designed in such a way that it restarts operation when power supply is restored after a break.

Attention! We recommend using protections to further protect the device from possible overvoltages in installations. Surge protectors are effective protection against accidental pass to the device voltages higher than the rated. Damages caused by pass the voltages higher than specified in manual, are not under warranty.

Turn off the device before transporting it.

Prior to connecting the device to a power source check whether the supplied voltage is consistent with rated voltage specified in the user manual.

Proper product disposal:

A marking of a crossed out waste bin indicates that the product may not be disposed together with other household waste in the entire EU. To avoid possible damage to the natural environment of health due to uncontrolled waste disposal, therefore, it should be handed over for recycling, propagating in this way sustainable use of natural resources.

To return a worn-out product, use a collection and disposal system of this type of equipment or contact a seller from whom it was purchased. He will then be recycled in an environmentally-friendly way.



The **DAHUA TiOC** series of cameras are modern IP cameras combining 3 innovative technologies: **Dahua Full-Color** - 24/7 color image, **Wiz-Sense** - AI artificial intelligence functions and audio-visual **active deterrence** (flashing red and blue lights and a siren sound).

Built-in Infra-Red illuminator enables night monitoring. The range of IR illumination according to the manufacturer data, depends on outer conditions (visibility - air transparency, environment, wall colors ie. scene reflectance).

Camera equipped with Full-Color technology, which allows you to obtain a clear color image even at night and has the function of active audio-visual deterrence in combination with AI artificial intelligence functions. PoE powering possibility, compatible with the 802.3af standard makes the device more universal and easier to install.

Standard:	IP
Resolution:	2560 x 1440 - 3.7 Mpx , 2304 x 1296 3 Mpx , 1920 x 1080 1080p , 1280 x 960 1.3 Mpx , 1280 x 720 - 720p
Sensor:	1/2.8 " Progressive Scan CMOS
Lens:	4 ... 40 mm
View angle:	51 ° ... 11 °
Optical zoom:	10x
Digital zoom:	16x
Range of IR illumination:	70 m



User Manual

Code: SD3E410DB-GNY-A-PV

PTZ OUTDOOR IP CAMERA **SD3E410DB-GNY-A-PV** TiOC WizSense - 3.7 Mpx 4 ... 40 mm DAHUA

White light LED illuminator range:	30 m
Video output:	—
Rotation speed (manual control):	<ul style="list-style-type: none">• 0.1 °/s ... 27 °/s (horizontal)• 0.1 °/s ... 19 °/s (vertical)
Preset rotation speed:	<ul style="list-style-type: none">• 24 °/s (horizontal)• 19 °/s (vertical)
Horizontal rotation range:	0 ° ... 355 ° - Rotation of the head is limited by stops
Vertical rotation range:	-15 ° ... 90 °
RS-485 interface:	—
Number of presets:	300
Horizontal scan:	—
Route settings:	—
Image compression method:	H.265+ / H.265 / H.264+ / H.264 / MJPEG
Alarm inputs / outputs:	—
Main stream frame rate:	25 fps - 4 Mpx
Memory card slot:	Micro SD card support up to 512GB
Network interface:	10/100 Base-T (RJ-45)
WEB Server:	Built-in, NVR compliance
Max. number of on-line users:	20
ONVIF:	✓
Audio:	<ul style="list-style-type: none">• Microphone built-in,• External microphone input,• Speaker built-in,• Audio detection,• Bi-directional audio streaming support,• Compliance with the AAC standard
Mobile phones support:	Port 37777 <ul style="list-style-type: none">• Android: DMSS free application• iOS (iPhone): DMSS free application
Default admin user / password:	admin / - The administrator password should be set at the first start
Default IP address:	192.168.1.108
Web browser access ports:	80, 37777
PC client access ports:	37777
Mobile client access ports:	37777
Port ONVIF:	80
RTSP URL:	rtsp://admin:haslo@192.168.1.108:554/cam/realmonitor?channel=1&subtype=0 - Main stream rtsp://admin:haslo@192.168.1.108:554/cam/realmonitor?channel=1&subtype=1 - Sub stream



User Manual

Code: SD3E410DB-GNY-A-PV

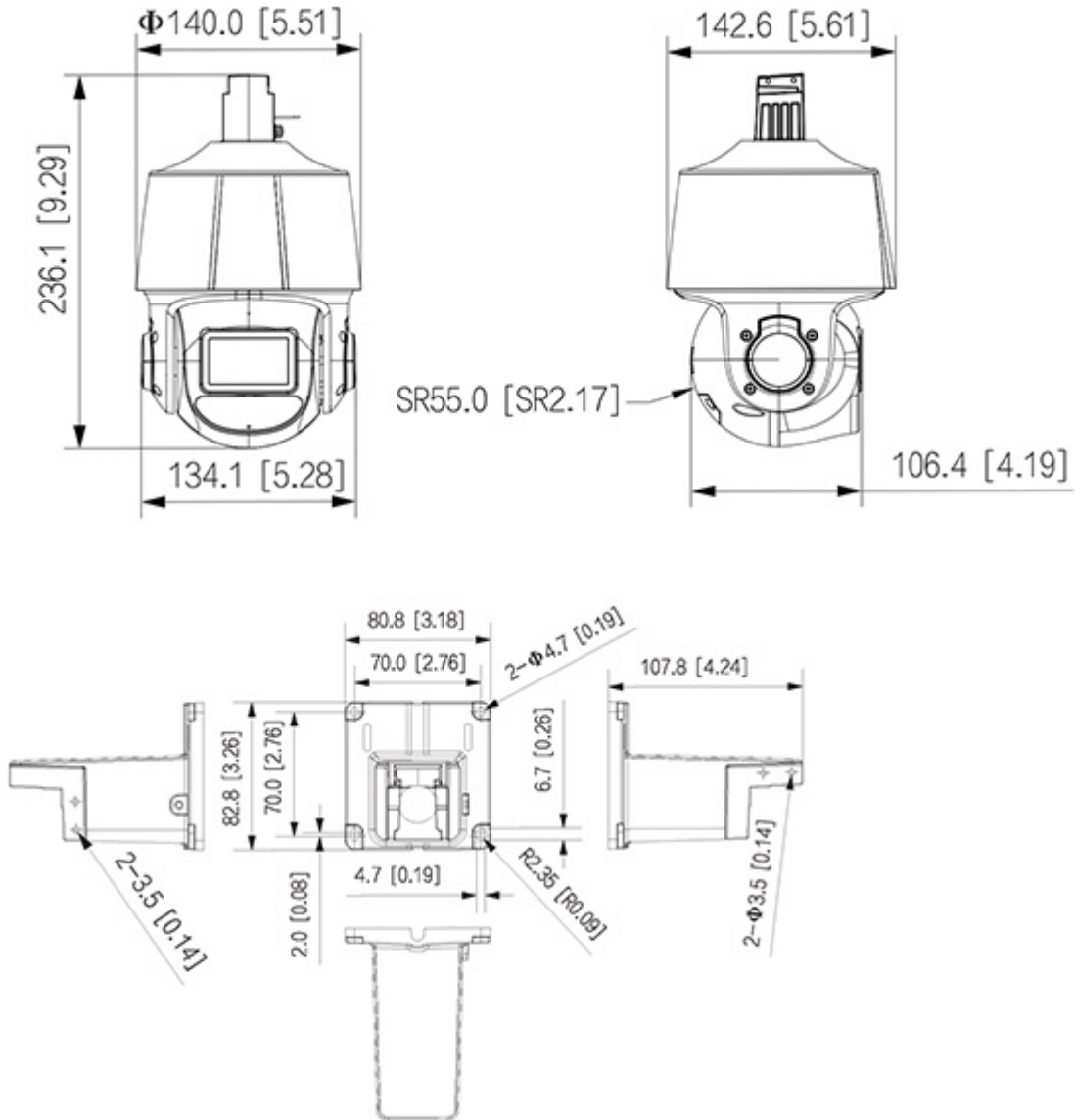
PTZ OUTDOOR IP CAMERA **SD3E410DB-GNY-A-PV** TiOC WizSense - 3.7 Mpx 4 ... 40 mm DAHUA

Intelligent Image Analysis:	<ul style="list-style-type: none">• Smart motion detection (with recognizing people and vehicles)• intrusion• crossing the line (tripwire)• detection of crossing a virtual fence• abandoned/missing object• fast moving• detection of people gathering• loitering detection• classification of people and vehicles• parking detection• face detection - advanced face capture features
Main features:	<ul style="list-style-type: none">• Active deterrence function - Active intrusion deterrence works by blinking blue and red light and siren sound or voice prompts• Intelligent Object Tracking• WDR - 120 dB - Wide Dynamic Range• 2-DNR, 3-DNR - Digital Noise Reduction• EIS - Electronic Image Stabilization• F-DNR (Defog) - Reduction of image noise caused by precipitation• ROI - improve the quality of selected parts of image• Day/night mode• BLC - Back Light Compensation• HLC - High Light Compensation (spot)• ICR - Movable InfraRed filter• The camera is equipped with a built-in heater with a thermostat• Motion Detection• Configurable Privacy Zones• Mirror - Mirror image
Power supply:	<ul style="list-style-type: none">• PoE (802.3at),• 12 V DC / 1.25 A
Power consumption:	<ul style="list-style-type: none">• ≤ 4 W (typical)• ≤ 14 W (max)
Housing:	Speed Dome, Metal + Plastic
Color:	White + Black
"Index of Protection":	IP66
Operation temp:	-30 °C ... 60 °C
Weight:	1.59 kg
Dimensions:	143 x 140 x 236 mm (without bracket)
Supported languages:	Polish, English
Manufacturer / Brand:	DAHUA
Guarantee:	5 years



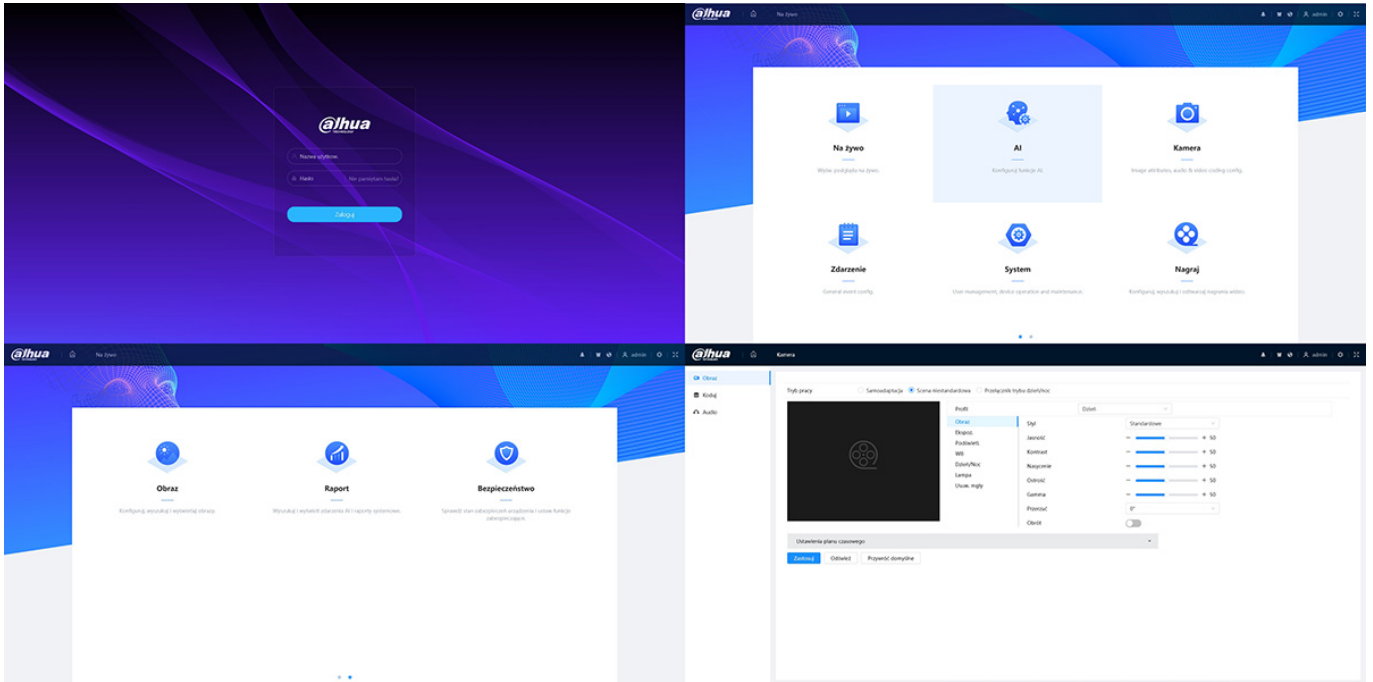




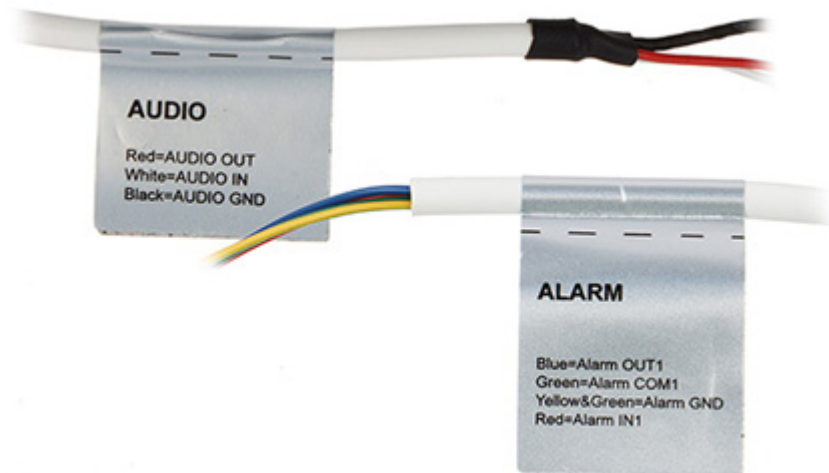


Presentation of the TiOC technology used in the camera

Example captures of device interface



See how to initialize DAHUA cameras





PACKAGE

Dimensions (L x W x H): 0x0x0 mm	Gross Weight: 0 kg
----------------------------------	--------------------