



User Manual

Code: IPC3635SS-ADF28KMC-I1-BLACK
IP CAMERA **IPC3635SS-ADF28KMC-I1-BLACK** Tri-Guard - 5 Mpx 2.8 mm UNIVIEW

Warning!

Please read the user manual included in this work as it contains important information related with safety of installation and use of the device.

Only persons who read the user manual may use the device.

The user manual must be kept because it may be required in the future. The device is to be used exclusively for purposes specified in this user manual.

The device must be unpacked prior to starting-up. After removing the packaging make sure the device is in working order. If the product has defects, it should not be used until it is repaired.

The product is intended for use at home and commercial use and may not be used for other than intended use.

The manufacturer is not liable for damages resulting from not adhering to the rules contained in the user manual, therefore, we recommend to follow the aforementioned safety rules for operation and maintenance of the device. In this way you will ensure yourself safety and avoid causing damage to the device.

The manufacturer and the supplier are not liable for losses or damages arising out of the product, including financial or intangible losses, loss of profits, income, data, pleasure from use of the product or other products related with it - indirect, incidental or consequential loss or damage. The above provisions apply whether the loss or damage concerns:

1. Deterioration of quality or the lack of operation of the products or products related with it due to damage as well as the lack of access to the product when it is undergoing repair, which results in stoppage the loss of user's time or a break in business activity;
2. Improper results of operation of the product or products related with it;
3. It applies to losses and damages according to any legal category, including negligence and other losses, termination of a contract, expressed or implied guarantee and strict liability (even if the manufacturer or the supplier was notified about the possibility of occurrence of such damages).

Safety measures:

Particular attention at designing was directed to quality standards of the device where ensuring safety of operation is the most important factor.

The device must be secured against contact with caustic, staining and viscous fluids.

The device was designed in such a way that it restarts operation when power supply is restored after a break.

Attention! We recommend using protections to further protect the device from possible overvoltages in installations. Surge protectors are effective protection against accidental pass to the device voltages higher than the rated. Damages caused by pass the voltages higher than specified in manual, are not under warranty.

Turn off the device before transporting it.

Prior to connecting the device to a power source check whether the supplied voltage is consistent with rated voltage specified in the user manual.

Proper product disposal:

A marking of a crossed out waste bin indicates that the product may not be disposed together with other household waste in the entire EU. To avoid possible damage to the natural environment of health due to uncontrolled waste disposal, therefore, it should be handed over for recycling, propagating in this way sustainable use of natural resources.

To return a worn-out product, use a collection and disposal system of this type of equipment or contact a seller from whom it was purchased. He will then be recycled in an environmentally-friendly way.

IP camera with efficient Ultra 265 image compression algorithm for clear and smooth video streaming at maximal resolution of 5 Mpx.

PoE powering possibility, compatible with the 802.3af standard makes the device more universal and easier to install. The range of IR illumination according to the manufacturer data, depends on outer conditions (visibility - air transparency, environment, wall colors ie. scene reflectance).

Camera equipped with Tri-Guard technology, which allows you to obtain a clear color image even at night and has the function of active audio-visual deterrence in combination with AI artificial intelligence functions.



Standard:	IP
Resolution:	2880 x 1620 - 5 Mpx , 2560 x 1440 - 3.7 Mpx , 2304 x 1296 - 3 Mpx , 1920 x 1080 - 1080p
Sensor:	1/2.7 " Progressive Scan CMOS
Lens:	2.8 mm
View angle:	113 °
White light LED illuminator range:	30 m





User Manual

Code: IPC3635SS-ADF28KMC-I1-BLACK
IP CAMERA **IPC3635SS-ADF28KMC-I1-BLACK** Tri-Guard - 5 Mpx 2.8 mm UNIVIEW

Range of IR illumination:	30 m
S/N ratio:	> 56 dB
Memory card slot:	Micro SD card support up to 512GB
Image compression method:	Ultra 265 / H.265 / H.264 / MJPEG
Alarm inputs / outputs:	—
Audio:	<ul style="list-style-type: none">• Microphone built-in,• Speaker built-in• Audio transmission via network• Audio detection
Main stream frame rate:	25 fps @ 5 Mpx
Network interface:	10/100 Base-TX (RJ-45)
WEB Server:	Built-in
Max. number of on-line users:	32
ONVIF:	✓
Mobile phones support:	Access by a cloud (P2P) <ul style="list-style-type: none">• Android: UNV-Link free application• iOS (iPhone): UNV-Link free application
Default IP address:	DHCP or 192.168.1.13
Default admin user / password:	admin / 123456
Web browser access ports:	80, 554
PC client access ports:	Port no.: 80 or access by a cloud (P2P) - PC: EZStation free application
Mobile client access ports:	80
ONVIF port:	80
RTSP URL:	rtsp://192.168.1.13:554/unicast/c1/s0/live - Main stream rtsp://192.168.1.13:554/unicast/c1/s1/live - Sub stream
Intelligent Image Analysis:	<ul style="list-style-type: none">• crossing the line (tripwire)• intrusion• entering the marked area• leaving the marked area• crowd gathering estimation• people counting• face detection



User Manual

Code: IPC3635SS-ADF28KMC-I1-BLACK
IP CAMERA **IPC3635SS-ADF28KMC-I1-BLACK** Tri-Guard - 5 Mpx 2.8 mm UNIVIEW

Main features:	<ul style="list-style-type: none">• WDR - 130 dB - Wide Dynamic Range• 2D-DNR, 3D-DNR - Digital Noise Reduction• Active deterrence function - Active intrusion deterrence works by blinking blue and red light and siren sound• F-DNR (Defog) - Reduction of image noise caused by precipitation• ANR - Automatic Network Replenishment allows to save image to the card when the network connection with DVR is break (network failure) and next synchronize its• NAS - Network Attached Storage support• BLC/HLC - Back Light / High Light Compensation• Auto White Balance• ROI - improve the quality of selected parts of image• Possibility to change the resolution, quality and bit rate• Sharpness - sharper image outlines• Corridor mode - useful for monitoring corridors, entrance gates and narrow rooms• Privacy zones - max. 4• Motion detection with human/vehicle silhouette recognition• Overvoltage protection : 4 kV
Power supply:	<ul style="list-style-type: none">• PoE (802.3af),• 12 V DC / 625 mA
Power consumption:	≤ 7.5 W
Housing:	Dome, Metal
Color:	Black
"Index of Protection":	IP67
Mechanical protection class:	—
Operation temp:	-30 °C ... 60 °C
Weight:	0.69 kg
Dimensions:	Ø 110 x 95 mm
Supported languages:	Polish, English, Czech, Spanish, Dutch, French, German, Portuguese, Slovak, Hungarian, Italian
Manufacturer / Brand:	UNIVIEW
Guarantee:	3 years



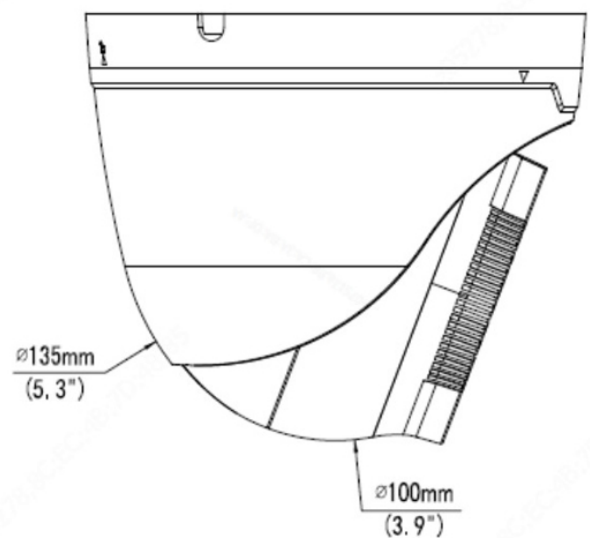
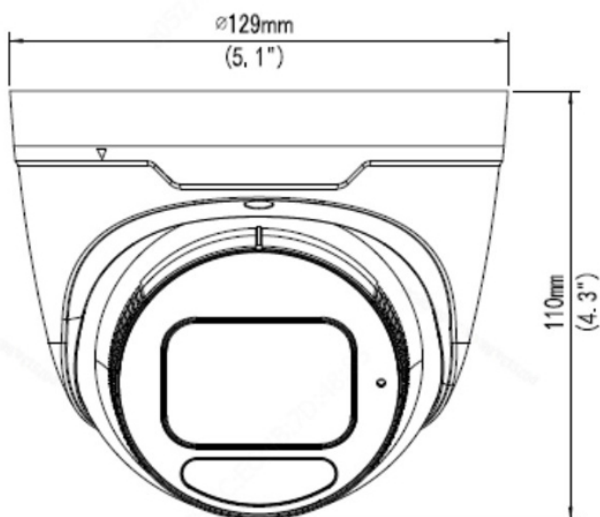




User Manual

Code: IPC3635SS-ADF28KMC-I1-BLACK
IP CAMERA **IPC3635SS-ADF28KMC-I1-BLACK** Tri-Guard - 5 Mpx 2.8 mm UNIVIEW









User Manual

Code: IPC3635SS-ADF28KMC-I1-BLACK
IP CAMERA **IPC3635SS-ADF28KMC-I1-BLACK** Tri-Guard - 5 Mpx 2.8 mm UNIVIEW

PACKAGE

Dimensions (L x W x H): 0x0x0 mm	Gross Weight: 0 kg
----------------------------------	--------------------